

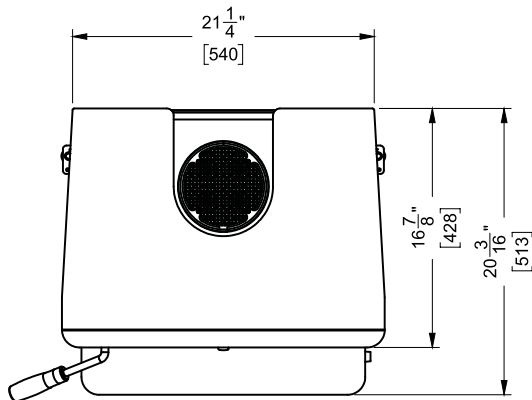
Classic™ I1150 Wood Insert

Model	I1150
Maximum Cordwood BTU's	55,000 BTU's
EPA g/hr	1.7 g/hr
Efficiency (EPA HHV)*	70%
Efficiency (EPA LHV)	75%
Flue Size	6" (152mm)
US Biomass Tax Rebate Eligible	No
Maximum Log Size	18" (457 mm)
Firebox Size	0.98 cu.ft.

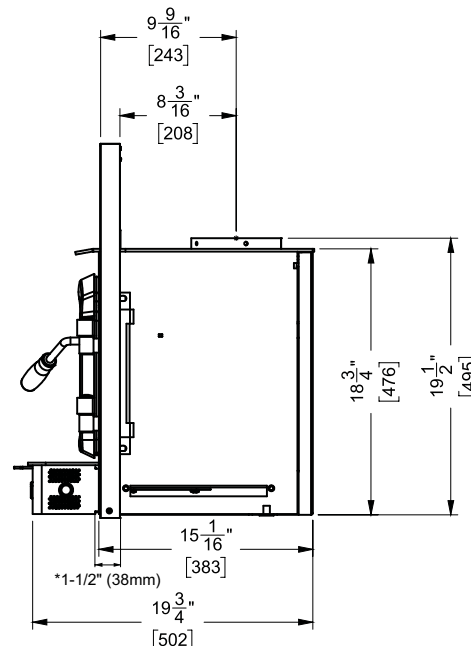
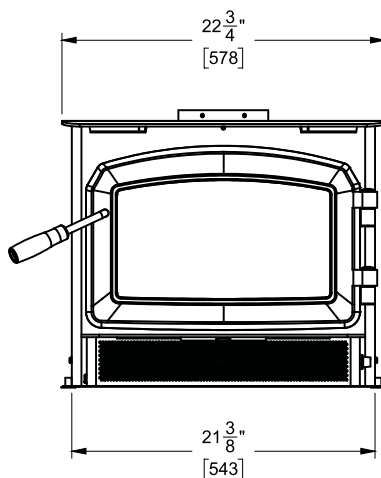
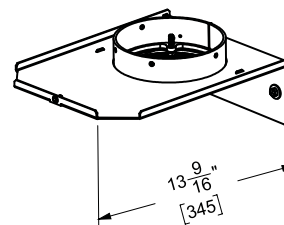
*US Biomass Tax Rebate eligibility is based on the HHV value being greater than or equal to 75%.



DIMENSIONS WITH STANDARD FLUE ADAPTOR



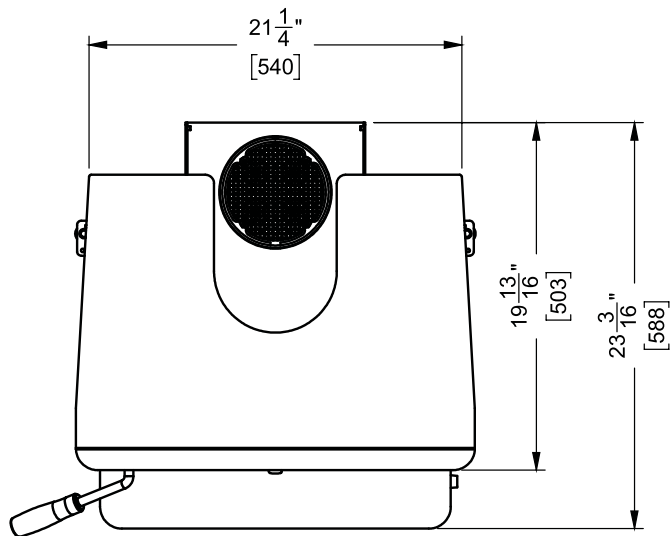
6" (152mm) Diameter
STANDARD FLUE ADAPTOR



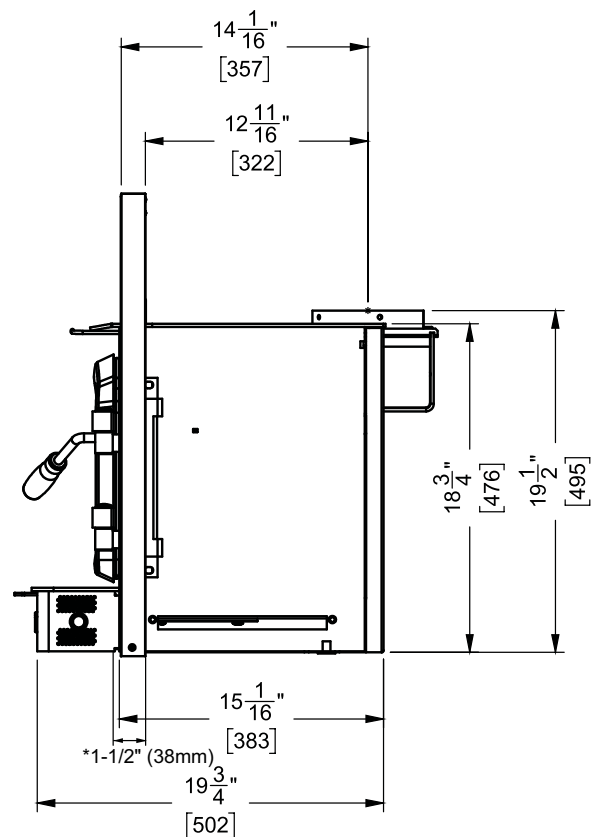
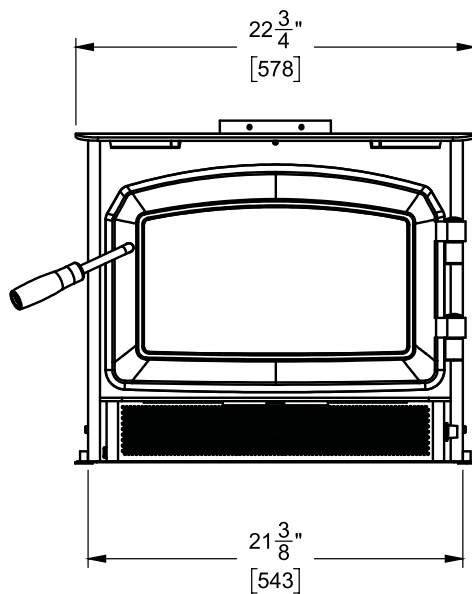
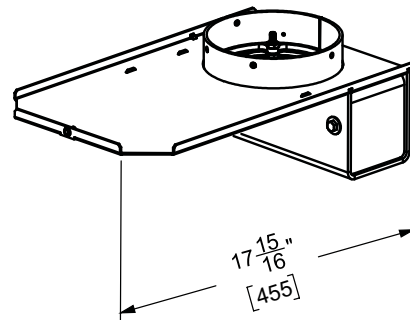
*Measurement from back of faceplate to fuel door opening

Regency Inserts are designed to use either a 5.5" (140mm) or 6" (152mm) flue.

DIMENSIONS WITH OFFSET FLUE ADAPTOR



6" (152mm) Diameter
OFFSET FLUE ADAPTOR



*Measurement from back of faceplate to fuel door opening

Regency Inserts are designed to use either a 5.5" (140mm) or 6" (152mm) flue.

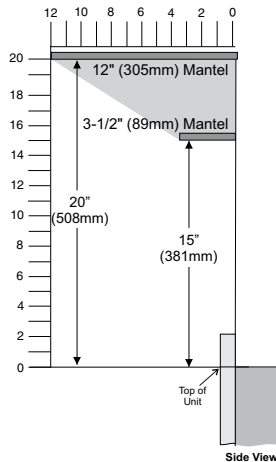
CLEARANCES

MASONRY FIREPLACE CLEARANCES

The minimum required clearances to combustible materials when installed into a masonry fireplace are listed below.

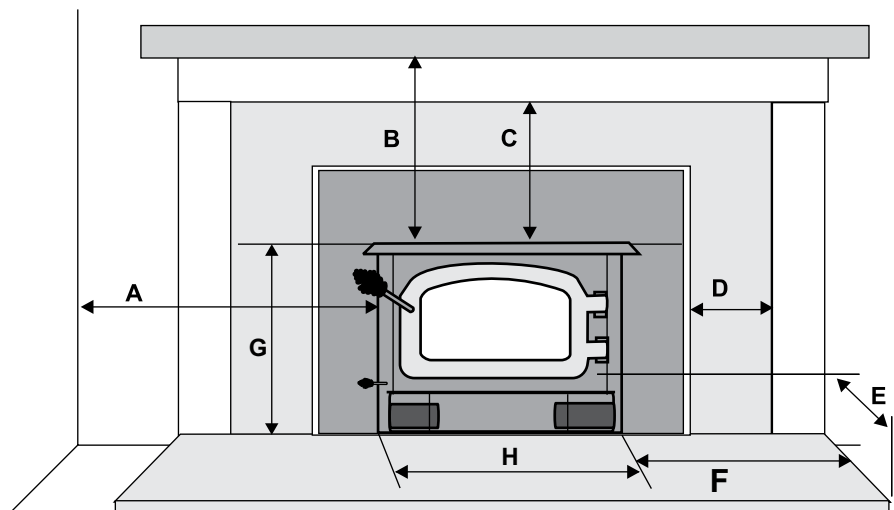
Unit I1150	Adjacent Side Wall (to Side) A	Mantel ** (to Top of Unit) B	Top Facing (to Top of Unit) C	Side Facing D	Minimum Hearth Extension* E	Minimum Hearth Side Extension* F	To Top of Unit (Reference Dimension only) G	To Side of Unit (Reference Dimension only) H
	15" (381mm)	15" (381mm) for 3-1/2" (89mm) mantel	14" (355mm)	1/2" (13mm) to side surround	16" (406mm) USA 18" (457mm) Canada	8" (203mm)	18-3/4" (476mm)	21-3/8" (543 mm)
		20" (508mm) for 12" (305mm) mantel						

Note: Side and Top facing is a maximum of 1.5" thick.



Clearances are critical.

**Mantel can be installed anywhere in shaded area or higher using the above scale.



Clearance Diagram for installations

FIREPLACE SPECIFICATIONS

Your fireplace opening requires the following minimum sizes:

Height:	19" (483mm)
Width:	23" (584mm)
Depth:	
(w/ standard flue adaptor)	13-3/4" (349mm)
(w/ offset flue adaptor)	16-1/2" (419mm)

Two faceplates are available to seal the fireplace opening:

Standard	38" (965mm)W x 26-3/8" (670 mm) H
Override	44" (1118mm) W x 30-3/8" (771mm) H

*Floor Protection

Thermal insulation/protection with a R value of 1.4 at a distance of 18" from door opening is required for Canada and 16" for USA.

If unit raised minimum 4.5" from hearth, no thermal protection is required.

Please check to ensure that your floor protection and hearth will meet the standards for clearance to combustibles. Your hearth extension must be made from a non-combustible material. Extending 16" for US and 18" for Canada—measured from the fuel loading door opening.

F measurement (minimum hearth extension) is taken from the side of the appliance for both U.S.A/Canada.

INSTALLATION INTO A MASONRY FIREPLACE

Regency inserts are constructed with the highest quality materials and assembled under strict quality control procedures that ensure years of trouble free and reliable performance.

It is important that you read this manual thoroughly and fully understand the installation and operating procedures. Failure to follow instructions may result in property damage, bodily injury or even death. The more you understand the way your Regency Insert operates, the more enjoyment you will experience from knowing that your unit is operating at peak performance.

WARNING: The room heater shall not be installed in a factory-built fireplace.

BEFORE INSTALLING YOUR INSERT

1. Read all instructions before installing and using your fireplace insert. Install and use only in accordance with manufacturer's installation and operating instructions.
2. Check your local building codes - Building Inspection Department. You may require a **permit before installing your insert. Be aware that local codes and regulations may override some items in the manual.**
WARNING: Careless installation is the major cause of safety hazard. Check all local building and safety codes before installation of unit.
3. Notify your home insurance company that you plan to install a fireplace insert.
4. Your fireplace insert is heavy and requires two or more people to move it safely. The insert and surrounding structure can be badly damaged by mishandling.
5. If your existing fireplace damper control will become inaccessible once you have installed your Regency Insert, you should either remove or secure it in the open position.
6. Inspect your fireplace and chimney prior to installing your insert to determine that it is free from cracks, loose mortar or other signs of damage. If repairs are required, they should be completed before installing your insert. Do not remove bricks or mortar from your masonry fireplace.
7. Do not connect the insert to a chimney flue servicing another appliance or an air distribution duct.

When referencing installation or connection to masonry fireplaces or chimneys, the masonry construction must or shall be code complying.

CHIMNEY SPECIFICATIONS

Before installing, check and clean your chimney system thoroughly. If in doubt about its condition, seek professional advice. Your Regency Insert is designed for installation into a masonry fireplace that is constructed in accordance with the requirements of "The Standard for Chimneys, Fireplaces, Vents, and Solid Fuel Burning Appliance", N.F.P.A. 211, the National Building Code of Canada, or the applicable local code requirements.

The appliance, when installed, must be electrically grounded in accordance with local codes or, in the absence of local codes, with the National Electrical Code, ANSI/NFPA 70, or the Canadian Electrical code, CSA C22.1.

Regency Inserts are designed to use either a 5.5" (140mm) or 6" (152mm) flue.

ULC628-2022 - Canada

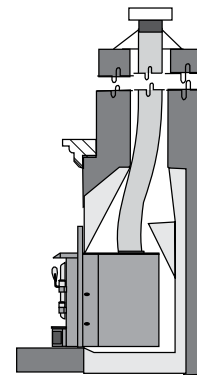
This fireplace insert must be installed with a continuous chimney liner of 5.5 or 6 inch diameter extending from the fireplace insert to the top of the chimney. The chimney liner must conform to the class 3 requirements of CAN/ULS-S635 Standard for lining systems for existing Masonry or factory built chimneys and vents or to the requirements of CAN/ULC-S640, Standard for lining systems for new masonry chimneys.

UL1482-2022 - U.S.A

A chimney complying with the requirement for type HT chimneys in the standard for chimneys, factory built residential and building heating appliance UL103 or a code approved masonry chimney liner with a flue liner. This fireplace insert must be installed with a continuous chimney liner of 5.5 or 6 inch diameter extending from the fireplace insert to the top of the chimney. When this room heater is not properly installed, a house fire may result. To reduce the risk of fire follow the installation instructions. Contact local building or fire official as about restrictions and installation requirements in your area.

DRAFT

Draft is the force which moves air from the appliance up through the chimney. The amount of draft in your chimney depends on the length of the chimney, local geography, nearby obstructions and other factors. Too much draft may cause excessive temperatures in the appliance and may cause damage. An uncontrollable burn or excessive temperature indicates excessive draft. Inadequate draft may cause back puffing into the room and plugging of the chimney. Inadequate draft will cause the appliance to leak smoke into the room through appliance and chimney connector joints. Ensure the heater is installed in areas that are not too close to neighbors or in valleys that would cause unhealthy air quality or nuisance conditions.



Recommended chimney height from top of flue collar:
Minimum 15 feet (4.6 meters)

NOTE If the fireplace has been modified to accommodate a fireplace liner, the installer is to attach the metal tag to the fireplace using screws or nails, in a location readily visible should the fireplace insert be removed. A metal tag is supplied with this wood insert.

IMPORTANT:

Smoke and CO Detectors:

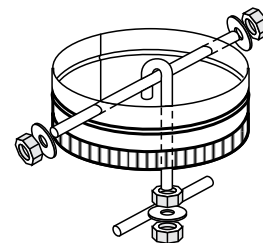
Make sure your home has a working smoke and CO detector, especially near any bedrooms. We recommend having a smoke and CO detector in the same room as the wood appliance for additional safety. Location of both detectors should be chosen wisely to avoid false alarms when reloading the appliance.

Fire Extinguisher:

A fire extinguisher should be installed in the home. The location of the fire extinguisher should be known by all family members.

OPTIONAL FLUE CONNECTOR KIT

The Straight Flue Adaptor (Part #846-504) shown here, may be used to produce a secure connection between your flue connector and the insert collar. Detailed installation instructions are included with the kit.



The following may also be purchased separately if required to complete the install:

- 846-506 6" Flue Adaptor-30 degree
- 846-508 6" Flue Adaptor-45 degree
- 948-412/P 6" Flue Offset Adaptor (offsets back 4")
- 846-527 Flue Connector Kit