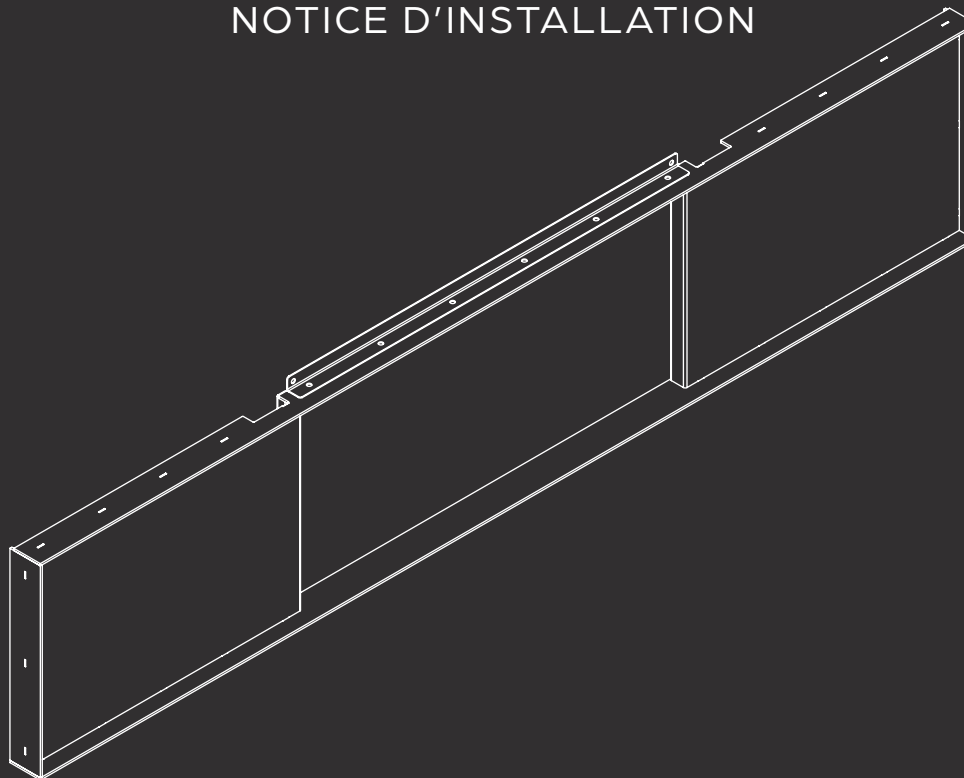


SF8 FRONT PANEL STÛV 21

NOTICE D'INSTALLATION



REQUIRED MATERIAL



Flat screwdriver



Hammer



Level



Perceuse-visseuse



Torx 25 bit



10mm
hex socket



No. 2
square bit



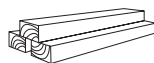
No. 8
wood screw



Cement board



Floor and wall
finishing



Construction
wood

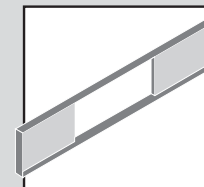


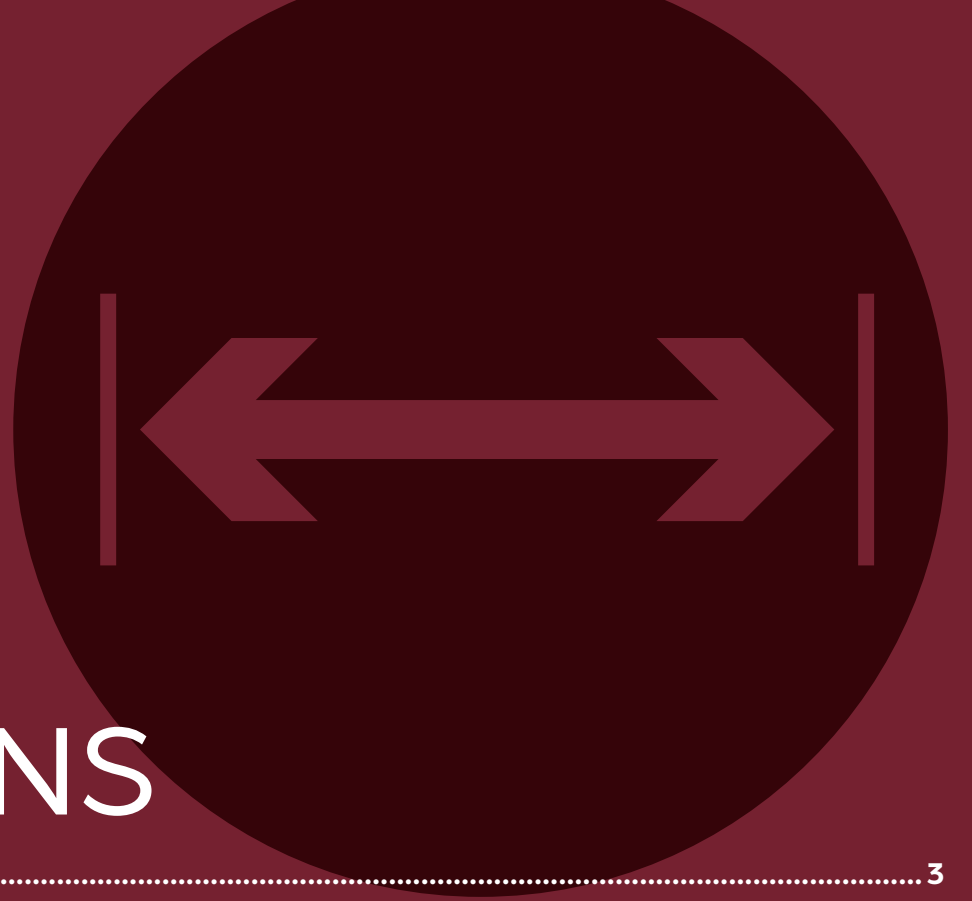
Drywall board



IMPORTANT

This document is an appendix to the **Stûv 21** installation manual. For a successful installation, it is important to follow these instructions carefully. Look for this symbol in the **Stûv 21** installation manual to know when to refer to this appendix.





1

DIMENSIONS

1.1	RECOMMENDATIONS	3
1.2	OVERALL DIMENSIONS	3
1.3	CHARACTERISTICS OF THE FRAME	4
1.4	NONCOMBUSTIBLE MATERIALS	4

1.1 RECOMMENDATIONS

1.2 OVERALL DIMENSIONS

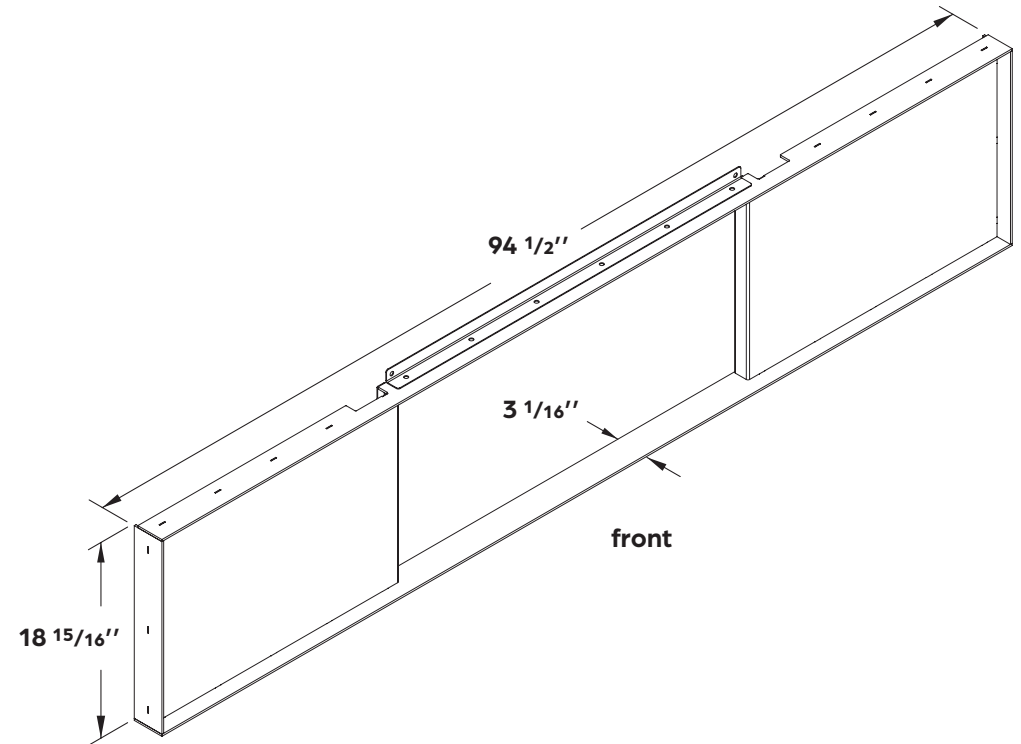


! ATTENTION

- 1 The painting on the front panel is fragile. Handle with care and be careful with accessories and tools that could damage the paint.
- 2 Follow all recommendations written in the Stûv 21 instruction manual.
- 3 Install the front panel before finishing the wall. It will facilitate cutting of the finishing material to the right dimensions.
- 4 The ideal positioning is with a 1" protusion at the front. This prevents the heat from getting too close to the wall and hides any imperfections in the brickwork.
- 5 This frame is not a lintel. It is not designed to bear weight.
- 6 The holes in the frame's wing pieces are not for attaching the frame. Never screw anything into or onto the fireplace.

! NOTE

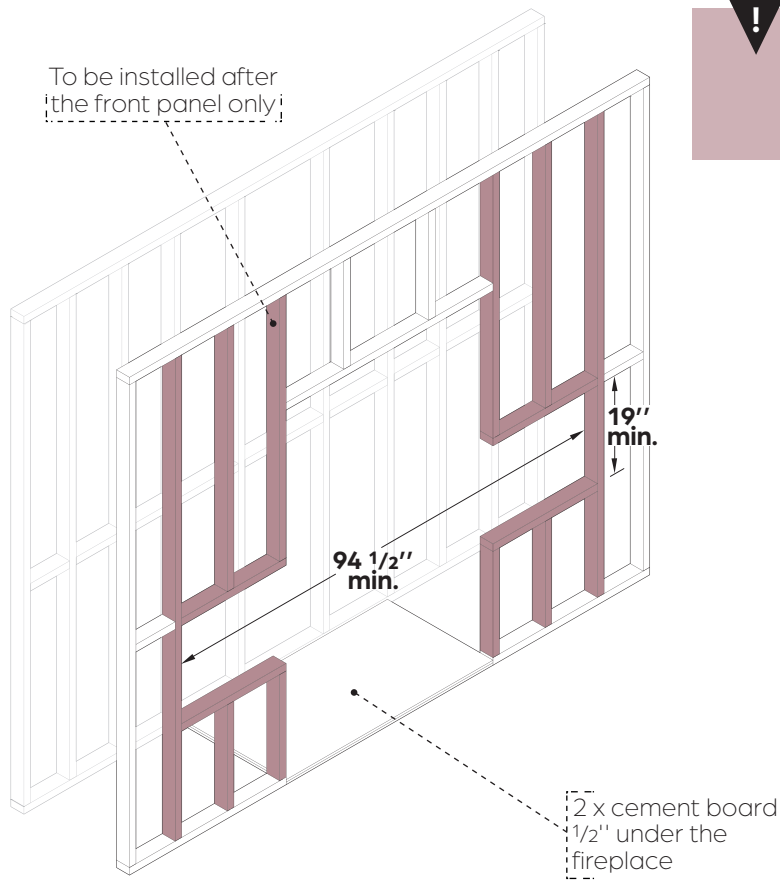
This front panel has been designed to offer you maximum comfort and safety. If however you are in any way dissatisfied with the product, please contact your reseller.



The SF8 front panel is offered only for **Stûv 21-105** size. If you have a custom made panel in any other size than the 21-105, the above dimensions are inaccurate, you must validate dimensions before building the wall.

Please contact our customer service department for details.

1.3 CHARACTERISTICS OF THE FRAME



A part of the SF8 front panel is integrated within the wall. The wall frame must be modified so the panel may be inserted in the wall.



NOTE

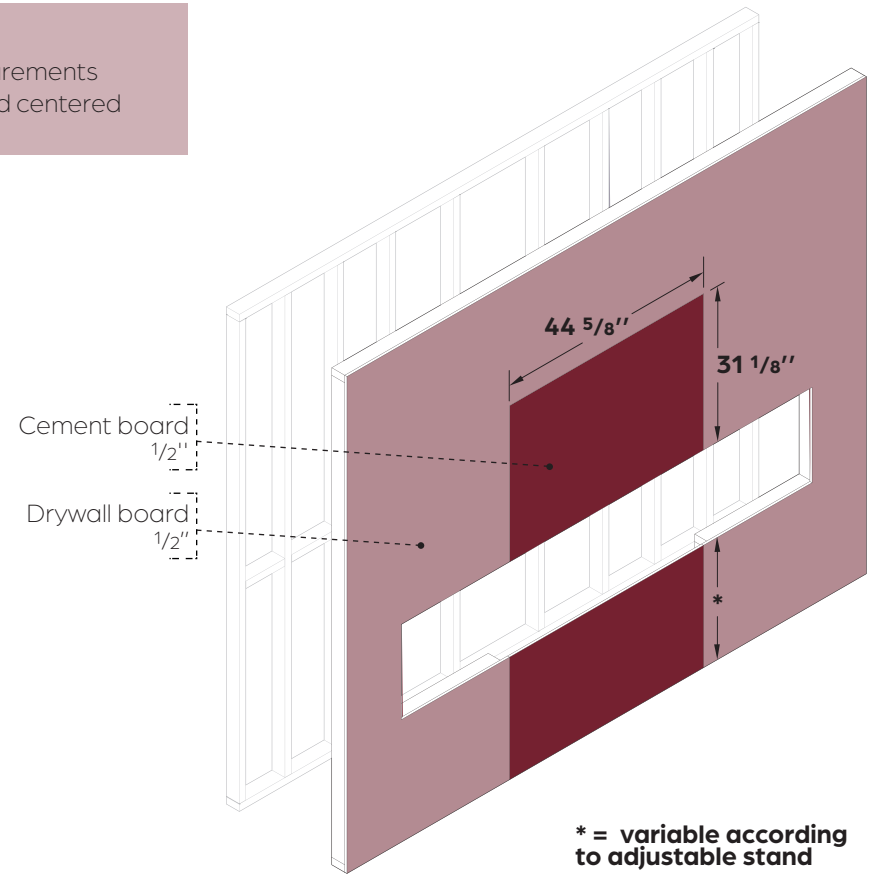
These are minimum measurements that must be respected and centered with the hearth.



NOTE

The front panel is not always perfectly leveled. We strongly recommend to add at least **1/4" of clearance** on the dimensions written on the images above

1.4 NONCOMBUSTIBLE MATERIALS



A noncombustible wall finishing may be installed on the cement board and the drywall board. Verify the depth of the wall finishing compared to the SF8 front panel.

If needed, adjust the depth of the fireplace. Make sure the surface area under the fireplace is always protected by a noncombustible material, such as two layers of cement board 1/2".

2

INSTALLATION



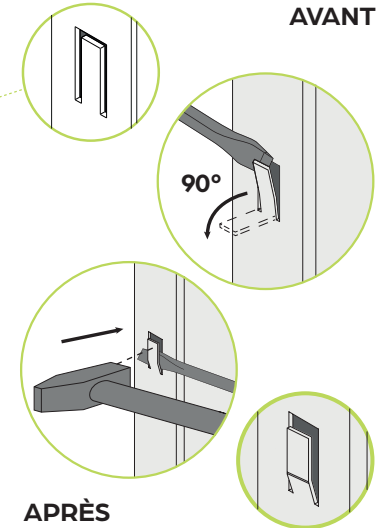
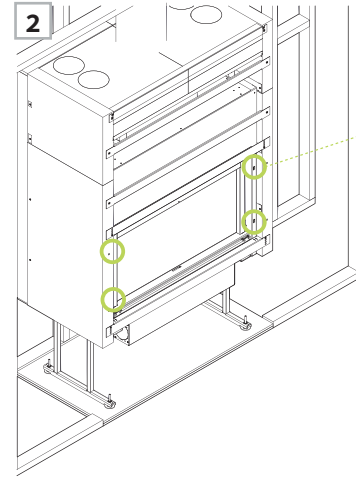
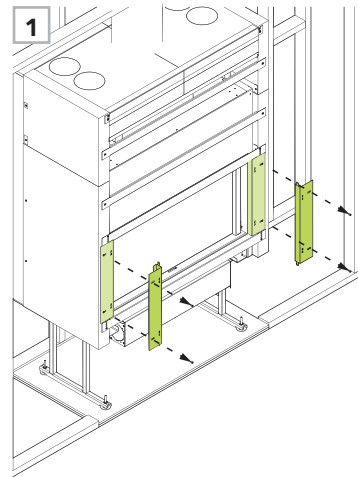


Please follow these instructions after the fireplace has been inserted into the wall, leveled and all connections to the chimney and convection system have been made and the framing has been done according to the characteristics on page 12.

Step 1 Remove vertical finishing trims around the hearth. Both vertical trims are no longer required.

Step 2 Locate all four precut slots on the front of the unit around the hearth and with the help of a flat screwdriver bend them to a 90° angle.

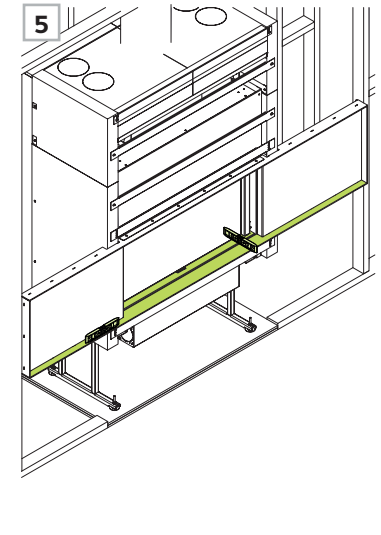
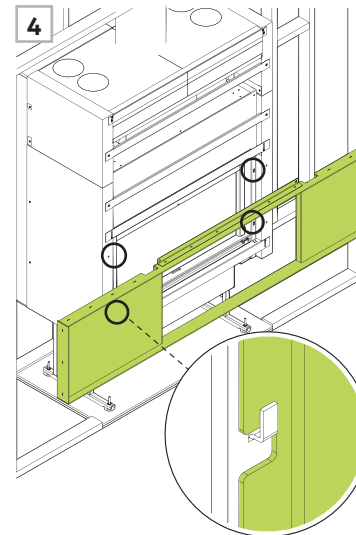
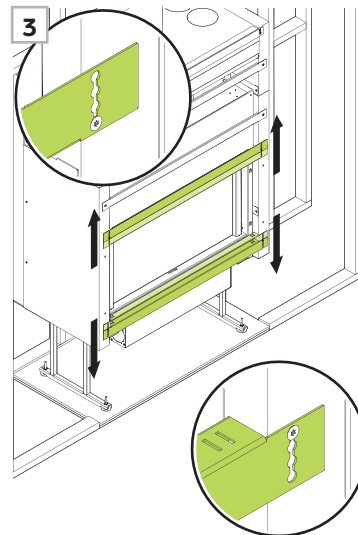
Then using a hammer, form 4 hooks.



Step 3 Unscrew and replace the horizontal finishing trims at the last slot. Tighten the screws.

Step 4 Carefully hang the front panel on the previously formed hooks. Paint is fragile.

Step 5 Using a level, check that the frame is flush with the Stûv 21 damper cover plate. Adjust the hooks gradually with a hammer until they align perfectly.

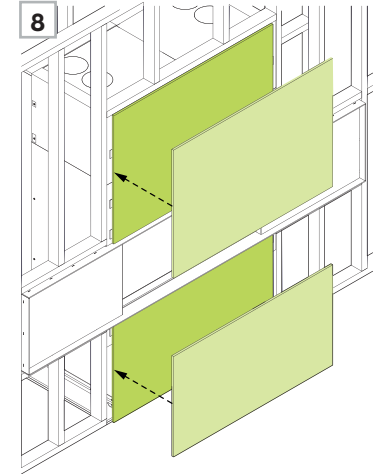
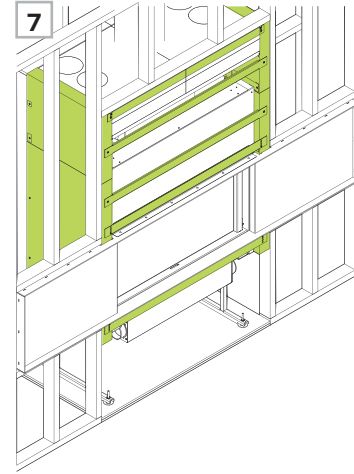
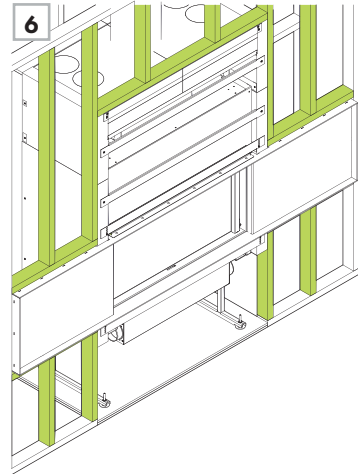




Step 6 Finish the wall framing around the SF8 front panel.

Step 7 Locate the finishing trims on the insulation shell, this is the only area where you can drill screws when installing your cement board.

Step 8 Cut two cement boards and install them flush above and below the frame.



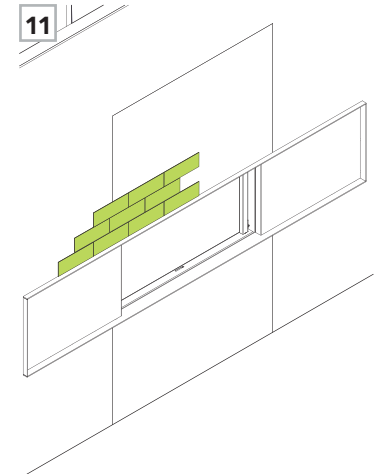
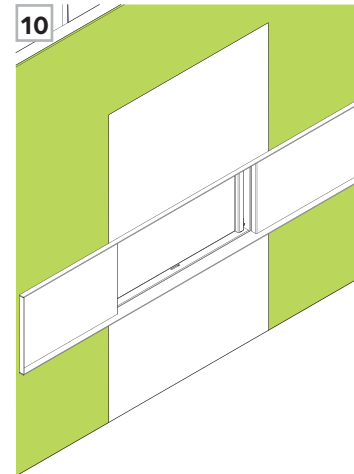
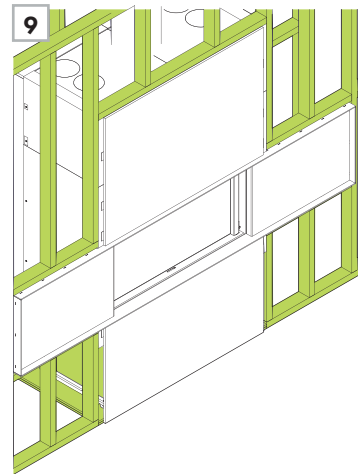
NOTE

Only the finishing trims and wall framing should be used to affix finishing materials. Do not drill any screws into the fireplace.

Step 9 Locate the wall frame, this is the only area where you can drill screws. This is where you take exact measurements for the SF8 front panel.

Step 10 Cut the drywall board to exact measurements and install it on the wall frame.

Step 11 Finish the installation with metal trims and high temperature plaster or any other **noncombustible** finishing material.





Stûv fireplaces are designed by:

Stûv sa – Belgique
stuv.com

Rue Jules Borbouse n°4 B-5170
Bois-de-Villers

And manufactured in North America by:

Stûv America inc. – Canada
stuvamerica.com

34, Boulevard de l'Aéroport
Bromont Qc Canada J2L 1S6

1-514-396-3463 | 1-866-487-7888