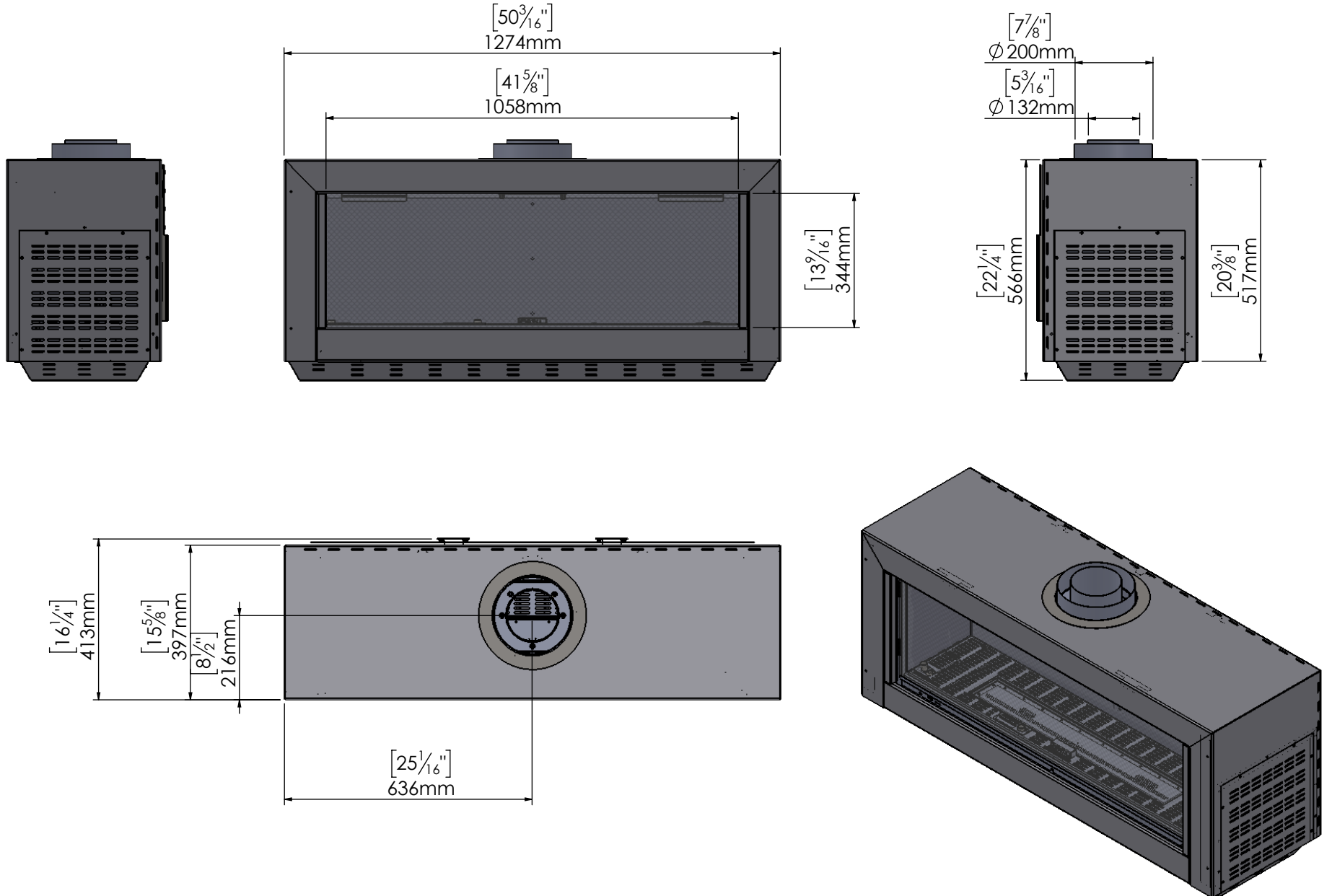
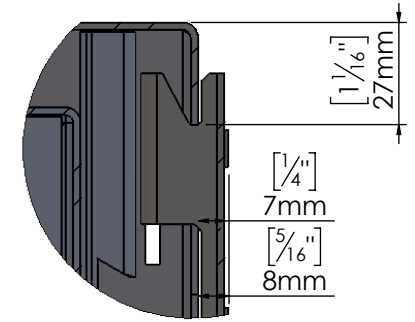


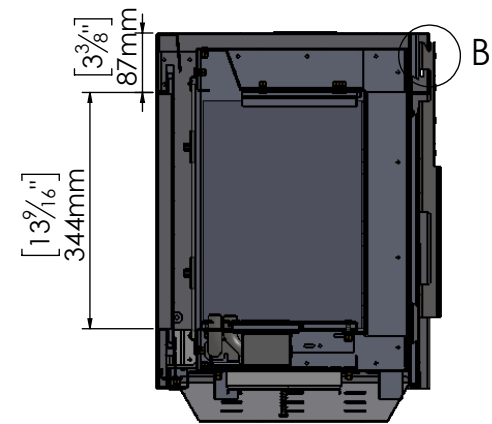
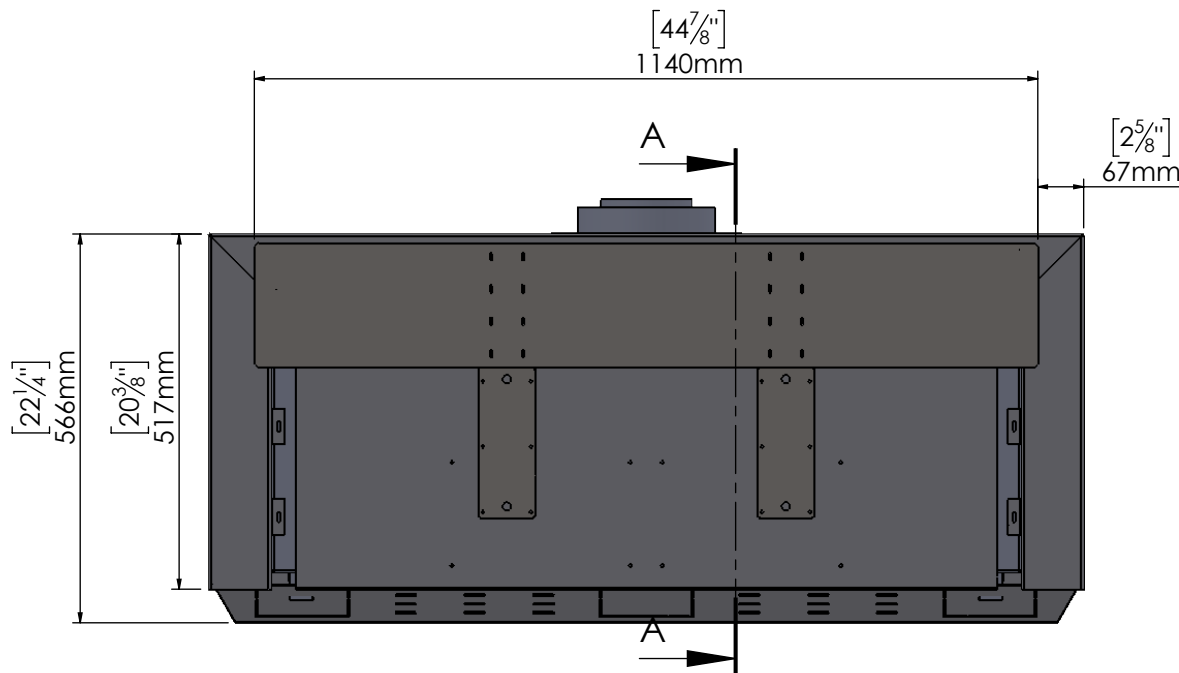
# Wilderness 110 Front Stand Alone Screen



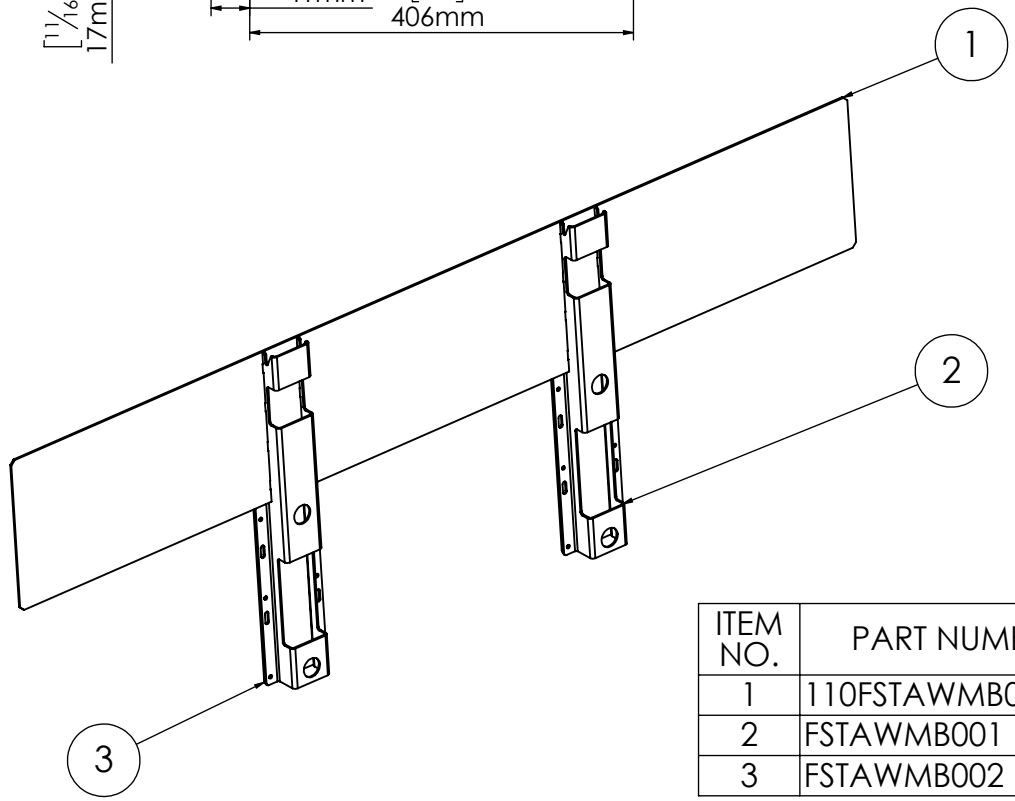
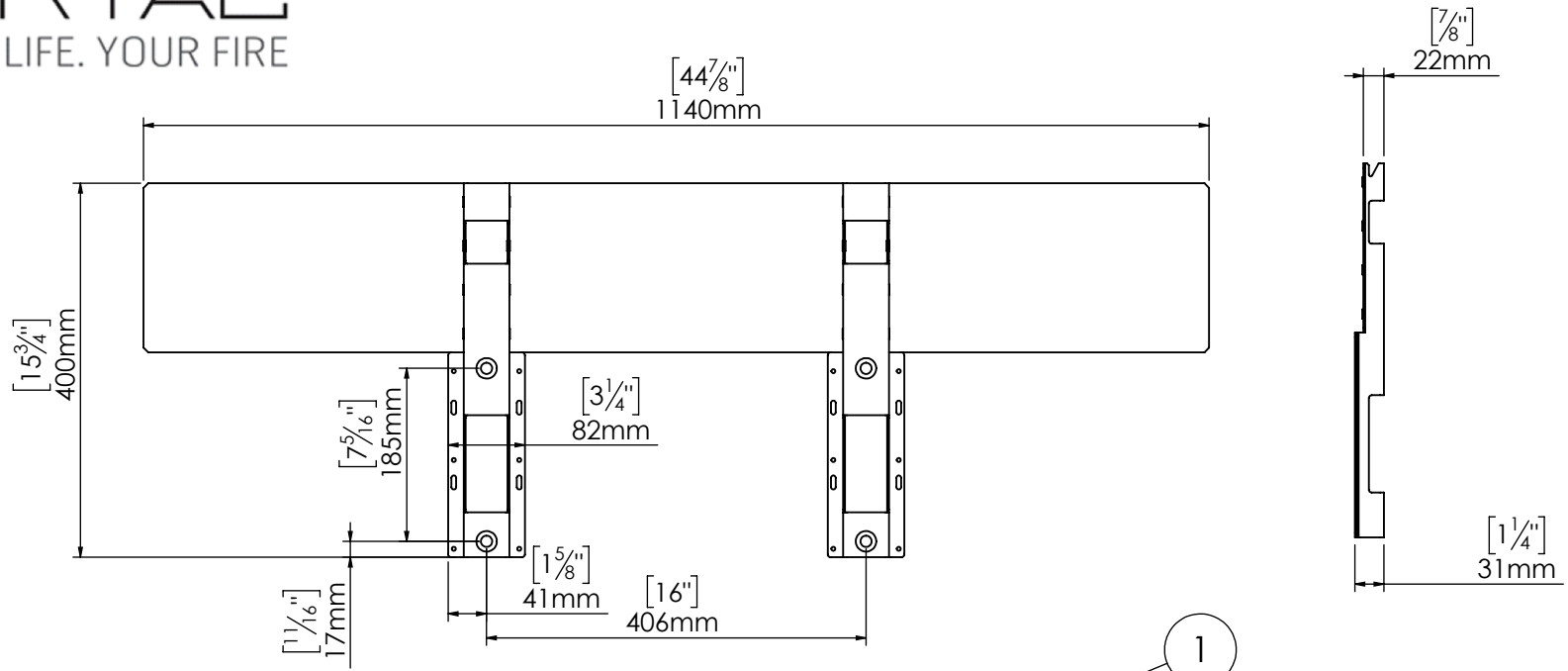
# Wilderness 110 Front Stand Alone Screen



DETAIL B  
SCALE 1 : 2



SECTION A-A  
SCALE 1 : 11



ITEM NO.	PART NUMBER	DESCRIPTION	QTY.
1	110FSTAWMB001	RADIATOR	1
2	FSTAWMB001	HOOK	2
3	FSTAWMB002	PLATE	2