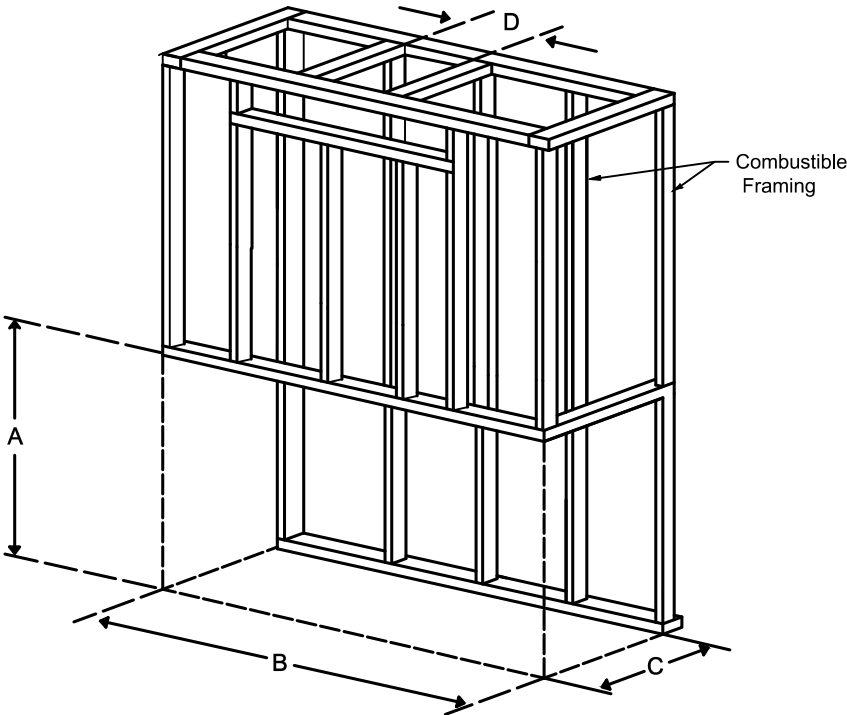


Framing Information: 44HH Three Sided (TS) (Screen & Double Glass)



Framing Dimensions



Model	A	B	C	D
44HH TS	49 1/2"	48 15/16"	21 5/8"	Refer to Vent Manufacturer's Firestop Dimensions

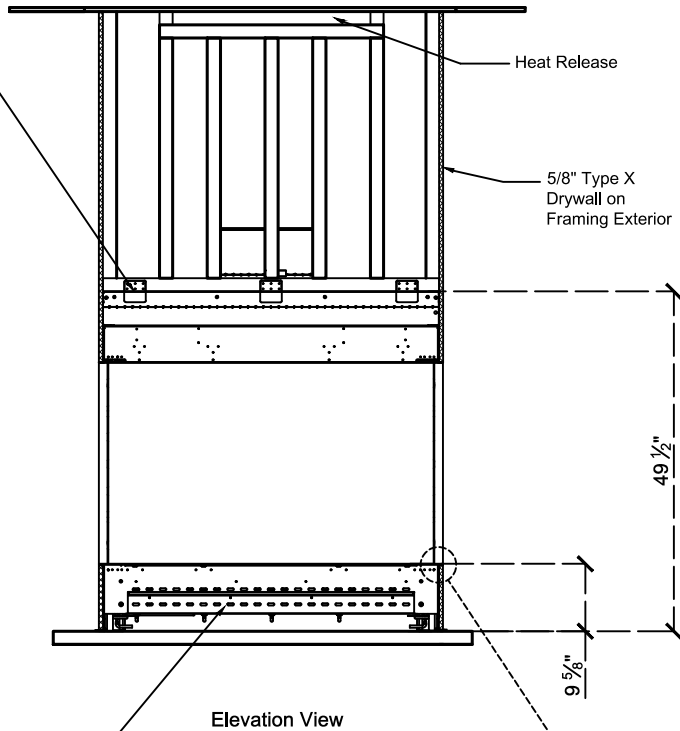
Note : 1. Drawings are not to Scale
 2. All dimensions in inches
 3. No weight can be transferred to the fireplace. ALL FRAMING MUST BE SELF-SUPPORTED.

Framing Information: 44HH Three Sided (TS) (Screen & Double Glass)

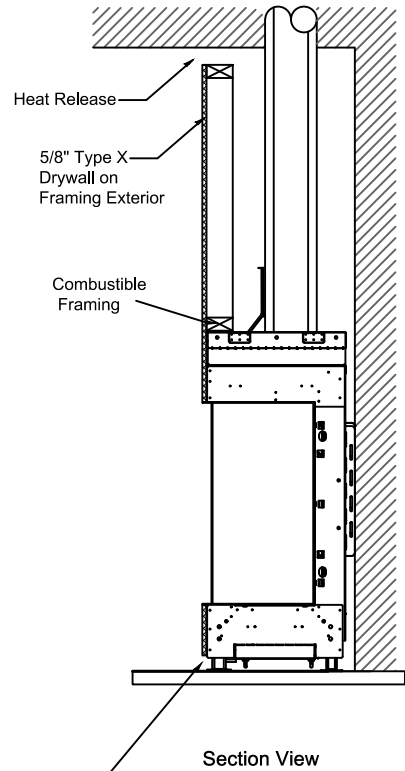
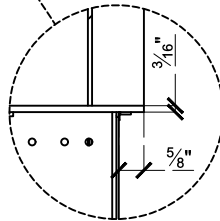


Framing Details

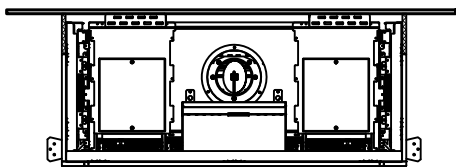
Nailing flanges fold up and connect to the framing.
ALL FRAMING MUST BE SELF-SUPPORTED.
 The fireplace must not bear any weight.



Add drywall nailer as needed.



Air Intake
 (required for double glass only)



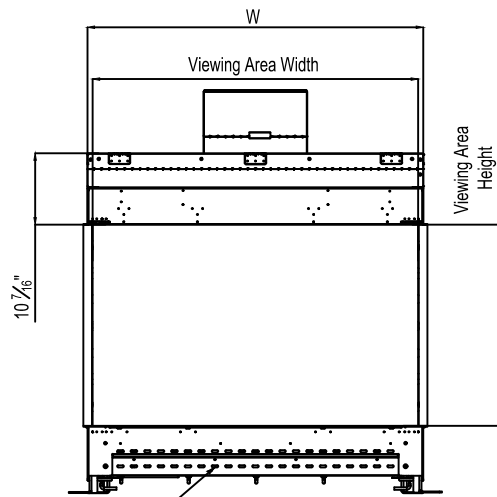
The valve can be moved 36" from the center of the fireplace in any direction

- Note :
1. Drawings are not to Scale
 2. All dimensions in inches
 3. No weight can be transferred to the fireplace. **ALL FRAMING MUST BE SELF-SUPPORTED.**

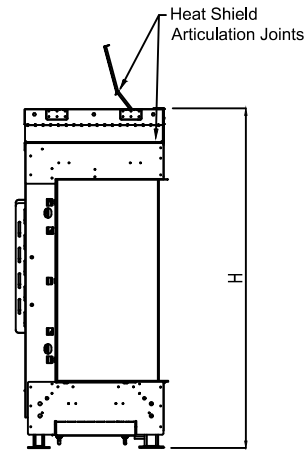
Framing Information: 44HH Three Sided (TS) (Screen & Double Glass)



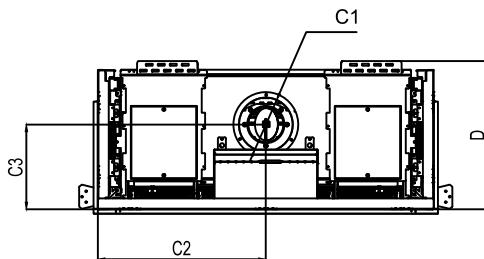
Fireplace Dimensions



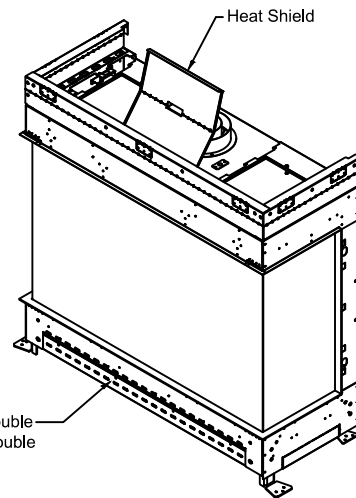
Movable Gas & Electrical Components
Front View



Side View



Top View



Protective Cover for double glass fans. Ships on double glass models only.

Model	(H) Height	(W) Width	(D) Depth	C1	C2	C3	Viewing Area	
							Front	Side
44HH TS	49 1/2"	48 15/16"	21 5/8"	7 7/8"	24 7/16"	12 5/16"	47 5/8" W X 29 1/2" H	14 13/16" W X 29 1/2" H

Note : 1. Drawings are not to Scale
2. All dimensions in inches