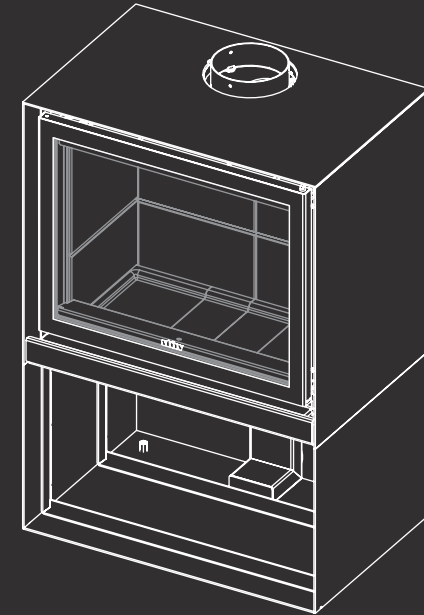
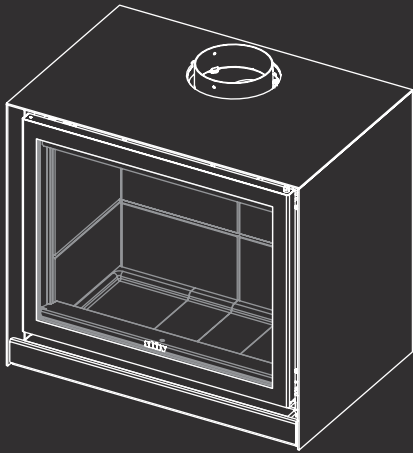


STÛV 16-CUBE & 16-H

INSTALLATION MANUAL

Keep these instructions for future reference



REQUIRED TOOLS



Knife with retractable blade



Measuring tape



Crowbar



Level



Impact drill



Flat screwdriver

REQUIRED HARDWARE



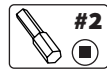
7 mm hex socket



8 mm hex socket



10 mm hex socket



No. 2 square bit



No. 2 Phillips bit



5 mm hex bit



Torx 20 bit

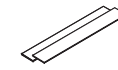


Torx 25 bit



Torx 30 bit

REQUIRED MATERIAL



Non-combustible floor finishing



Protective fabric or cardboard



Chimney kit



Black no. 10 x 1/2" self-drilling screw



Ø4" clamping collar and flexible duct (option)

THANK YOU!

Thank you for choosing a Stûv wood-burning stove! It has been designed to provide maximum pleasure, comfort and safety. The utmost care has been taken in manufacturing this product. If, despite this, you still find a flaw, please contact your dealer.

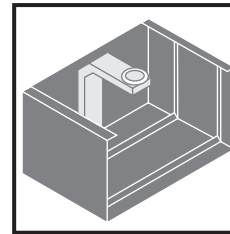


APPENDICES

This manual explains how to carry out a standard installation of a Stûv 16-cube and 16-H unit. To install the H base or the air damper, certain particularities, which are outlined in the additional manuals provided, must be followed as applicable. If the appendices are missing, contact our customer service department and request the manual(s) needed, mentioning the code under the icon(s) below.

Look for these symbols. They signal a change from the standard installation. It is very important to look through the installation manual and the additional manuals before getting started and to follow the instructions closely during installation to ensure that no steps are omitted.

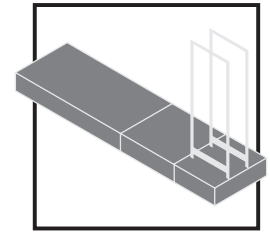
Keep all installation manuals provided close at hand to have all the information needed and to ensure proper and safe installation.



H BASE
9310400022



AIR DAMPER
9310400019



PODIUM SET
9310400038



IMPORTANT

Before installing this Stûv unit, contact the local authorities and/or your insurance company to obtain a building permit and inquire about all the requirements that need to be met.

For information on all the applicable regulatory requirements, contact your local fire department before starting the installation.

TABLE OF CONTENTS

1. CERTIFICATION



4

- 1.1 Certification 5
- 1.2 Technical Specifications 5
- 1.3 Marking Labels 6
- 1.4 Safety Instructions 7

2. COMPONENTS



8

- 2.1 List of Components 9
- 2.2 Air Intake Accessories 11

3. DIMENSIONS



12

- 3.1 Stûv 16-cube Dimensions 13
- 3.2 Stûv 16-H Dimensions 14
- 3.3 Clearance 15
- 3.4 Risk Area 17
- 3.4 Air Supply 18

4. INSTALLATION



20

- 4.1 Unpacking 21
- 4.2 Opening the Door 22
- 4.3 Separating the Cube Shell 23
- 4.4 Base Plate and Connection 24
- 4.5 Fastening the Cube Shell 26
- 4.6 Adjusting the Door 27

5. CHIMNEY



29

- 5.1 Dimensions and Certification 30
- 5.2 Typical Installation 31

6. USE



32

- 6.1 Fuel Selection 33
- 6.2 Starting the Fire 34
- 6.3 Reloading the Fire 36
- 6.4 Ash Removal 36

7. MAINTENANCE



37

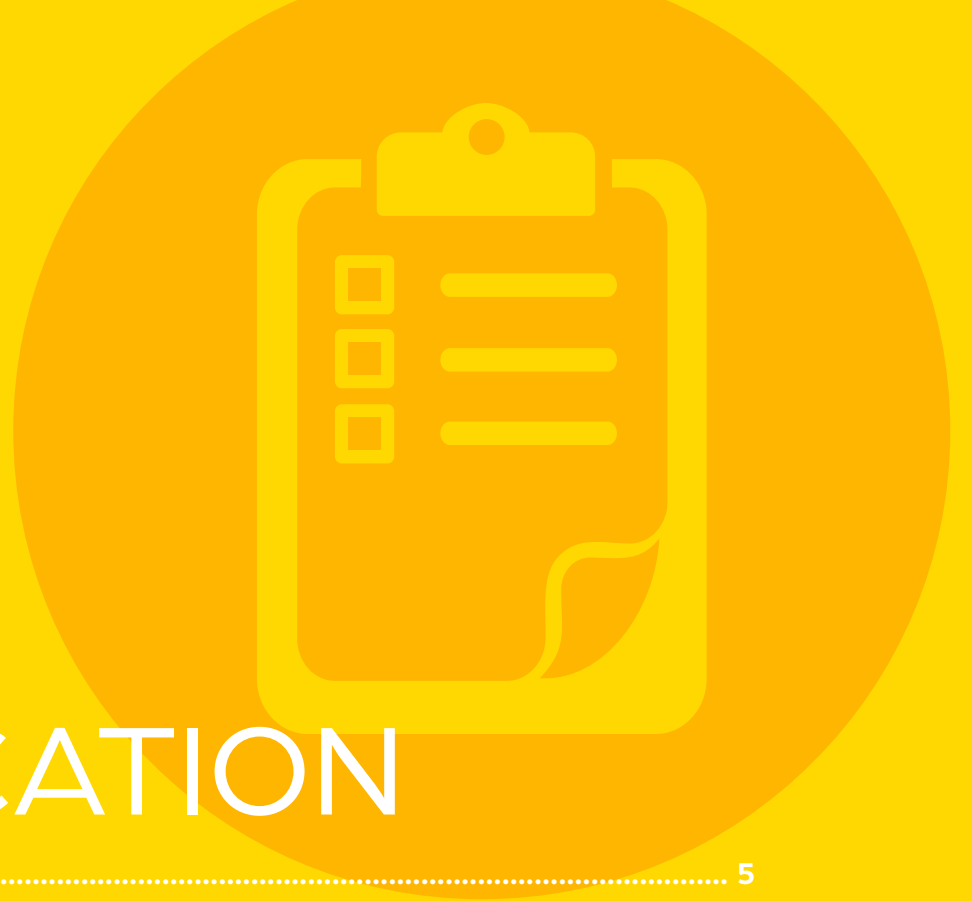
- 7.1 Regular Maintenance 38
- 7.2 Replacing Components 39
- 7.3 Creosote and Chimney-Sweeping 42

8. WARRANTY



43

- 8.1 Warranty Details 44
- 8.2 Warranty Form 45



1

CERTIFICATION

1.1	CERTIFICATION	5
1.2	TECHNICAL SPECIFICATIONS	5
1.3	MARKING LABELS	6
1.4	SAFETY INSTRUCTIONS	7

1.1 CERTIFICATION

16-58 & 16-68



16-78



Tested and certified by CSA
according to these standards:

**UL 1482 – 7th Edition & CAN/ULC-S627-21 4th Edition
CSA B415.1-22**

[16-58 cube/H & 16-68 cube/H] EPA 2020

[16-78 cube/H] EPA 2015 CRIB WOOD

6" ou 7" CHIMNEY : UL-103HT or ULC-S629

This wood heater must be installed in accordance with standard **CSA B365 (Canada) or N.F.P.A. 211 (United States)**, the Installation Code for Solid-Fuel-Burning Appliances and Equipment, the applicable building code and standards applicable to the structure in which the insert will be installed.

The instructions for the installation of this wood heater comply with the above-mentioned standards. They must be closely followed to eliminate the risk of serious problems.

This Stûv unit must be installed by a qualified professional. Improper installation could result in a fire.

To reduce the risk of fire, read this manual carefully before installing or using the wood heater. If the installation instructions are not followed and the wood heater is improperly installed, the risk of incident increases. This can result in fire, property damage, bodily injury and even death.

Keep these instructions for future reference.

NOTE

We strongly recommend that our products be installed and maintained by professionals certified by the Association des Professionnels du Chauffage if you are in Quebec or by Wood Energy Technical Training for the rest of Canada, and by the National Stove Institute in the United States.



1.2 TECHNICAL SPECIFICATIONS



STÛV 16-CUBE & 16-H	16-58	16-68	16-78
Average fine particle emission rate, in g/h and g/MJ (output)	1.47 g/h 0.058 g/MJ	1.94 g/h 0.089 g/MJ	3.1 g/h 0.111 g/MJ
Fine particle emission rate in first hour, in g/h (output)	2.49 g/h	4.37 g/h	5.63 g/h
Average efficiency of the appliance (%)	70.3%	61.6%	66.6%
Minimum heat output rate (BTU/h)	22,432*	24,080*	23,256*
Maximum heat output rate (BTU/h)	27,015*	24,818*	28,765*
Max. log length	17"	21"	25"
Stûv 16-cube weight	250 lb.	272 lb.	300 lb.
Stûv 16-H weight	332 lb.	362 lb.	396 lb.
Combustion chamber volume	1.59 cu. ft.	1.94 cu. ft.	2.19 cu. ft.
Wood consumption/H	1.87 kg/h	2.12 kg/h	2.16 kg/h
Tested fuel	Crib wood		

This manual describes the installation and operation of the Stûv 16-cube and 16-H wood heater. Models 16-58 and 16-68 meet the 2020 U.S. Environmental Protection Agency's crib wood emission limits for wood heaters sold after May 15, 2020.

*Value calculated under specific test conditions (calculated according to standard CSA B415.1). The results are calculated according to the wood's high calorific value.

Efficiency can be affected by the appliance's location in the building, the geographic location, outdoor temperatures and the wood used. See the **FUEL SELECTION** section for more information.



! WARNING

1. It is essential that this Stûv unit be installed by a qualified professional. For information on all the applicable regulatory requirements, contact the local fire department before beginning the work.
2. The instructions for the installation of this unit comply with the aforementioned standards. They must be closely followed to eliminate the risk of serious problems. Any use contrary to the installation manual is a violation of federal law.
3. Improper installation of this Stûv unit could result in a fire. To reduce the risk of fire, follow the installation instructions to the letter. Failure to follow the instructions in this manual may result in property damage, bodily injury and even death.
4. Any modifications made to this unit may pose a hazard and will void the warranty. Should repairs be necessary, use only Stûv replacement parts.
5. Combustible materials such as firewood, wet clothing, etc. placed too close to the unit could catch fire. Objects placed in front of the unit must be kept at a distance of at least 48" (4') from the unit's glass face.
6. We recommend storing solid fuel in a clean, dry place. Do not place this type of fuel within the risk area or in the loading/ash removal area.
7. Do not operate this appliance with the door open.
8. Never leave the stove unattended when the door is open. Always close the door after the ignition period.
9. Do not burn garbage, plastic, petroleum-based products, gasoline, rubber, industrial solvents, flammable liquids like naphtha and motor oil, paper, cardboard, wood extracted from salt water and dried, painted wood or any substance that emits dense fumes and strong odours.
10. Do not overfire the unit. Raising the temperature outside of the combustion chamber can result in a chimney fire.
11. Never use chemicals or other liquids such as gasoline, gasoline-based lantern fuel, kerosene, charcoal lighter fluid or similar liquids to start or fuel a fire in the stove. Keep all such liquids away from the unit while it is in operation.
12. Make sure the home is equipped with a smoke and carbon monoxide monitor kept near the stove to prevent carbon monoxide poisoning. We recommend keeping a type A or ABC fire extinguisher on hand in the event of a chimney fire.
13. Do not connect this appliance to a chimney pipe serving another appliance, or to a hot air distribution system.
14. This unit is hot when in use. Keep children, pets, clothing and furniture at a safe distance. Touching the appliance while it is in operation may cause burns.
15. Some parts of the stove can be very hot when operated at rated capacity. Do not allow the stove to heat to the point where parts become red.
16. Do not use a grate or other method to elevate the fuel. Burn firewood directly on the firebricks. Do not elevate the fire.
17. This appliance needs periodic inspections and maintenance for proper operation (minimum twice during the heating season).
18. Conduct regular maintenance of the stove as previously recommended.
19. Do not install this unit in a mobile home or in a transportable building.
20. The air inlets and outlets must remain unobstructed at all times.
21. The installation of the unit must comply with all local and national regulations.
22. Inspect and sweep the chimney frequently to ensure that it is in good condition. Creosote can build up quickly in certain operating conditions. Inspect and repair the chimney pipe as needed to ensure proper operation.
23. This wood heater has a manufacturer-set minimum low burn rate that must not be altered. It is against federal regulations to alter this setting or otherwise operate this wood heater in a manner inconsistent with operating instructions in this manual.
24. DO NOT INSTALL IN ANY FIREPLACE.

! IMPORTANT

This Stûv appliance must be registered to be covered by the warranty. Please refer to the last section of this document for guidance.

The self-adhesive **marking label** is located in the back of the flap and the riveted label with the **serial number** is located under the door, on the combustion chamber. They contain all the information needed to register this product. **See previous page.**

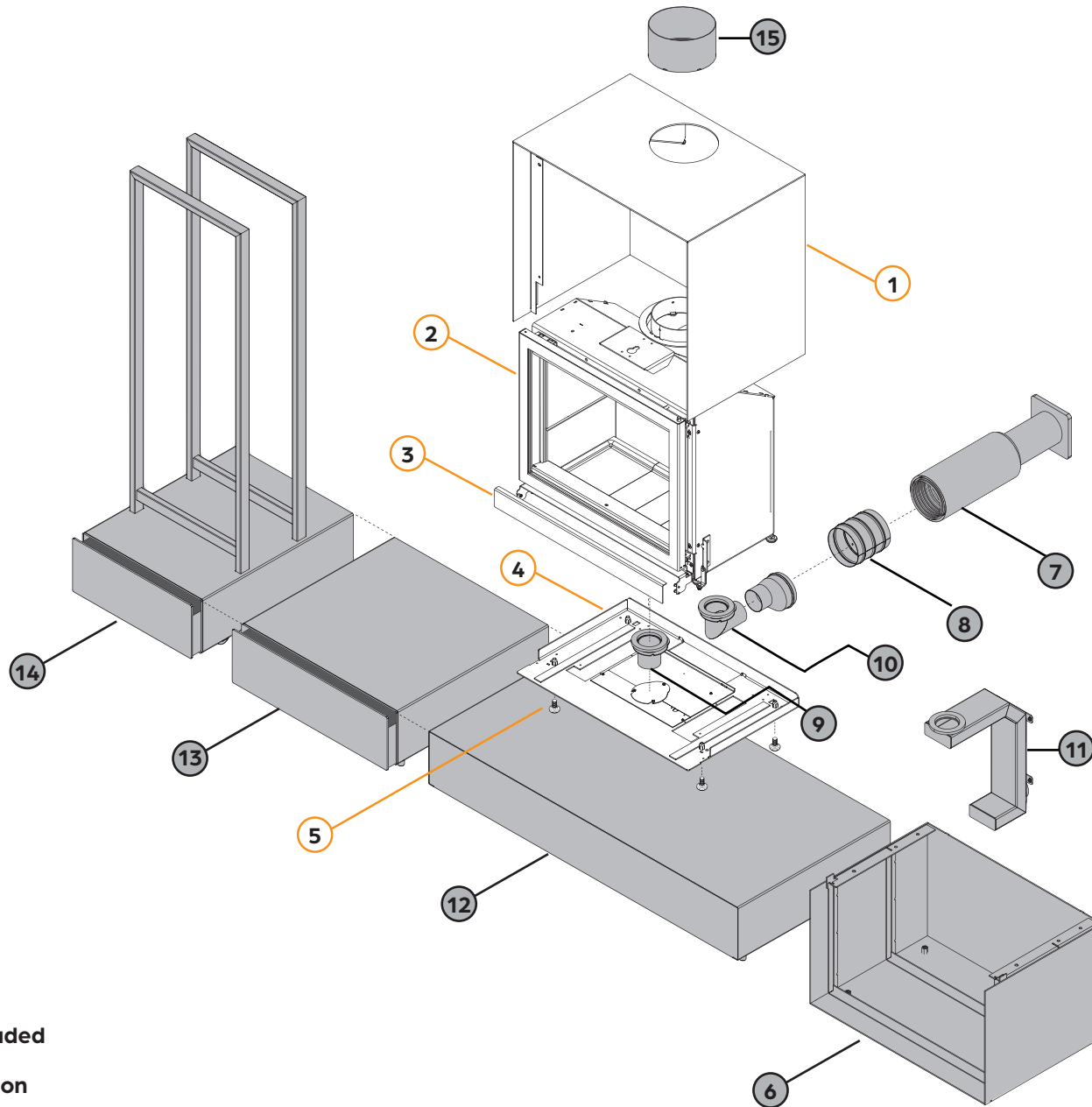
2

COMPONENTS

2.1	LIST OF COMPONENTS	9
2.2	AIR INTAKE ACCESSORIES	11



2.1 LIST OF COMPONENTS



 Included

 Option



CAUTION

The only products that can support the Stûv 16-cube are the H base **6** and the podium. **12**

The accessory drawer **13** **must never be used to support the stove.**

The log rack **14** cannot be installed directly on the side of the podium **12** except for the 16-58 cube model, which is centred on it).

In all cases, it is vital to check the required clearance in the relevant chapter.

2.1 LIST OF COMPONENTS



16-58 CUBE

SW1001601500 | SW1001601501

#	DESCRIPTION	PRODUCT CODE	INCLUDED OR OPTION	Q ^{TY}
1	Cube shell	PW1499723101	Included	1
2	Stove	N/A	Included	1
3	Flap	PW1499762401	Included	1
4	Base plate	PW1499721100	Included	1
5	Leveling feet	PW1499700009	Included	1
6	H base	AW1301001200	**	1

16-68 CUBE

SW1001601600 | SW1001601601

#	DESCRIPTION	PRODUCT CODE	INCLUDED OR OPTION	Q ^{TY}
1	Cube shell	PW1499725501	Included	1
2	Stove	N/A	Included	1
3	Flap	PW1499762501	Included	1
4	Base plate	PW1499723500	Included	1
5	Leveling feet	PW1499700009	Included	1
6	H base	AW1301001300	**	1

16-78 CUBE

SW1001601700 | SW1001601701

#	DESCRIPTION	PRODUCT CODE	INCLUDED OR OPTION	Q ^{TY}
1	Cube shell	PW1499727901	Included	1
2	Stove	N/A	Included	1
3	Flap	PW1499762601	Included	1
4	Base plate	PW1499725900	Included	1
5	Leveling feet	PW1499700009	Included	1
6	H base	AW1301001400	**	1

**When ordering a Stûv 16-H, the H base is included.

ACCESSORIES

#	DESCRIPTION	PRODUCT CODE	INCLUDED OR OPTION	Q ^{TY}
7	Outside air kit	AW1200200001	Option	1
8	4" air damper	AW1200100300	Option	1
9	Stûv 16-cube outside air intake connector	AW1200200500	Option	1
10	Stûv 16-cube outside air intake connector with 90° bend	AW1200202900	Option	
11	Stûv 16-H outside air intake connector	AW1200200700	Option	
12	Podium	● AW1198100200 ○ AW1198100300	Option	1
13	Accessory drawer*	● AW1198030200 ○ AW1198030300	Option	1
14	Log rack with drawer	● AW1198010200 ○ AW1198010300	Option	2
15	Ø 7" chimney adaptor	AW1200500800	Option	1

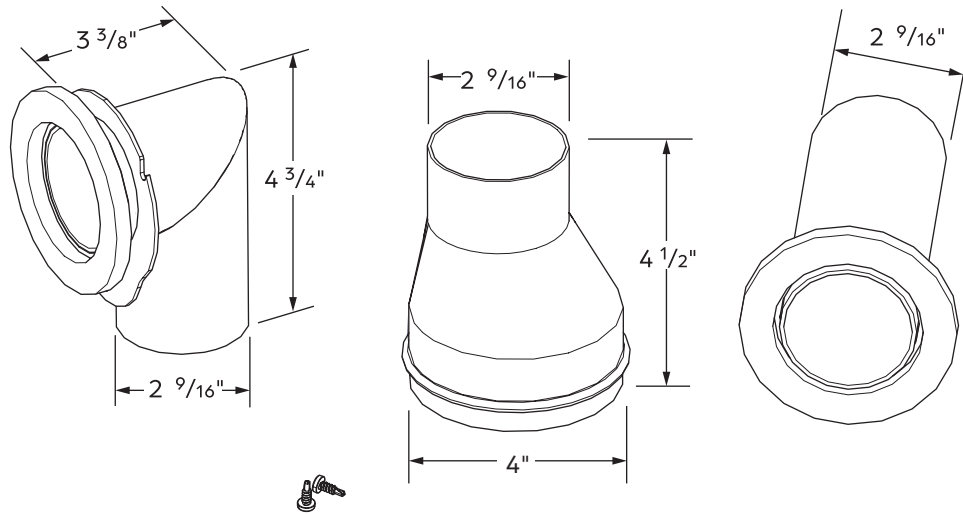
*The accessory drawer cannot be used to support the stove.

2.2 AIR INTAKE ACCESSORIES



CONNECTORS (STÛV 16-CUBE) For outside air intake

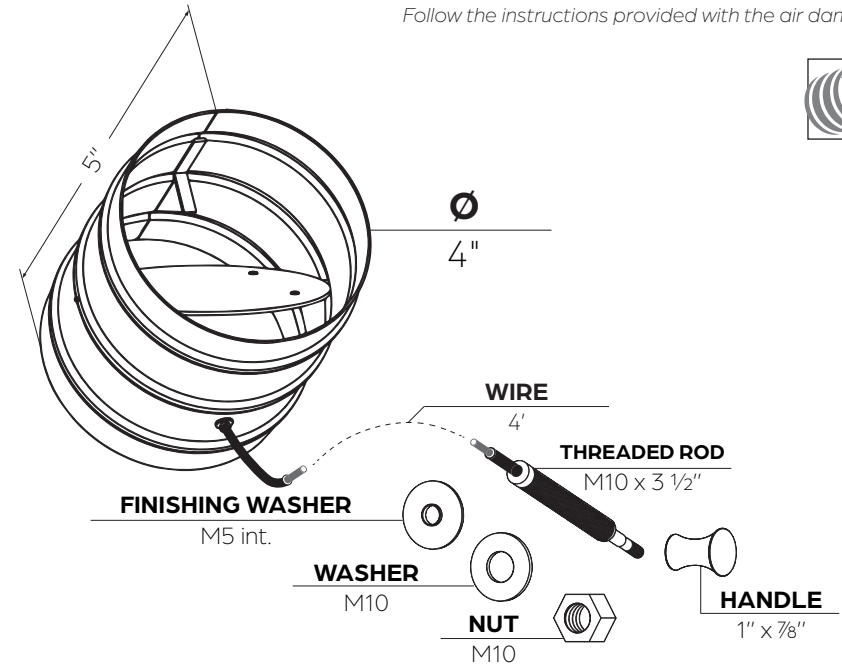
Installation p.24



AIR DAMPER

For outside air intake

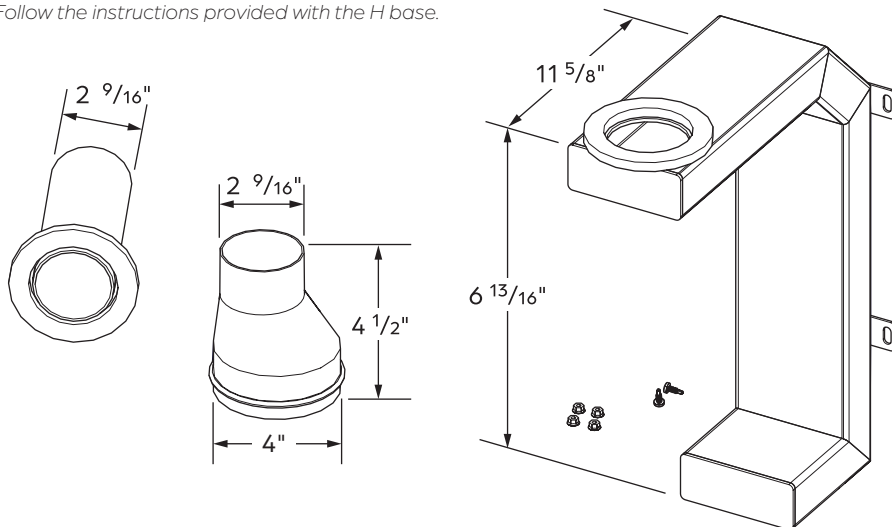
Follow the instructions provided with the air damper.



CONNECTORS (STÛV 16-H)

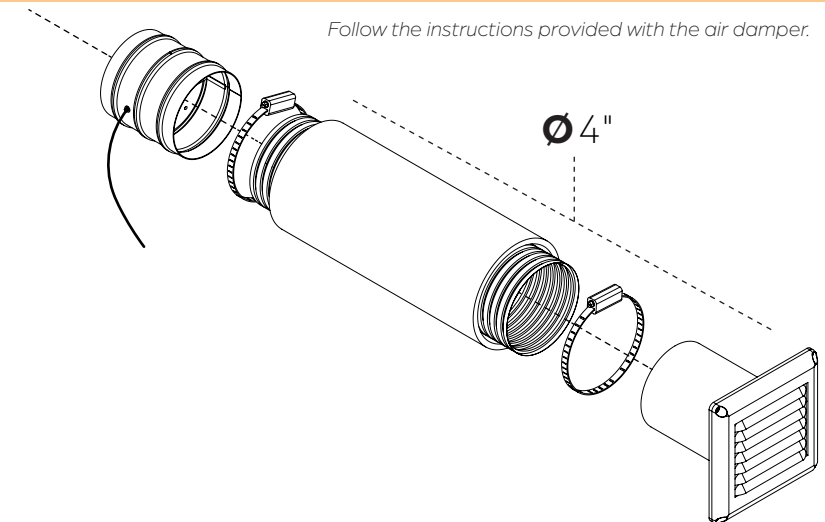
For outside air intake

Follow the instructions provided with the H base.



OUTSIDE AIR KIT

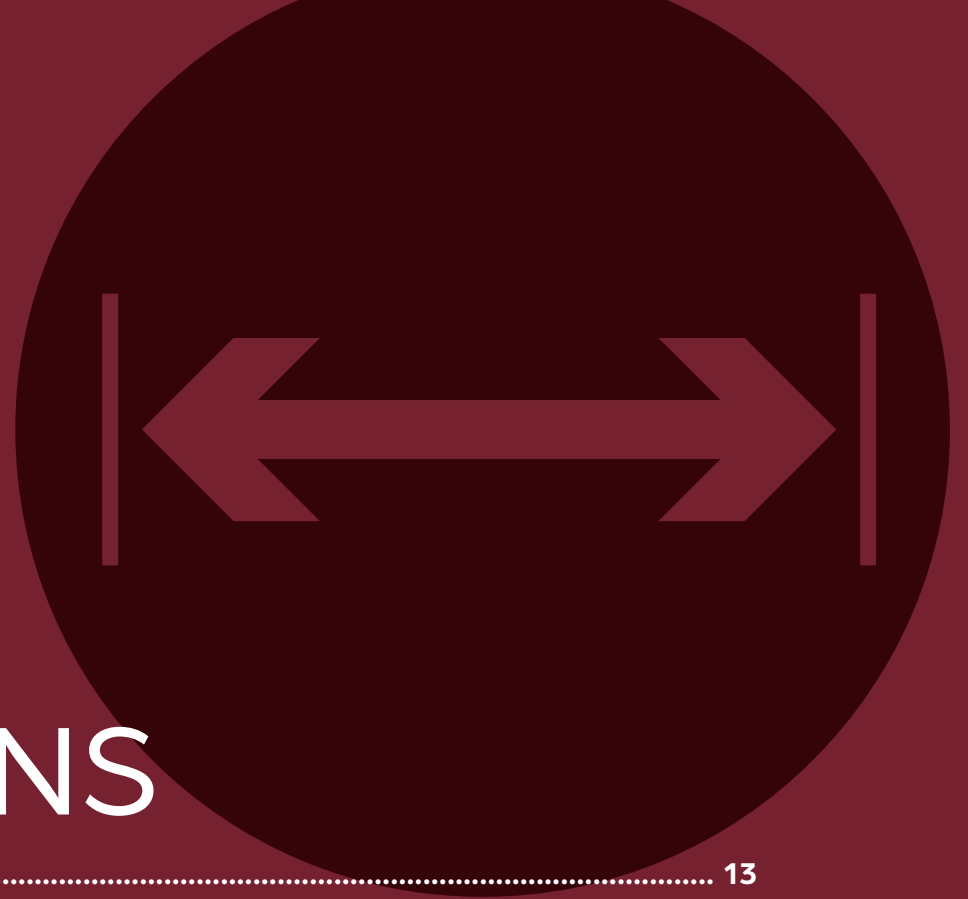
Follow the instructions provided with the air damper.



3

DIMENSIONS

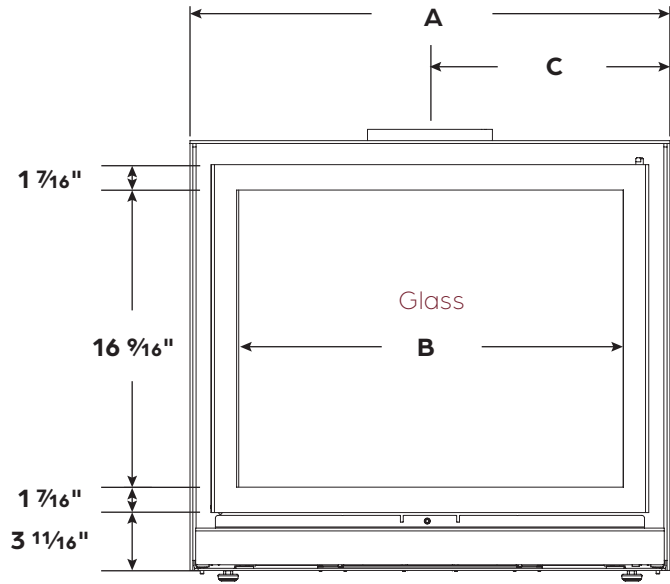
3.1	STÛV 16-CUBE DIMENSIONS	13
3.2	STÛV 16-H DIMENSIONS	14
3.3	CLEARANCE	15
3.4	RISK AREA	17
3.5	AIR SUPPLY	18



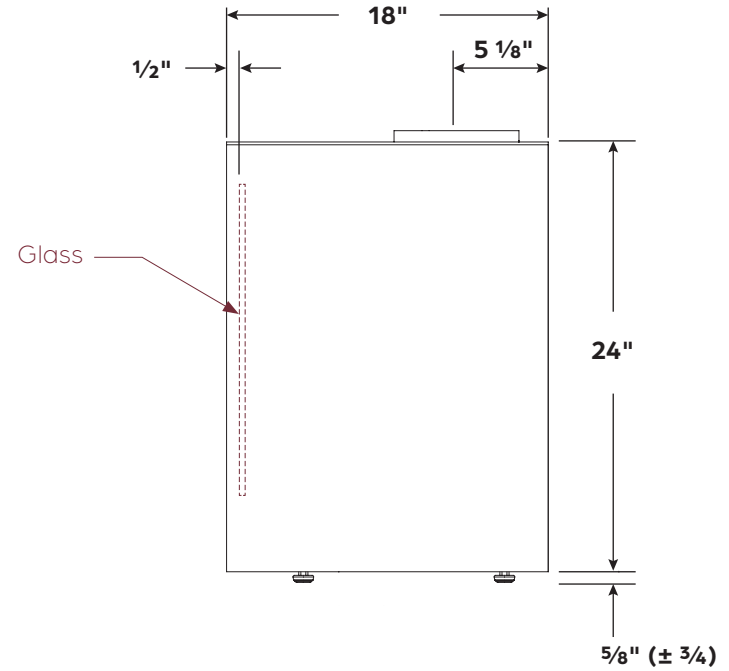
3.1 STÛV 16-CUBE DIMENSIONS



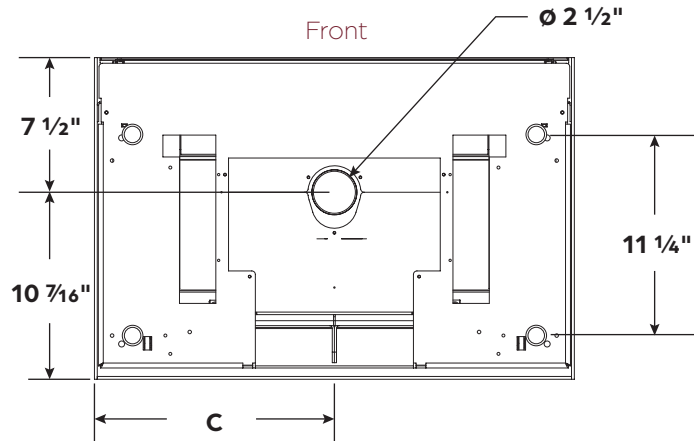
FRONT VIEW



SIDE VIEW



BOTTOM VIEW

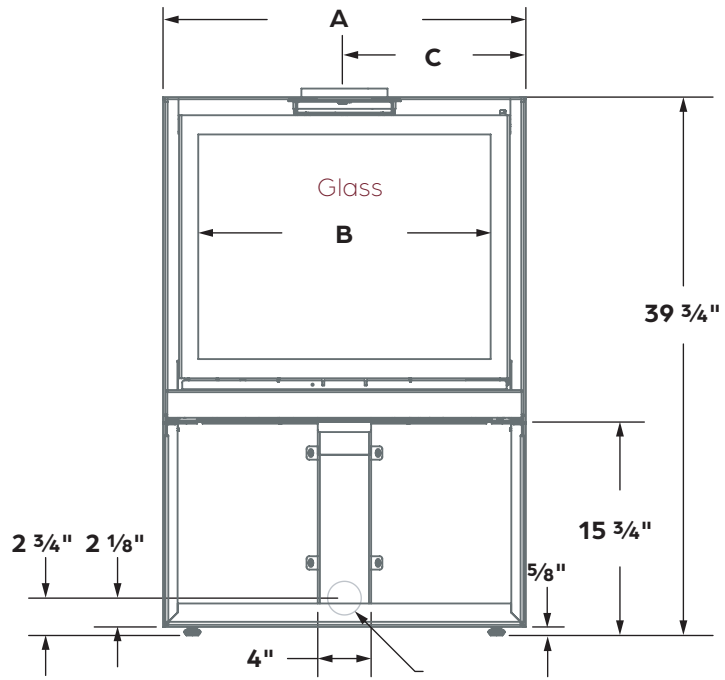


16-cube	A	B	C
16-58 cube	22 7/8"	17 5/8"	11 7/16"
16-68 cube	26 3/4"	21 5/8"	13 3/8"
16-78 cube	30 3/4"	25 1/2"	15 3/8"

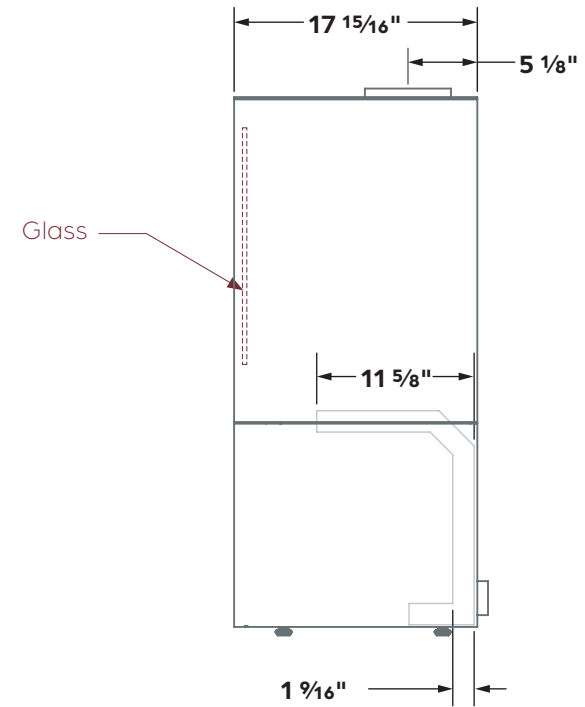
3.2 STÛV 16-H DIMENSIONS



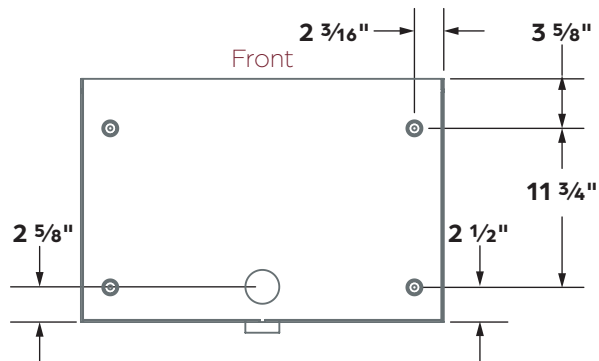
FRONT VIEW



SIDE VIEW



BOTTOM VIEW



16-H	A	B	C
16-58 H	22 7/8"	17 5/8"	11 7/16"
16-68 H	26 3/4"	21 5/8"	13 3/8"
16-78 H	30 3/4"	25 1/2"	15 3/8"

3.3 CLEARANCE



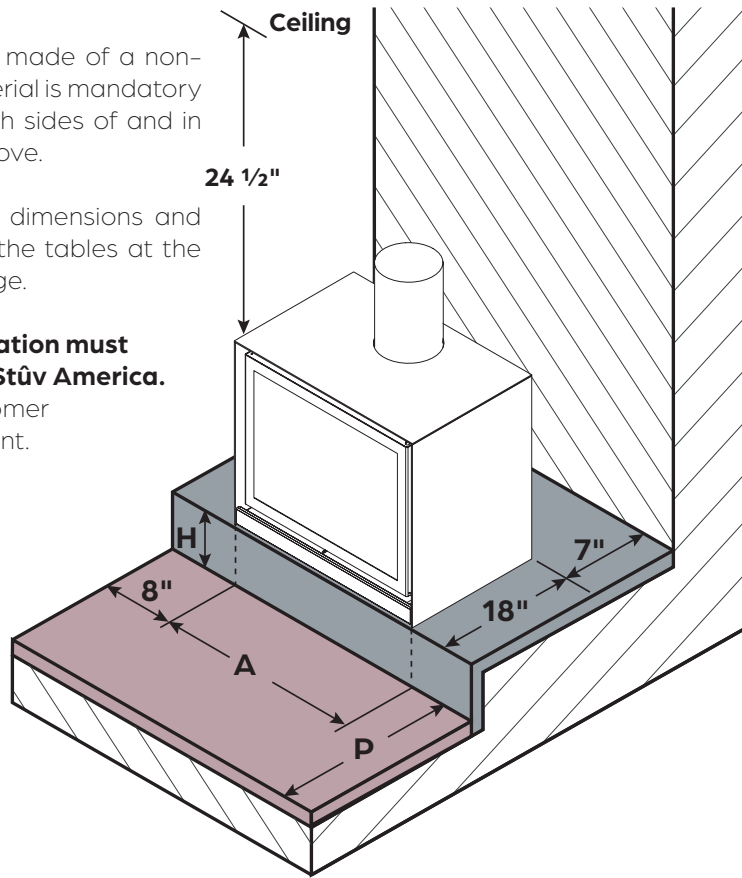
STÛV 16-CUBE

Floor protection made of a non-combustible material is mandatory in front of, on both sides of and in the back of the stove.

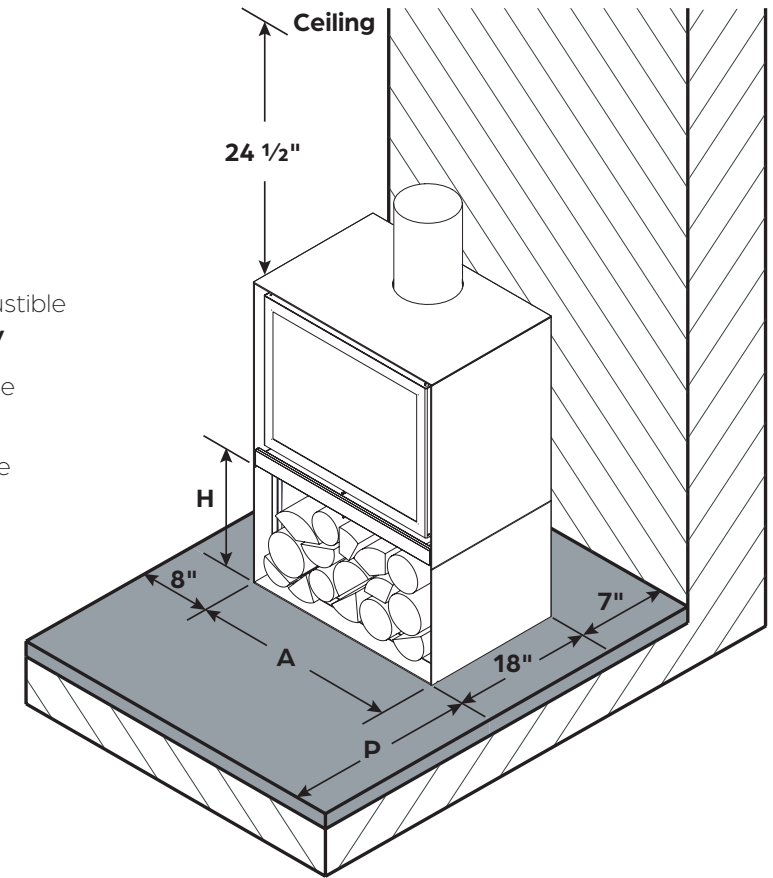
For the minimum dimensions and **R value**, refer to the tables at the bottom of the page.




Any other installation must be approved by Stûv America.

Contact our customer service department.



STÛV 16-H



-  non-combustible mandatory
-  R value zone **See table**
-  combustible

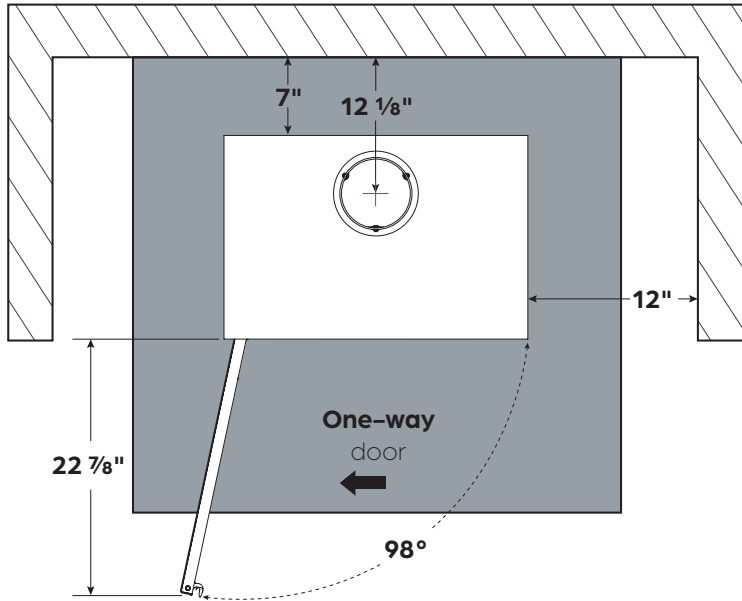
MODEL	A	P
16-58	22 7/8"	Canada: 18" USA: 16"
16-68	26 3/4"	
16-78	30 3/4"	

H	R VALUE	EXAMPLES
11 1/2" +	0	All non-combustible materials
8 1/2" to/à 11 1/2"	0.28	1/2" cement board (0.26) + 1/4" ceramic (0.02) = 0.28 R
6 1/2" to/à 8 1/2"	1.29	1/2" Micore® SB (1.47) + 1/4" ceramic (0.02) = 1.49 R
4 1/2" to/à 6 1/2"	2.56	1" Micore® SB (2.94) + 1/4" ceramic (0.02) = 2.96 R

CAUTION
To increase the safety of your installation, we recommend limiting log storage to the inner area of the H base. It is prohibited to store any highly flammable materials in the base, such as paper or fire starters.

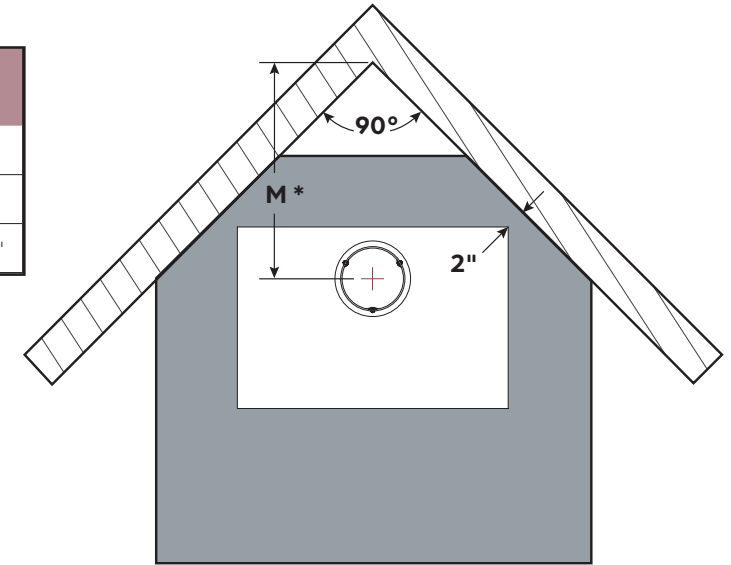




TOP VIEW



TOP VIEW - CORNER

MODEL	M*
16-58	19 3/8"
16-68	21 3/8"
16-78	23 5/16"



-  combustible
-  non-combustible mandatory

* This is an example of an installation in a 90° wall corner. Dimensions may vary depending on the angle of the wall. In all cases, the minimum clearances indicated on this page must be respected.



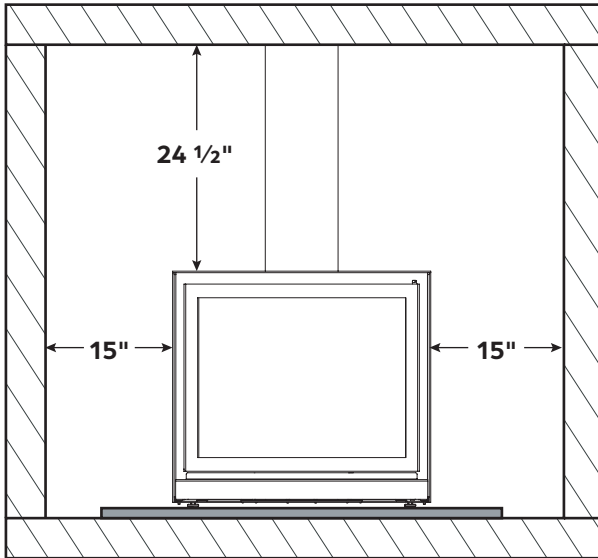
STRUCTURE'S LOAD-BEARING CAPACITY

It is vital to ensure that the structure and the floor supporting the stove are strong enough to hold the weight of the appliance and the weight of the chimney. See the technical specifications (page 6) for the weight of the appliances.

If in doubt, **consult a specialist.**

3.3 CLEARANCE

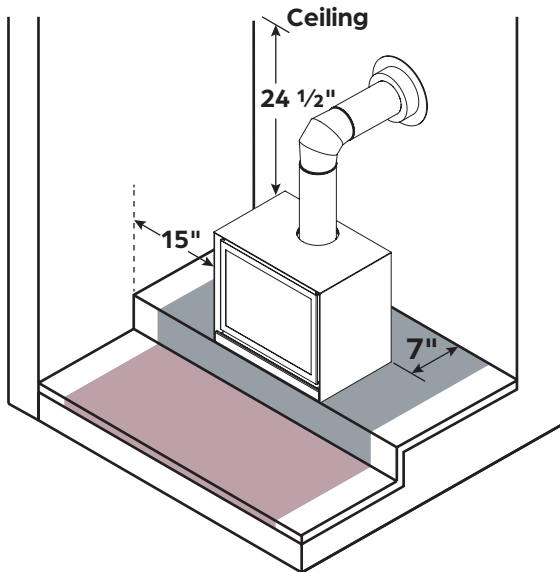
ALCOVE



When the stove is installed in an alcove, the minimum side clearances are increased to allow ventilation.

As indicated on the previous page, a minimum clearance of 7" is mandatory behind the stove.

CHIMNEY THRU THE WALL



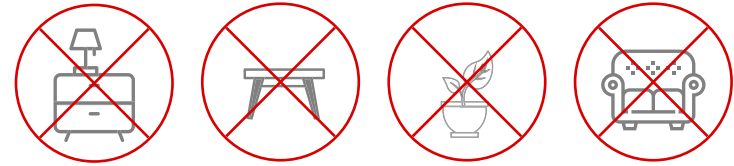
When the stove chimney is installed thru the wall, the minimum side clearances are increased to allow ventilation.

As indicated on the previous page, a minimum clearance of 7" is mandatory behind the stove.

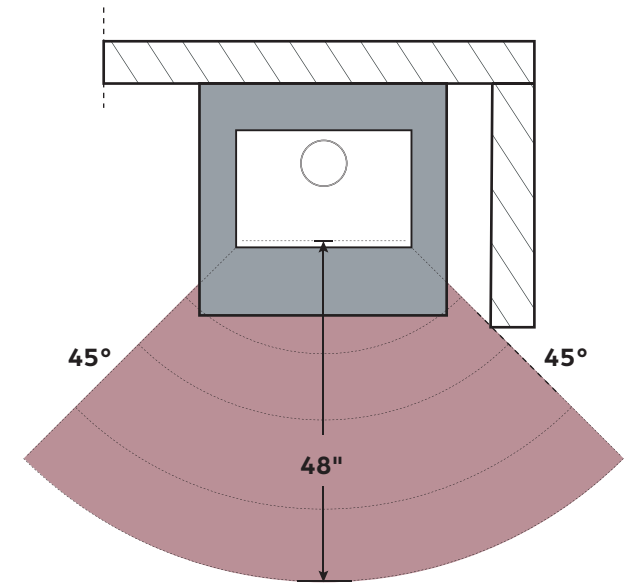
3.4 RISK AREA



The heat radiating from the glass will be significant. Any combustible object must be placed a minimum of 48" by 90° away from the glass face to avoid any fire risk.



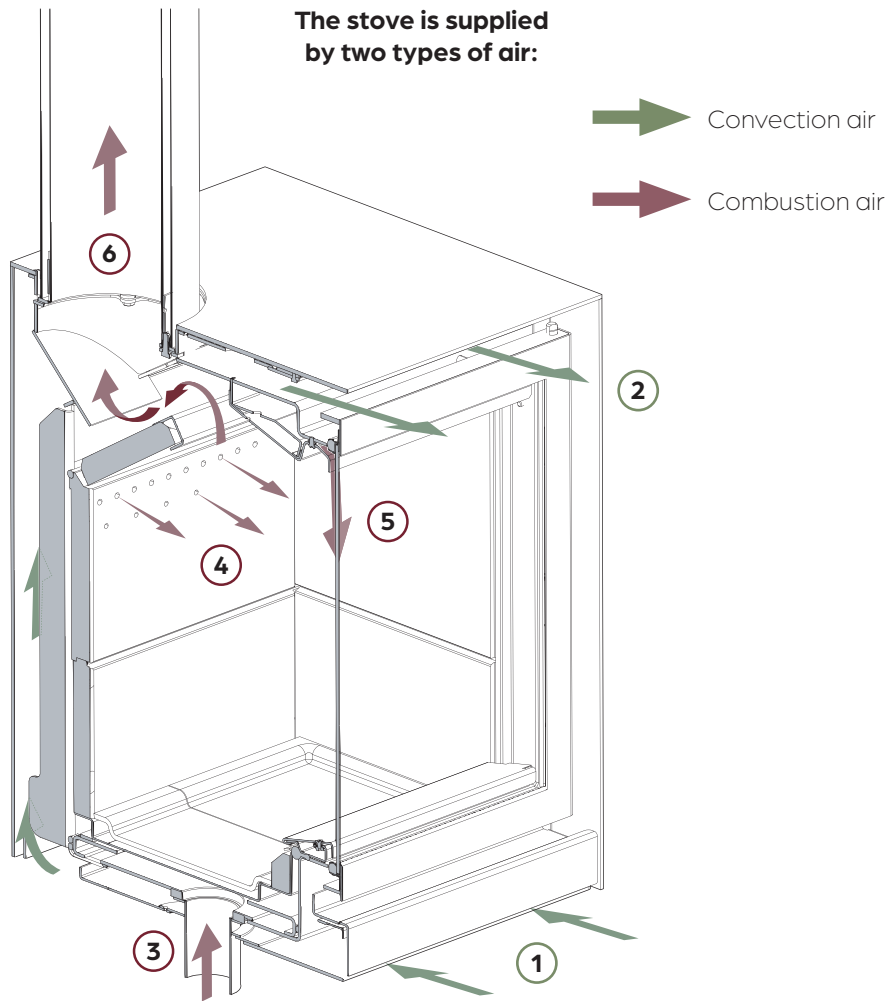
-  risk area
-  combustible
-  non-combustible mandatory



CAUTION - FIRE HAZARD

To avoid major damage, no combustible material should be placed near the stove's door or near the hot air outlet. Blocking the latter may cause the unit to overheat and, in some cases, cause a fire.

Avoid heat traps. Materials exposed to the radiant heat must be able to withstand high temperatures.



CONVECTION AIR

The convection air system is incorporated in the stove. No connection is needed for its operation.

- ① The ambient air gathered from the room moves along the combustion chamber, absorbing heat
- ② Once heated, this air exits naturally through the appliance's upper frame, spreading a comforting warmth throughout the room.

COMBUSTION AIR

- ③ The air required for combustion arrives directly from under the appliance via an outside air intake connector specially designed for the Stûv 16-cube and 16-H models (see next page for details).
- ④ The air injected into the top of the combustion chamber allows the gases to be burned a second time, preventing fine particles from being released into the air.
- ⑤ The air flow along the glass helps keep it free of combustion dust, for an impeccable view of the fire.
- ⑥ Once the gases have been burned, they are evacuated through the chimney pipe (see CHIMNEY section for details).

The air combustion inlet can be configured in **three ways**. See next page for details.



CAUTION

The air intake must never be adjusted. This wood heater has a manufacturer-set minimum low burn rate that must not be altered. It is against federal regulations to alter this setting or otherwise operate this wood heater in a manner inconsistent with operating instructions in this manual.



NOTE

Active air extraction systems (range hood, air conditioning, controlled mechanical ventilation, another stove, etc.) in the same space or in an adjacent room also consume a large amount of air, which could create negative pressure in the room and hamper the stove's operation (risk of backdraft). They can disrupt the stove's operation even if connected to an outside air intake.



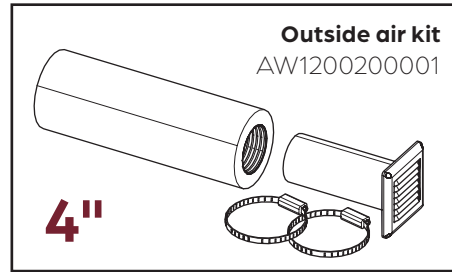
COMBUSTION AIR (OPTIONS)

Option 1: Connected to the outside air with a kit

Although **recommended**, this setup is mandatory in some places.

Whether it is connected to the stove or not, the duct leading to the outside air must:

- be protected outdoors by a grille whose clear passage section is at least 4" in diameter. Beware of water infiltration, snow accumulation and wind impacts, which can damage the system or hinder its operation
- not be crushed
- ideally be equipped with an air damper (optional)
- be at least 8' long, ideally insulated, and form a loop in the wall to prevent condensation (**in places with winter temperatures**).



If our standard ϕ 4" flexible duct is used, we recommend a maximum length of 12' with no more than 4 bends (see table to the right). If these recommendations are exceeded, it will be necessary to compensate with a larger diameter and/or a smoother duct.

Duct length	Max. number of 90° bends authorized
0 to 8'	4 bends
8' to 10'	2 bends
12' and +	1 bend

Option 2: Connected to the inside air, in another location near the stove.

This air inlet must have a sufficient air intake (minimum ϕ 4"), from a crawl space, ventilated room (basement) or another room in which the air exchange will always be sufficient.

The criteria for the length of the duct and the bends are the same as for the option 1.

Option 3: Without a connector, air taken from the same room as the stove

This option is not recommended for an airtight house.

If it is not possible to connect the stove to the outside air, it is important to ensure that the air exchange in the room will always be sufficient when the stove is in operation.

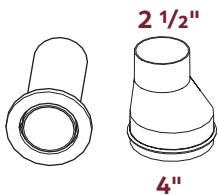
AIR DAMPER (OPTIONAL)

The air damper keeps the house from cooling down when the stove is not in use. It has a 100% open and a 100% closed position, which cannot affect combustion. It is recommended when installing in a highly energy-efficient house.

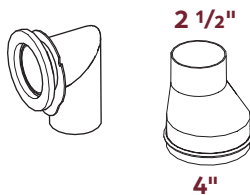
It should ideally be placed as close to the outer wall as possible. Validate that the air damper dimensions meet the installation's needs. The damper's control cable is 48" long and the damper is ϕ 4" in diameter.

CONNECTORS

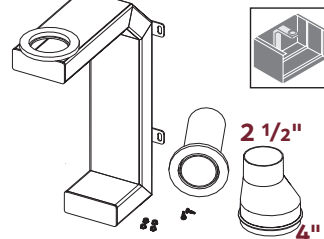
Air intake connector
16-cube version
AW1200200500



Air intake connector
with a 90° bend
16-cube version
AW1200202900

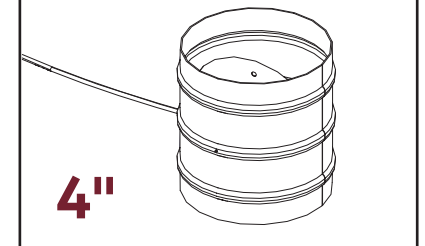


Air intake connector
16-H version
AW1200200700



For more information, see the **Air Damper Installation Manual** (9310400019).

Air damper
AW1200100300



4

INSTALLATION



4.1	UNPACKING	21
4.2	OPENING THE DOOR	22
4.3	SEPARATING THE CUBE SHELL	23
4.4	BASE PLATE AND CONNECTION	24
4.5	FASTENING THE CUBE SHELL	26
4.6	ADJUSTING THE DOOR	27



IMPORTANT

The paint is not cured. It is therefore fairly **fragile**, but will harden after being heated several times. Handle the unit with care.

Inspect the unit.

The warranty does not cover shipping-related damage unless it is reported within 48 hours of delivery.

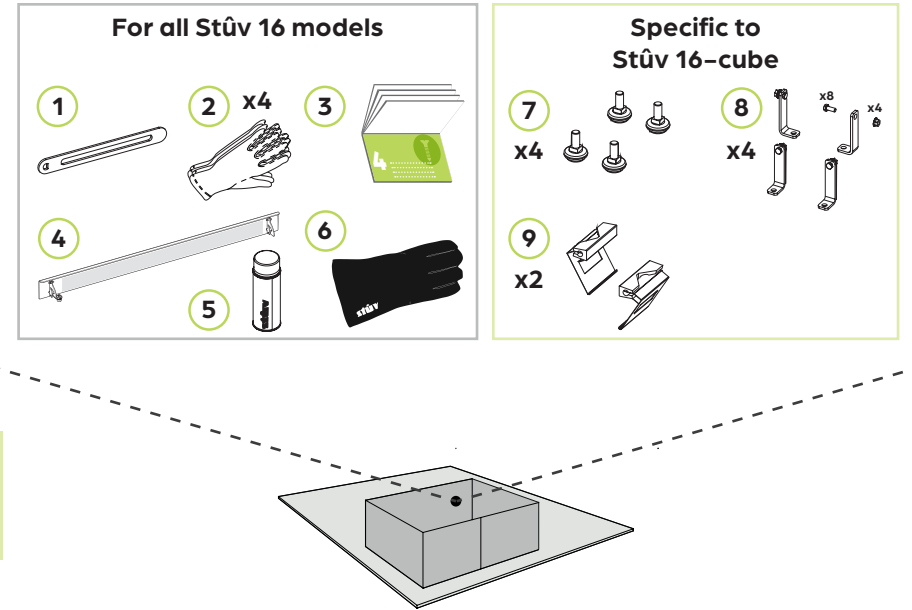
1 CONTENTS OF THE COMPLEMENTARY BOX

1. Door handle
2. **4x** white gloves
3. Installation manual
4. Flap with marking label
5. Spray paint for touch-ups
6. Stûv glove
7. **4x** Cube leveling feet
8. **4x** Cube connecting lug (with nuts and bolts)
9. **2x** Cube carrying handle



CHECK

Check if all the material is included and in good condition.

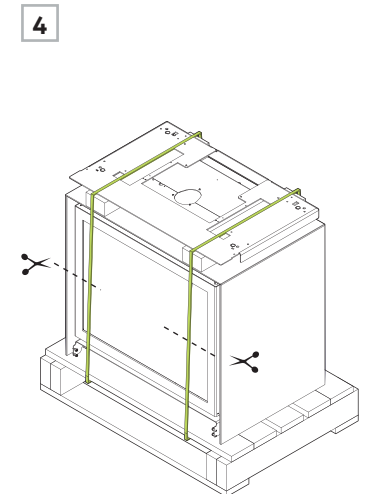
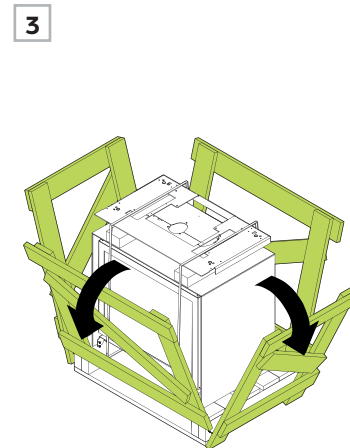
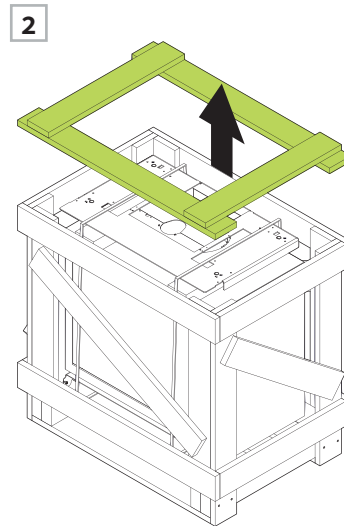


Step 1 The complementary box and any accessories can be found around the stove or its packaging. Validate the receipt of the accessories and the contents of the box.

Step 2 Using a crowbar, remove the top of the shipping pallet.

Step 3 Remove each side so that only the base is left.

Step 4 Cut the straps and carefully remove the protective plastic. If using a retractable knife, take care not to damage the paint.



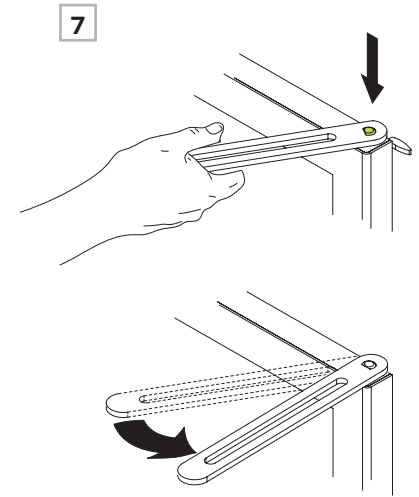
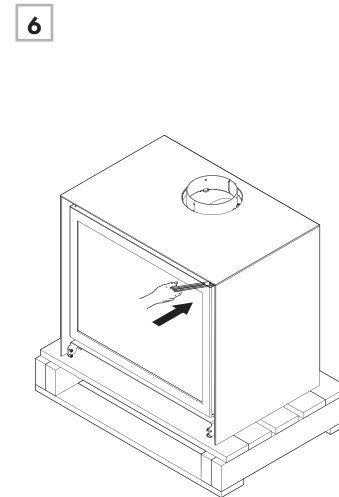
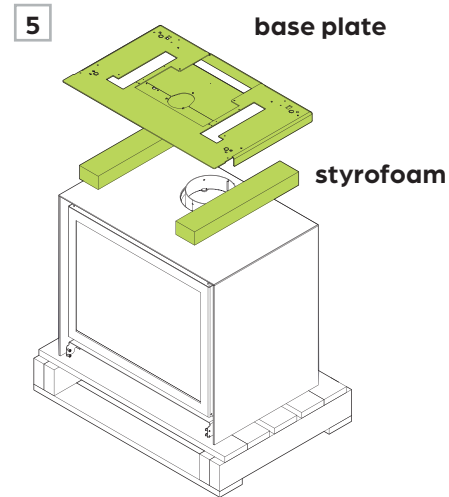
4.2 OPENING THE DOOR



Step 5 Take out the base plate and set it aside for later. Remove the styrofoam and the rest of the packaging.

Step 6 Place the door handle around the lock cylinder above the door.

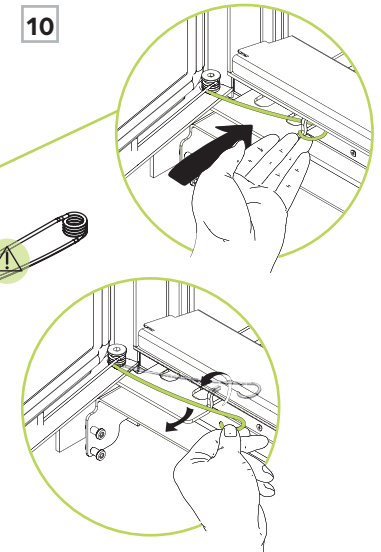
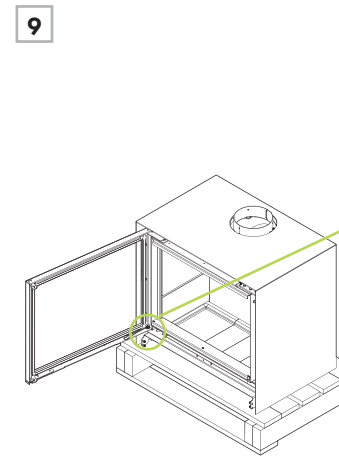
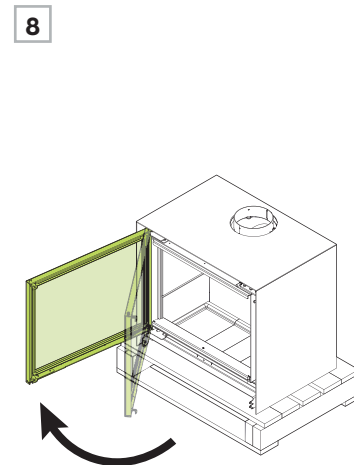
Step 7 Turn the door handle counter-clockwise to open the door.



Step 8 Open the door 90°.

Step 9 Locate the spring at the bottom of the door, near the rotation axis.

Step 10 Disengage the spring by pushing it down and pulling it forward.



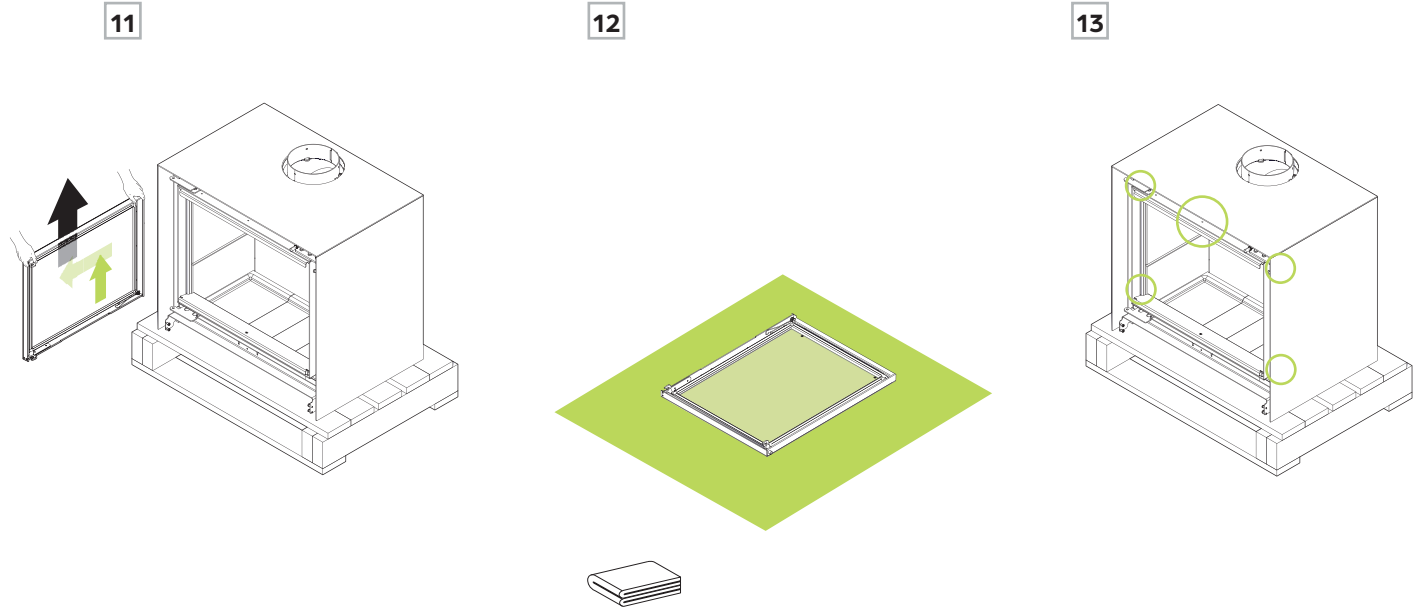
4.3 SEPARATING THE CUBE SHELL



Step 11 Slowly and gently lift the door to take it off its hinges.

Step 12 Set the door down somewhere where it will not get damaged. Take care not to damage the paint.

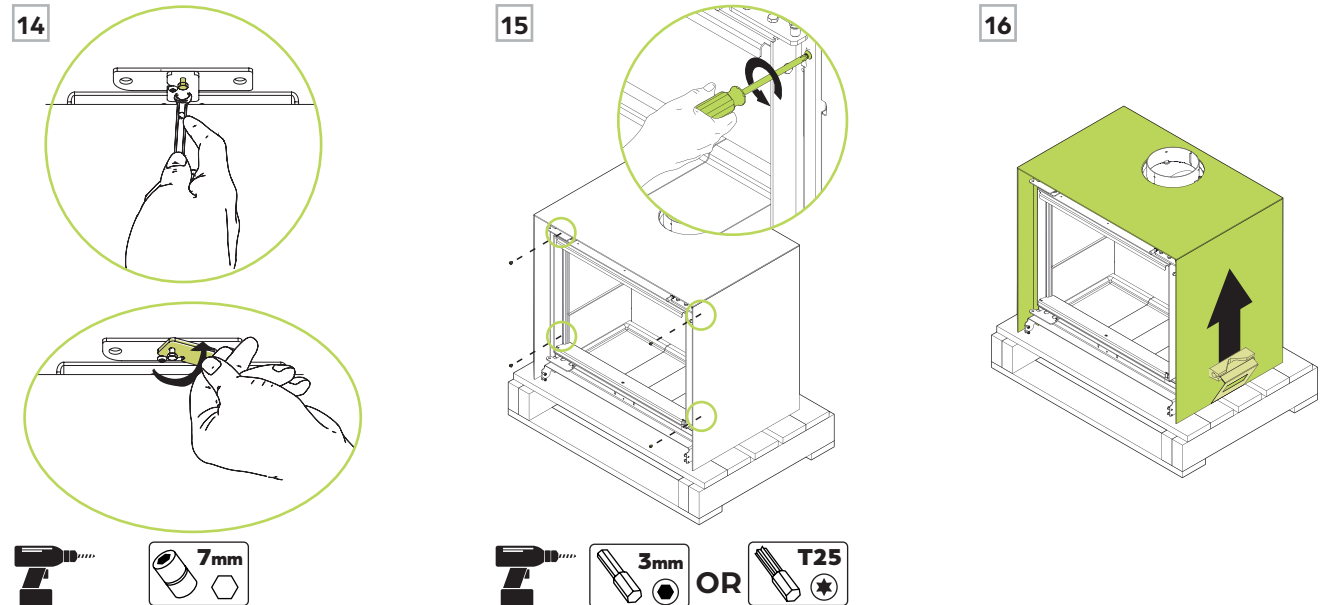
Step 13 The next two steps will release the cube shell's fasteners to the stove at the locations indicated.



Step 14 Slightly loosen the bolt on the top end of the cube shell and turn the shell's fastener to release the screw.

Step 15 Unscrew the 4 screws to detach the shell from the body of the unit. Keep the screws for later reassembly.

Step 16 Use the cube shell handles provided with the Stûv 16 to lift the shell (two people).



4.4 BASE PLATE AND CONNECTION



! Stûv 16-H
To position the base and the base plate, refer to the H Base Installation Manual.

! For the Stûv 16-cube only

Step 17 Screw in the leveling feet. They will make it possible to make the base plate level.

Step 18 Decide the stove's exact location and align the base plate with the air intake and chimney pipe. A small hole cut into the back trap indicates the middle of the smoke outlet.

The front edge of the base plate will be set back 5/16" from the front of the door and the flap.

Prepare the base plate for the combustion air intake according to the chosen configuration :

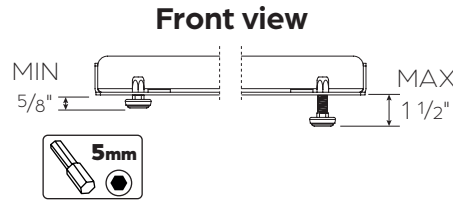
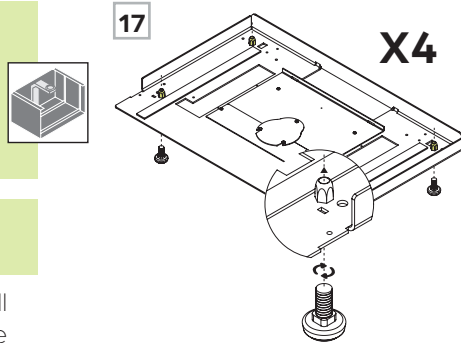
Step 19 If using a 16-cube connector, only remove the cutout in the middle of the trap and connect with a clamping collar.

----- **OR** -----

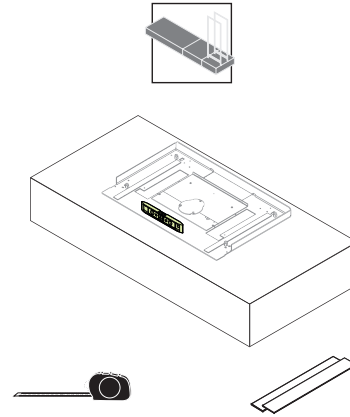
Step 20 For the H base connector, remove the traps and the trap cutout.

If the stove is installed without a connector, the base plate must stay as is.

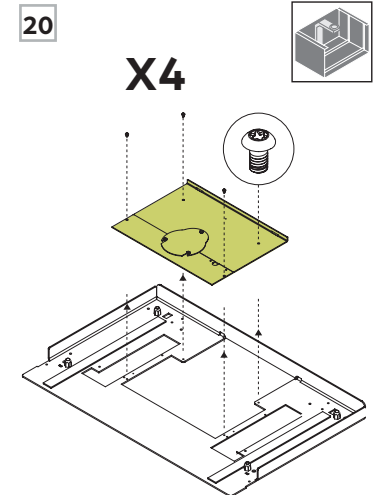
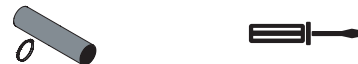
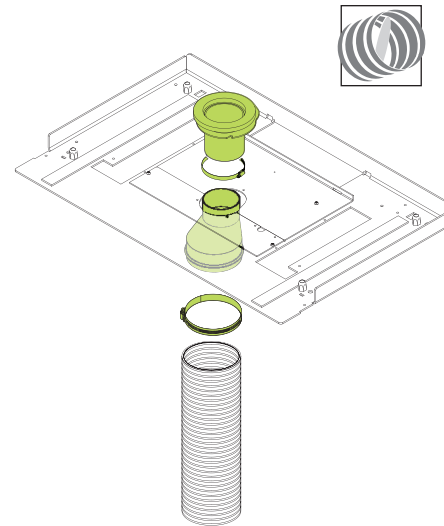
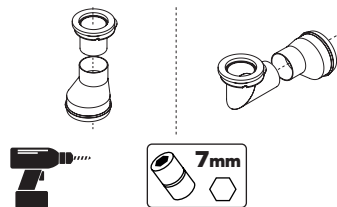
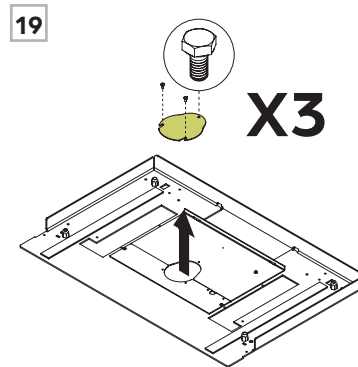
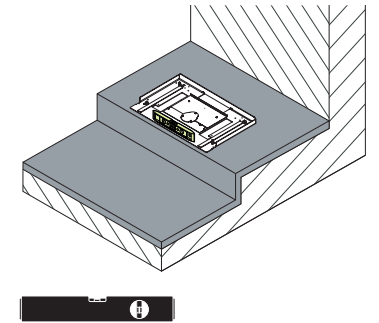
Level the leveling feet.



18 On the Stûv podium
Refer to the podium set installation manuals (9310400038)



On non-combustible flooring
Validate the clearance and mandatory non-combustible materials.



4.4 BASE PLATE AND CONNECTION

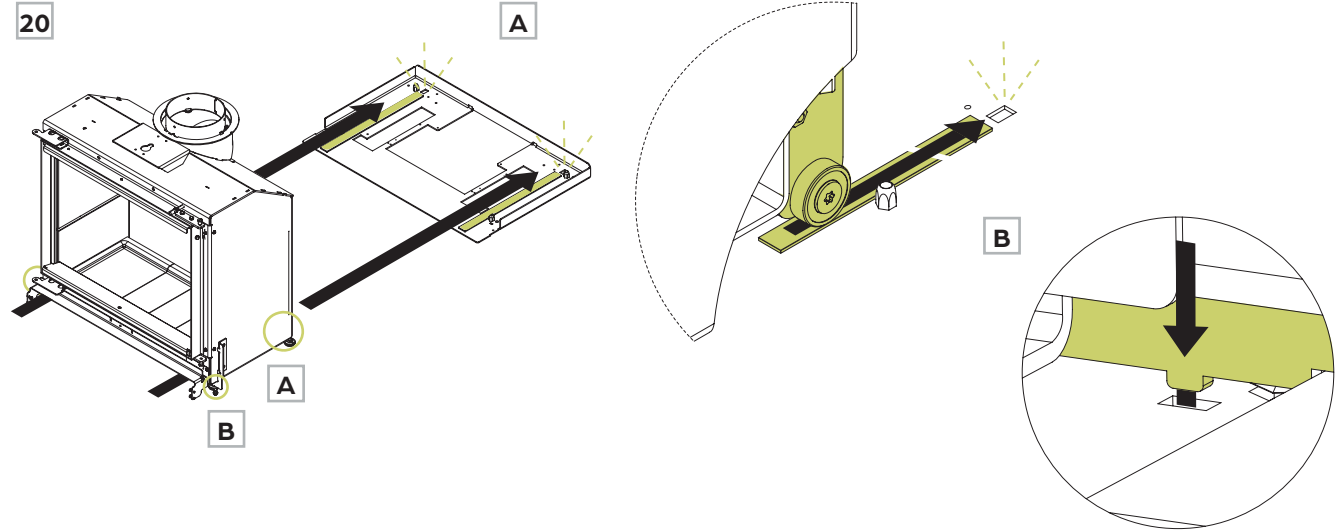


Step 20 Slide the unit onto the base plate previously installed at its permanent location.

A The stove is equipped with two wheels in the back and a track to guide its placement.

B The two tabs, one on the right and one on the left, will stabilize the unit in the right place.

Validate **A** & **B** positionings before continuing.

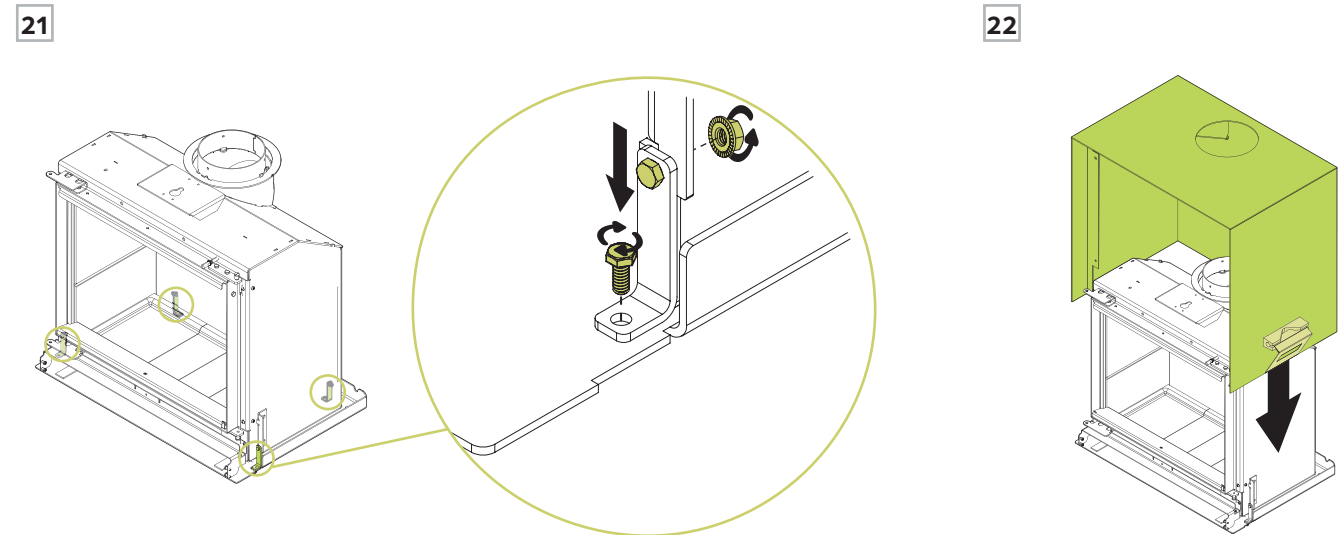


Step 21 Using the four brackets, M5x12 hex head screws and M5 nuts provided in the complementary box, attach the stove to the base plate in the front, in the back, on the left and on the right.

Step 22 Put the cube shell back on by sliding it down.

CAUTION

The paint is fragile. Spray paint is included if needed. Watch the video on our YouTube channel to learn how to touch up the paint on the cube shell.



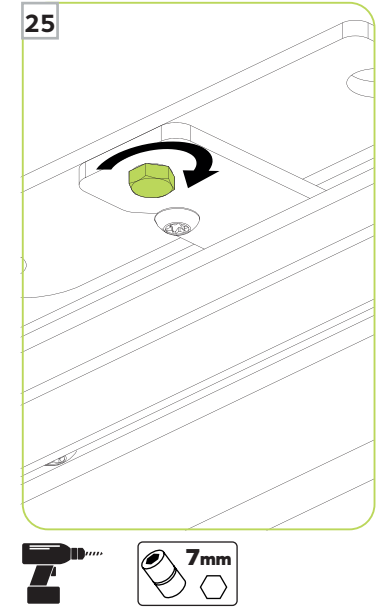
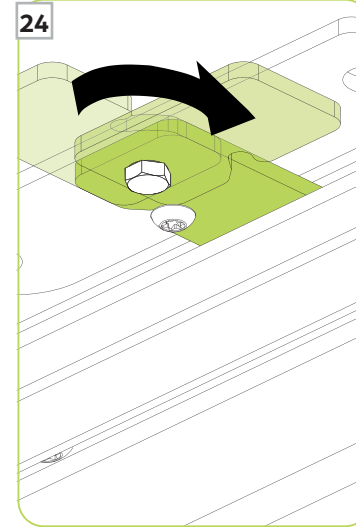
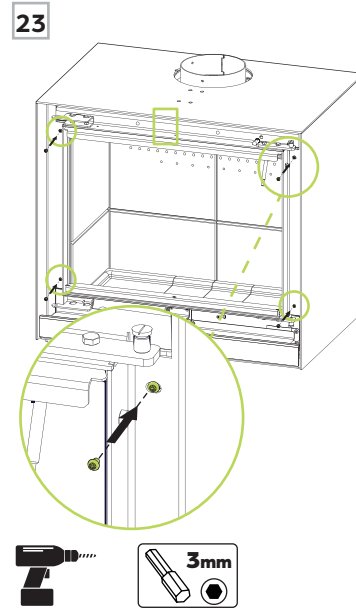
4.5 FASTENING THE CUBE SHELL



Step 23 Reconnect the cube shell and the stove using the previously removed screws.

Step 24 To strengthen the upper part of the shell and the stove, loosen the hex head screw and rotate the lock until it surrounds the button-head screw.

Step 25 Tighten the hex head screw.

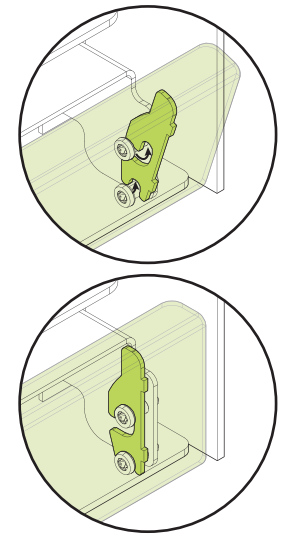
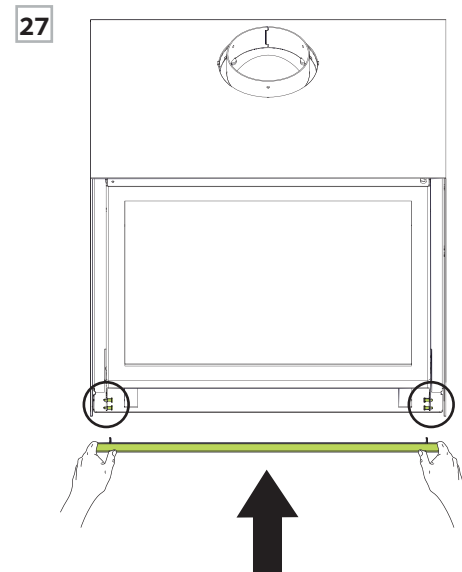
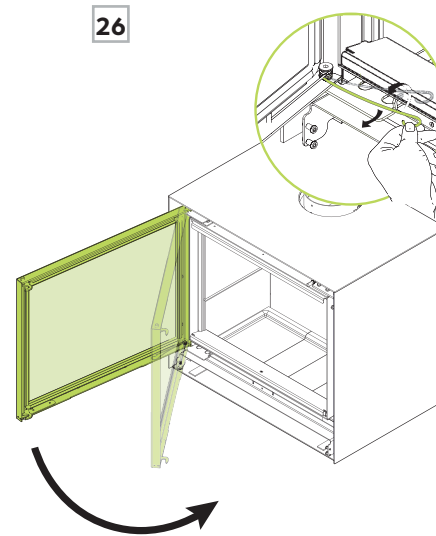


Step 26 Put the door back on its hinges and make sure it is level and closes well.

If so, re-engage the spring, then close and lock the door.

If not, follow the steps on the next page to adjust the door.

Step 27 Tilt the flap toward you slightly to be able to see clearly. Position the flap on the stove's screws. Push down, without forcing, to secure the flap.



4.6 ADJUSTING THE DOOR

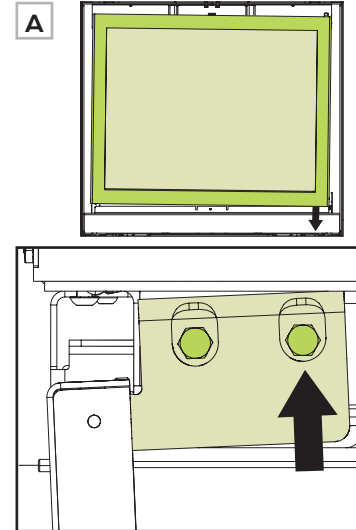
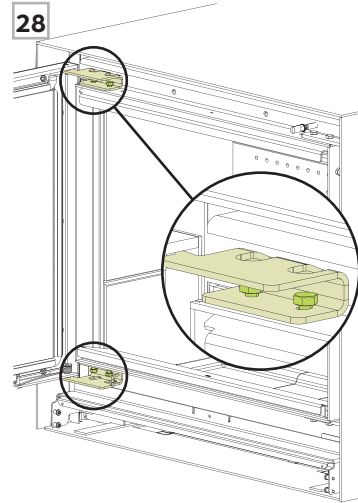


Step 28 To make the door level, **slightly** loosen the 4 bolts holding the door hinges, at the top and bottom.

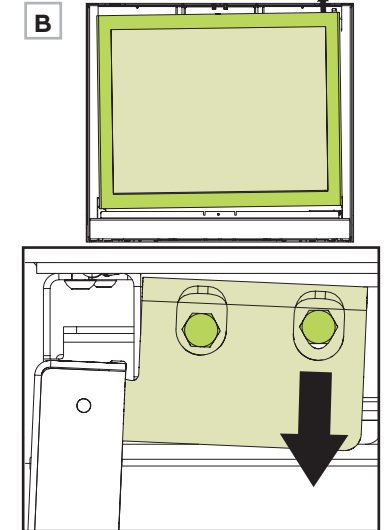
A If the side opposite the rotation axis is too low, push the top hinge inward. If necessary, the bottom hinge can be pushed outward.

B If the side opposite the rotation axis is too high, push the top hinge outward. If necessary, the bottom hinge can be pushed inward.

Gradually adjust the door according to the instructions above. It may take several tries to get it perfectly level.



Adjustment at the top

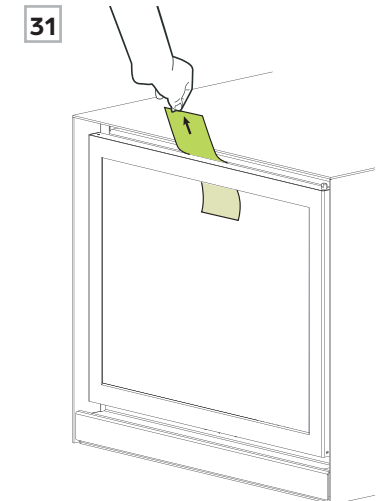
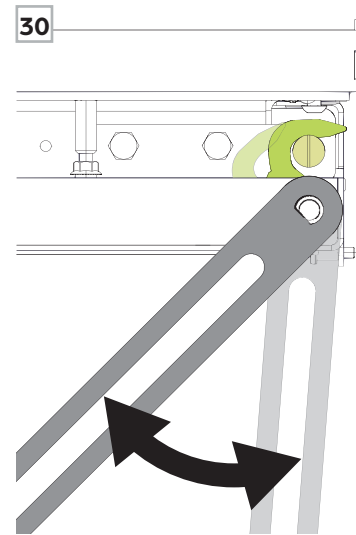
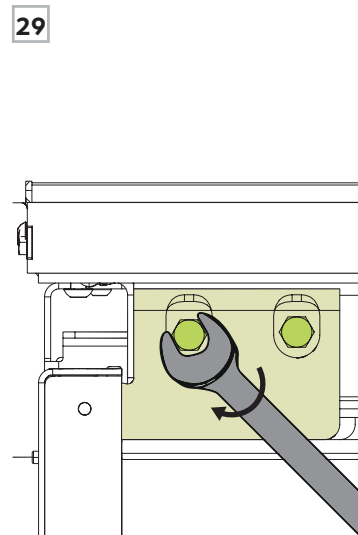


Adjustment at the top

Step 29 When the door is level, tighten the 4 bolts.

Step 30 The door must be loose enough to be easy to close, but tight enough to be airtight. Open and close it a few times to check that the door filler plate reinforcement is adjusted properly.

Step 31 Also check the door's airtightness, by placing a sheet of paper in the door and closing it. Try to pull the paper out all along the door frame. If the door is airtight, you will not be able to remove the paper. If the paper moves or the door's grip is not perfect, make the adjustments indicated on the next page.



4.6 ADJUSTING THE DOOR

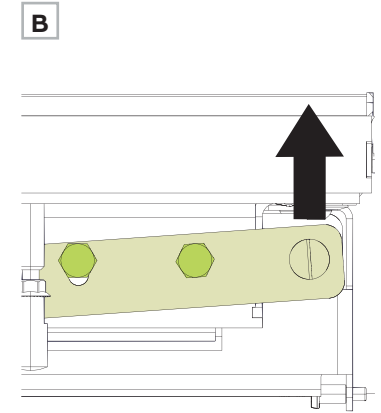
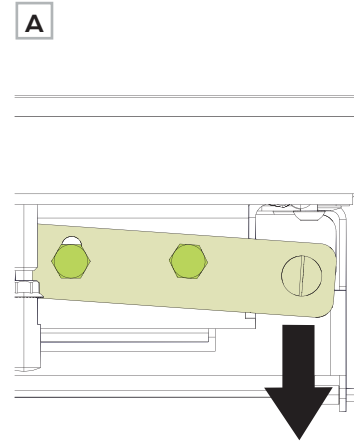
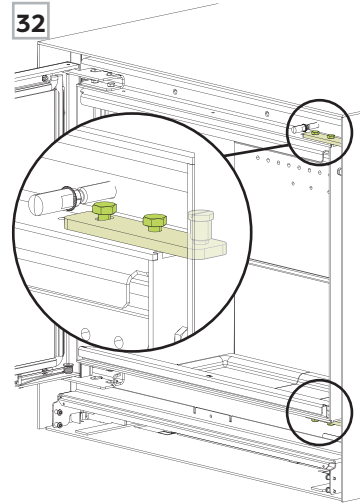


Step 32 To adjust the door's grip or airtightness, slightly loosen the 4 bolts holding the door filler plate reinforcements at the top and bottom.

A If the grip is too tight, the door filler plate reinforcement cylinder has to be pushed outward.

B If the grip is too loose, the cylinder has to be pushed inward.

Gradually adjust the door according to the above instructions and then tighten the bolts.

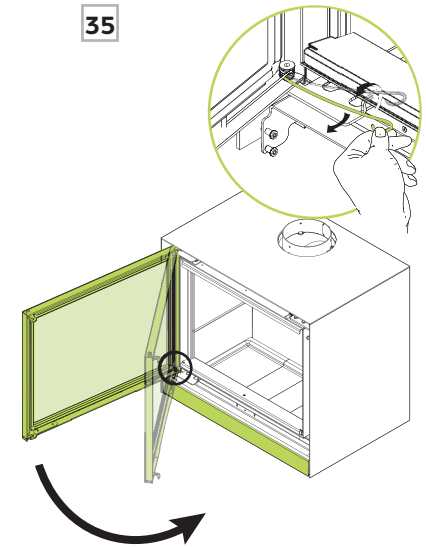
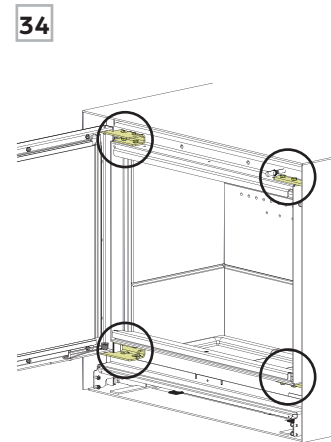
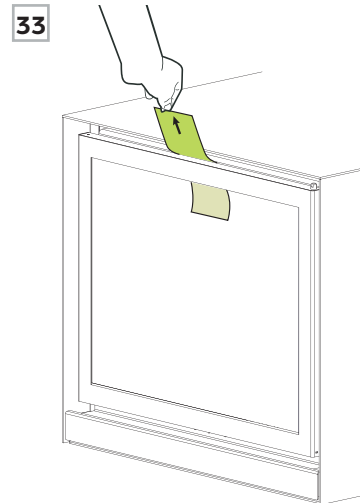


Step 33 Recheck the airtightness by placing a sheet of paper in the door and closing it. Try to pull the paper out all along the door frame.

Step 34 Redo the adjustment steps until the door is airtight, level and has a pleasant grip.

If it seems impossible to adjust the door, contact Stúv America's customer service department at 1-866-487-7888.

Step 35 Re-engage the spring, then close and lock the door. Position the flap if you have not already done so.



5

CHIMNEY

5.1	DIMENSIONS AND CERTIFICATION	30
5.2	TYPICAL INSTALLATION	31



5.1 DIMENSIONS AND CERTIFICATION



CHIMNEY DIAMETER

Use a double-wall connector (black) with 6" or 7" of clearance. This connector will be attached to the unit's flange with three #10-1/2" self-drilling screws.

If passing through a combustible wall, use only a 6" or 7" insulated pipe that complies with the **UL-103HT** or **ULC-S629** standard. The installation must comply with standard **CSA B365**, as well as all other installation standards applicable at that location.

If the chimney is shorter than 18', use the 7" chimney adapter (option: AW1200500800) and a 7" chimney pipe.



CAUTION

- Carefully read the instruction manual provided with your chimney before installing.
- Do not use makeshift means during installation. This could pose a danger, compromise safety and result in a fire.
- Do not connect the appliance to a chimney that is already connected and used by another appliance. A chimney used as an outlet for a stove must not be used for more than one appliance.
- Do not cut trusses, rafters or ceiling joints without consulting a building official to ensure that the building's structural integrity has not been compromised.
- If this unit is not installed properly, a fire may result. To reduce the risk of fire, follow the installation instructions.
- Contact the local authorities to obtain a building permit and take note of all applicable regulatory requirements.

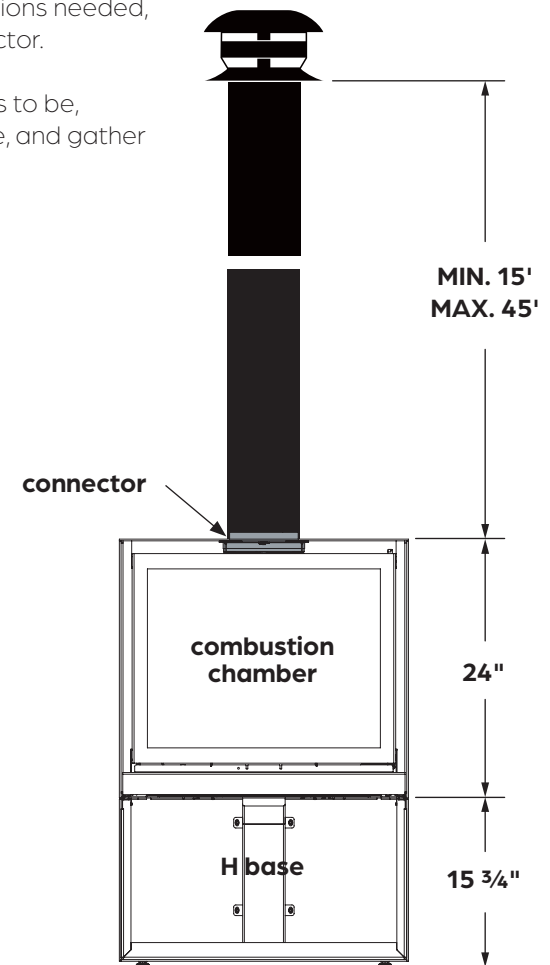
CHIMNEY LENGTH

It is recommended that the height of the chimney be between **minimum 15' and maximum 45'**, measured from the top of the unit to the bottom of the rain cap. This height impacts the draft and the efficiency of the unit. If this height is impossible, contact Stûv America technical service.

Before connecting, make sure that the stove is in its final location and is level (see page 24 if needed).

Calculate the number of chimney sections needed, starting from the smoke outlet connector.

Calculate how long the chimney needs to be, based on the information on this page, and gather all of the components needed.



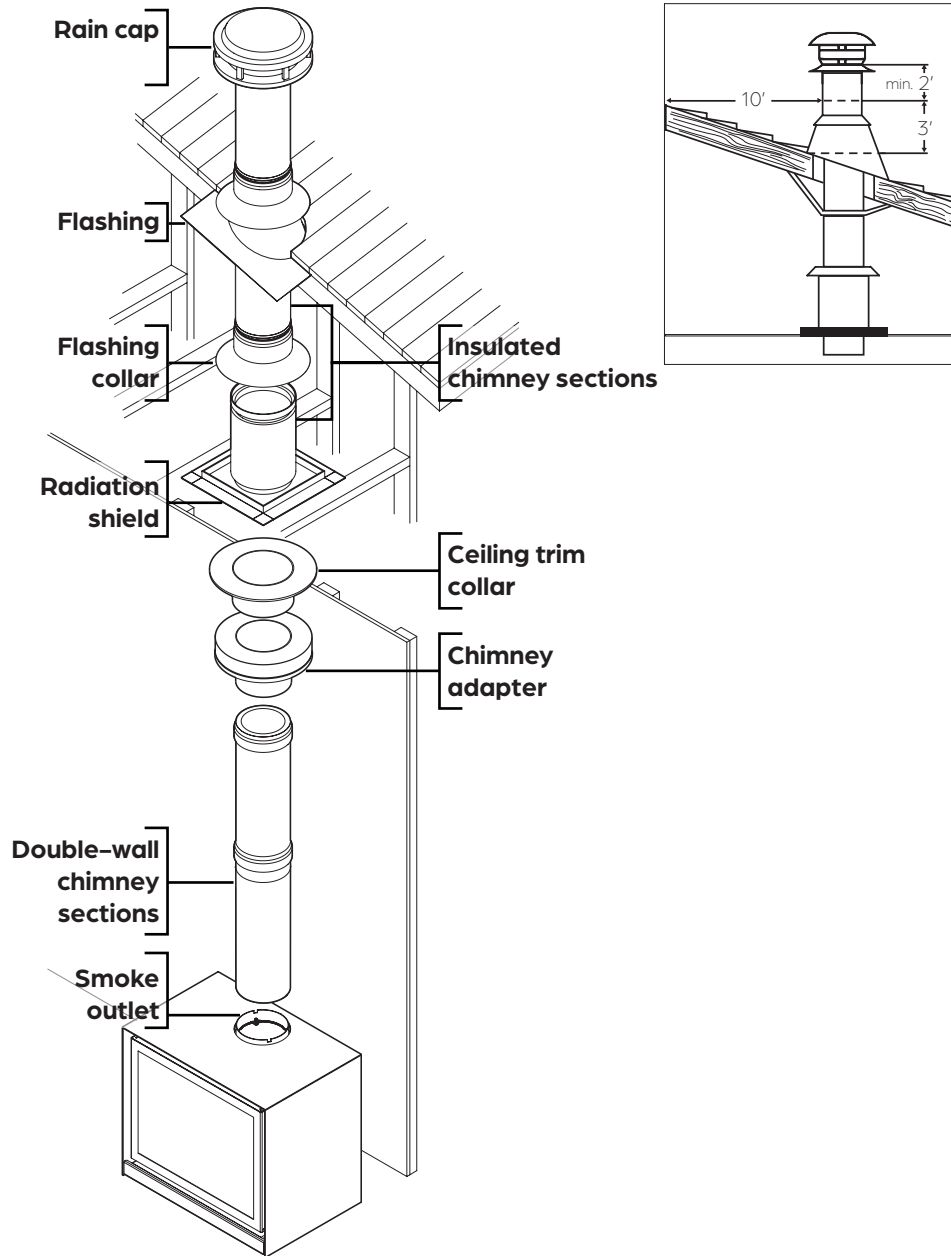
IMPORTANT

It is preferable, but not mandatory, to install a 3' straight chimney section between the unit and an offset.

In that case, **a straight vertical section** must be installed after the angled section.



INSTALLATION DIAGRAM



INSTALLATION PROCEDURE

CAUTION
Care must be taken during the chimney's installation. Shortcuts or compromises may result in safety hazards or even a fire.
Carefully read the installation manual provided with your chimney before installing. Some configurations may change the order of the steps.

Step 1 Once the stove is in place, install the double-wall chimney sections almost up to the ceiling.

Step 2 Create an opening between the ceiling(s), aligned with the chimney sections used. The cutout must be sufficiently large to fit the insulated chimney pipe.

Step 3 Install a chimney adapter and a ceiling trim collar to transition to the insulated chimney pipe.

Step 4 Install a radiation shield under each floor/ceiling the chimney crosses. In the attic space, install a radiation shield and a flashing collar.

Step 5 Connect the insulated chimney pipe sections all the way to the ceiling, from the first section installed previously. Follow the manufacturer's recommendations.

Step 6 Once at roof height, install a roof radiation shield. The shield must be installed so that it extends 1' above the roof line.

Step 7 Install the flashing.

- If the chimney is enclosed up to the roof, use ventilated flashing.
- If the chimney is not enclosed up to the roof, use regular flashing

Step 8 Gasket the joint between the roof and the flashing using asphalt-based gasketing compound. For a pitched roof, place the flashing under the upper shingles and over the lower shingles. Nail the flashing to the roof using roofing nails.

Step 9 Install the flashing collar around the chimney, just above the flashing. Gasket the collar with silicone gasketant. **(Do not use asphalt-based gasketing compound).**

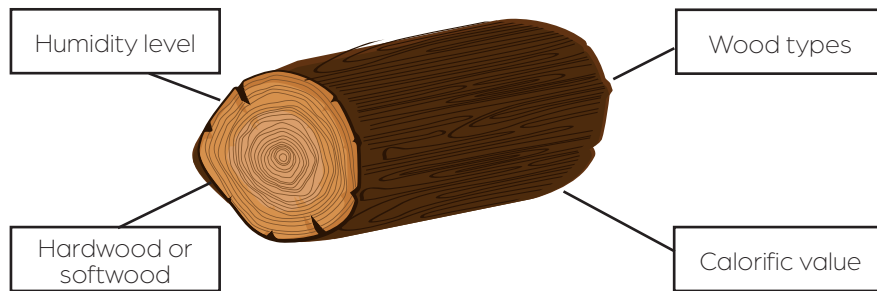
Step 10 Install and secure the rain cap to the top of the chimney.



6

USE

6.1	WOOD SELECTION	33
6.4	STARTING THE FIRE	34
6.3	RELOADING THE FIRE.....	36
6.4	ASH REMOVAL	36



HUMIDITY LEVEL

It is essential to use **dry wood** that has a moisture content of **less than 18%**. This will ensure **more efficient** and **clean combustion**.

Using **wet or semi-dry wood** with a moisture content **higher than 18%** will result in mediocre and less efficient combustion. The fire will be smaller and difficult to start. It will release a great deal of **black smoke** and **pollution** into the air and also sully your glass and chimney pipe.

To choose dry wood, use a moisture meter or check if...

- The wood is lightweight and slightly split
- You hear a snap when banging one log against the other
- The bark comes off easily
- There are cracks from the centre to the edge

HARDWOOD OR SOFTWOOD

The harder a wood is, the more heat it will produce and the slower it will burn (at equivalent moisture content).

Softwood can be used as kindling over hardwood. It burns more quickly (at equivalent moisture content) despite its lower calorific value.

- **Hardwood:** oak, beech, elm, ash, acacia, hornbeam, maple
- **Fruit tree wood:** walnut, cherry, pear, apple, olive
- **Softwood:** poplar, birch, linden, locust, chestnut
- **Resinous wood:** maritime pine, spruce, Scots pine, fir, larch

WOOD TYPES

Ash and beech are recommended as firewood as they dry quickly and are easy to find. They must be stored under a shelter immediately after being cut and split, otherwise they rot very quickly and lose their calorific value. They are easy to light and produce very bright, lively flames.

Maple has a good calorific value. It produces fires and embers that last a long time.

Oak is an excellent fuel, but unlike other wood species, it has to remain uncovered for two years to allow the rain to remove the tannins it contains. Then it has to be stored under shelter for another year or two before it can be burned. Small oak branches have a high sapwood content, which burns too quickly. Oak burns slowly, produces a calm fire and beautiful embers. It is ideal for barbecuing and for moderate fires.

Hornbeam, cherry and fruit trees are excellent fuels, but are rare. These are hardwoods. They produce beautiful, harmonious and calm flames, and beautiful embers. Ideal for a barbecue or a calm fire.

Birch, linden, chestnut, poplar and black locust are broad-leaved trees with soft wood. They produce beautiful, harmonious, but bright flames and few embers. Because they burn quickly, they can be used to start (or restart) the fire. Caution: Poplar produces abundant and volatile ash while black locust produces significant sparks.

Resinous woods (not recommended) generate a lot of heat, but they burn quickly. They throw sparks and the resins they contain cause build-up in the chimney.

CALORIFIC VALUE

Each type of wood has a different calorific value and all burn in different ways.

We strongly encourage the use of hardwoods such as hornbeam, maple, oak, ash, elm and beech. They produce beautiful flames and plenty of embers that glow for a long time.



CAUTION – NOT TO BE USED

Burn only firewood. Do not burn:

- Garbage
- Lawn clippings, yard waste or unseasoned wood
- Materials containing plastic, petroleum-based products, gasoline, liquid fuel or rubber, including tires
- Waste petroleum products, paints or paint thinners, or asphalt products
- Industrial solvents
- Flammable liquids such as naphtha and motor oil
- Painted wood, varnished wood or chemically treated wood
- Materials containing asbestos
- Construction or demolition debris
- Salt water driftwood or other previously salt-water saturated materials
- Railroad ties or pressure-treated wood
- Manure or animal remains
- Paper products, cardboard, plywood, or particleboard. The prohibition against burning these materials does not prohibit the use of fire starters made from paper, cardboard, saw dust, and similar substances for the purpose of starting a fire in this unit
- Any substance that emits dense fumes and strong odours

The heat produced by these materials is too great and can damage the appliance, in addition to causing soot to form on the glass and on the inside of the chimney pipe. These materials produce toxic and polluting fumes, such as carbon monoxide, which can be hazardous to health. Burning these materials may result in release of toxic fumes or render the heater ineffective and cause smoke.

Composite logs (ecological): Composite/ecological logs are to be avoided. They sometimes emit residues that sully the mechanisms and cause the appliance to age poorly.

Stûv appliances are designed for domestic use and must never be used to incinerate garbage of any kind.

This wood heater has not been tested with decorative sets (logs, pebbles) for unvented gas stoves. To reduce the risk of fire and/or injury, it is prohibited to install a decorative set in the combustion chamber of the appliance.



CAUTION

Read the safety instructions on page 7 before using the stove.

Upon first use, some smoke or odours may be produced. **Ventilate the room well.**



In case of a chimney fire

1. Call the fire department.
2. Put out the fire with a type A or ABC extinguisher (powder, foam or water and additive). Avoid using a bucket of water or any other hazardous method to put it out.
3. Air out the room in which the unit is located.
4. After a chimney fire, have the chimney cleaned and inspected by a professional.
5. Make any repairs necessary before using the unit again.

If the outside temperature is higher than the inside temperature, load more paper and more kindling to properly heat the chimney pipe and thus counter the temperature imbalance. First ignite balled-up pieces of paper and about 1 to 1 1/2 lb. of kindling ±3/4 sq. in.-thick.

The maximum load to avoid overfiring is **2x the weight of the hourly consumption**. Refer to the table on page 5.



IMPORTANT

Store the wood in a weatherproof location to keep it dry. Do not store it in the risk area, stove loading area, ash removal area or inside the mandatory clearances indicated in the **DIMENSIONS** section.



CAUTION

The stove must always be operated with the door closed. Otherwise, smoke and flames could come out of the opening and cause significant damage.

Only open the door to start the fire or to add wood.

Step 1 Using the door handle provided with the unit, open the door by turning the door handle.

Allowing the door to slam could break the glass. Do not start a fire if the glass is broken.

Step 2 Place the wood logs in the combustion chamber using the top-down lighting technique as shown for better combustion. Do not place the logs too close to the glass.

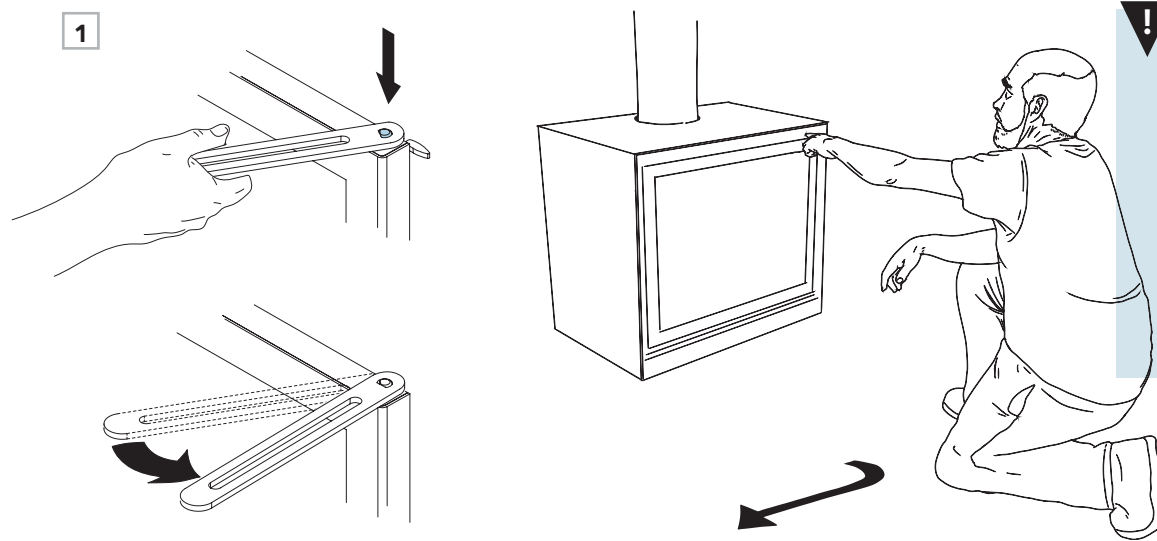
Step 3 Light the fire.



ATTENTION

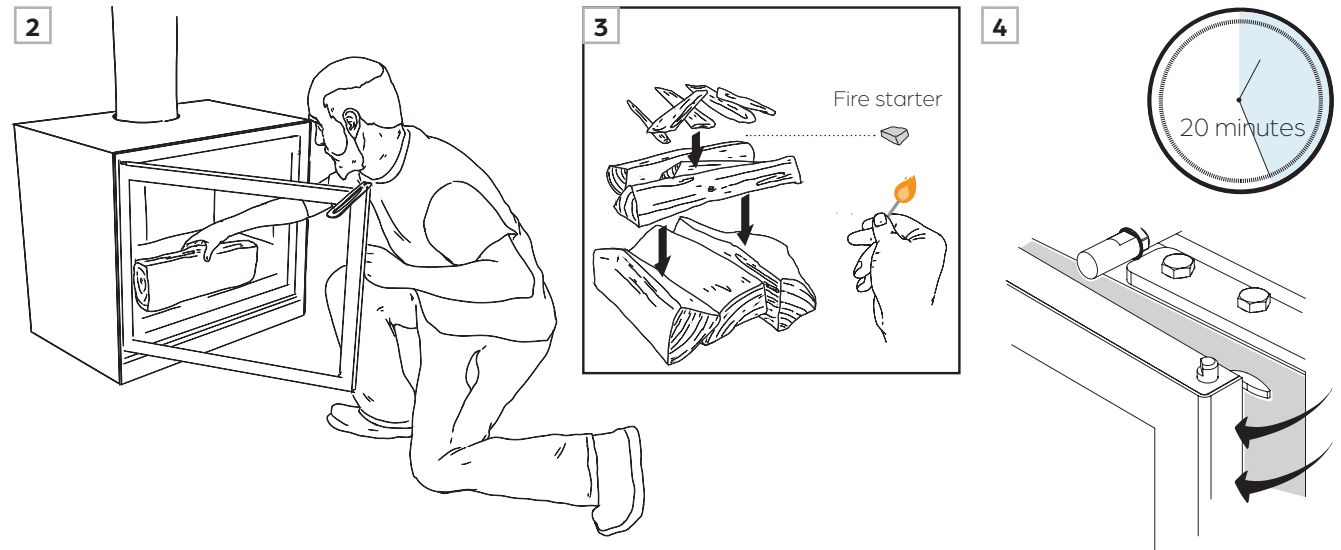
It is recommended to use fire starters made from sawdust or wood fiber, without chemical and toxic additives. Paraffin or other waxy substances can block the air supply system.

Step 4 Leave the door ajar for minimum 20 minutes. This helps create a better draft when starting a fire and prevents smoke condensation and soot deposits. Close the door once the fire is burning well.



NOTE

Burning one log at a time increase the amount of embers and coal. While burning two or more logs, the combustion is optimized and this will reduce unburned residues.



6.3 RELOADING THE FIRE

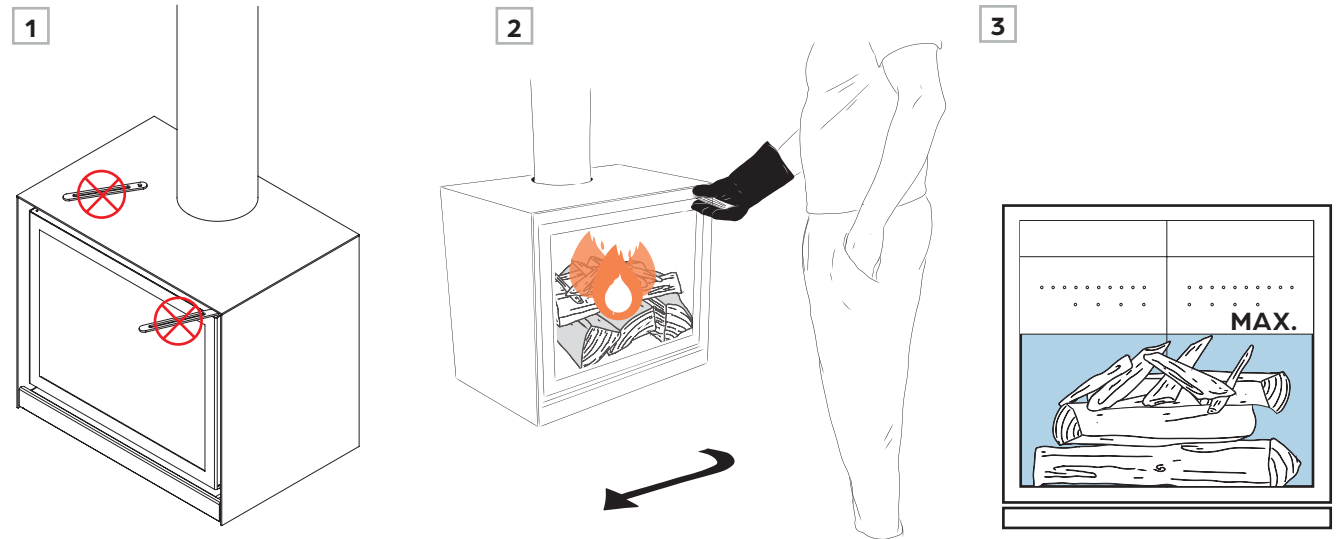


Step 1 Never leave the door handle on top of the cube shell or grip cylinder. It will get very hot and could damage the paint.

Step 2 Add wood using the Stûv glove provided with the unit.

Do not stir the wood or move it around while it is burning. Use a poker if necessary.

Step 3 Only fill the combustion chamber halfway with solid fuel.

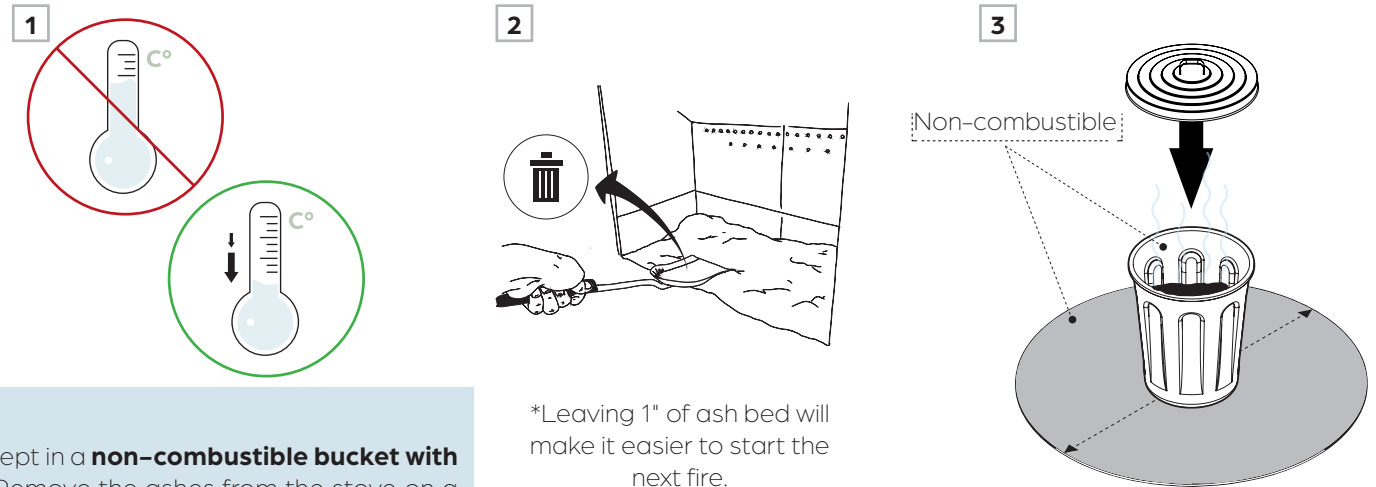


6.4 ASH REMOVAL

Step 1 Wait until the ashes are cold to be able to safely open the door.

Step 2 Use an ash shovel to remove the ashes. Place them in a metal bucket.

Step 3 Place the bucket filled with ashes on a non-combustible surface. Be sure to keep it away from any combustible materials.



NOTE

Before disposing of the ashes, they should be kept in a **non-combustible bucket with a tight lid** until they have cooled completely. Remove the ashes from the stove on a regular basis. Burning ashes can damage the glass's lower gasket. This deterioration is not covered by the warranty.



7

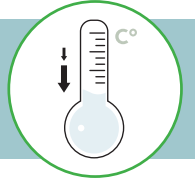
MAINTENANCE

- 7.1 REGULAR MAINTENANCE 38
- 7.2 REPLACING COMPONENTS..... 39
- 7.3 CREOSOTE AND CHIMNEY-SWEEPING 42



CAUTION

Do not conduct maintenance while the unit is hot. Wait until it has cooled completely.



Every year, perform annual maintenance on the unit:

- Vacuum the ashes from the joint section
- Check the condition of the door's gasket
- Check the condition of the glass's gasket

Follow the steps on the following pages to conduct these checks.

Clean the glass when the unit is cool. Never use abrasive cleaners.

- Use the door handle to open the door 90°.
- If necessary, protect the painted parts of the unit and the floor finish.
- Clean with a non-abrasive glass cleaner or clear water. You can also use ashes mixed with water to remove accumulated soot.

During the heating season, have your chimney regularly inspected by a professional. It is recommended that you have your chimney swept twice per heating season to prevent creosote build-up.

Remove excess ash after each use. Do not wait for the ashes to overflow from the stove. Excess ash can obstruct the supply of fresh air during combustion and can damage the gaskets.

Ash removal is explained in the USE section of this manual.

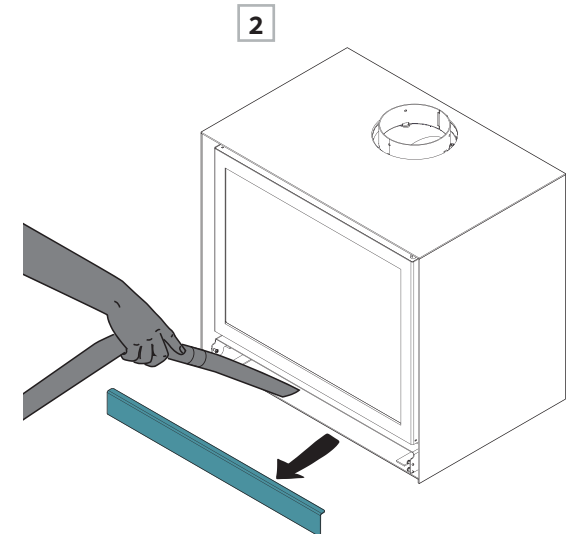
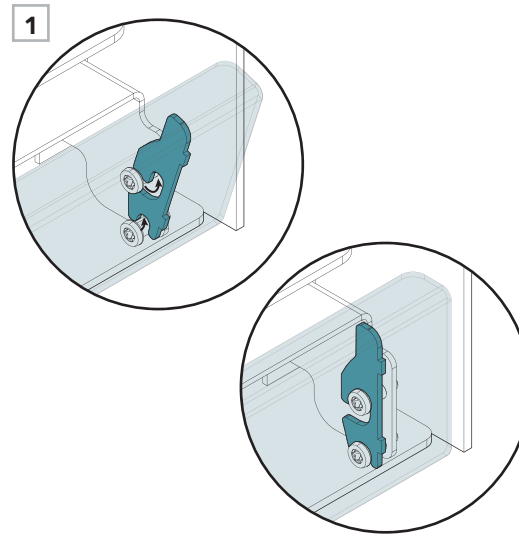
Stûv recommends using genuine replacement parts. Using a substitute may affect the unit's operation and will void the warranty. **Contact a Stûv dealer** in the event of deterioration of the parts.

For all other parts that need to be replaced, but whose disassembly steps are not included in these instructions, contact an authorized Stûv America dealer.

To vacuum the ashes in the joint section:

Step 1 To remove the flap, slide it upward, then turn it slightly toward you.

Step 2 Vacuum inside and then put the flap back.



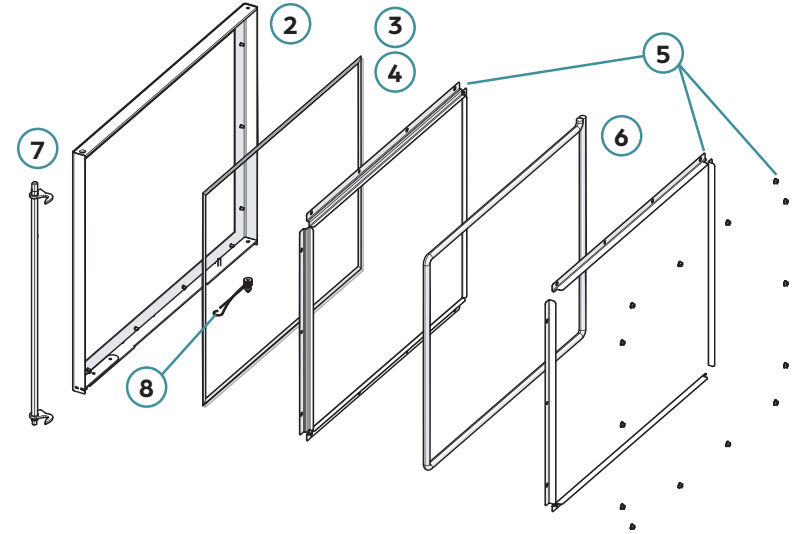
7.2 REPLACING COMPONENTS



Step 1 The next steps explain how to disassemble the parts that make up the door.

1

#	DESCRIPTION	16-58	16-68	16-78
1	full door	PW1400804000	PW1400804100	PW1400804200
2	door frame	PW1499721000	PW1499723400	PW1499725800
3	glass and gasket kit	PW1400601400	PW1400601500	PW1400601600
4	glass gasket	PW1400503300	PW1400503400	PW1400503500
5	gasket clamps and nuts	PW1400402900	PW1400403000	PW1400403100
6	door gasket	PW1400504900	PW1400505000	PW1400505100
7	door latching kit	PW1499717000		
8	door latch spring	PW5511100600		



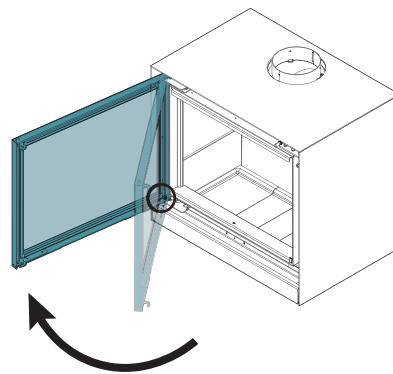
Follow the next steps for all maintenance performed on the unit.

Step 2 Use the door handle to open the door 90°.

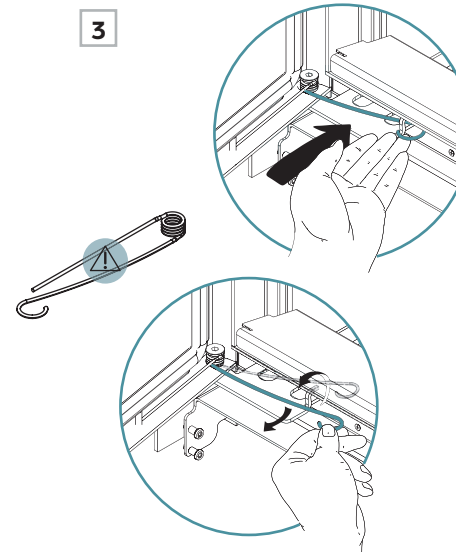
Step 3 Locate the spring at the bottom of the door, near the rotation axis. Disengage the spring by pushing it down and pulling forward.

Step 4 Remove the door and put it in a safe place where it will not get damaged.

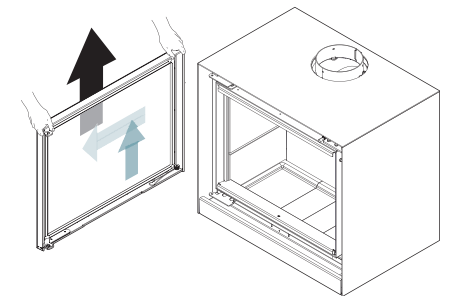
2



3



4



7.2 REPLACING COMPONENTS

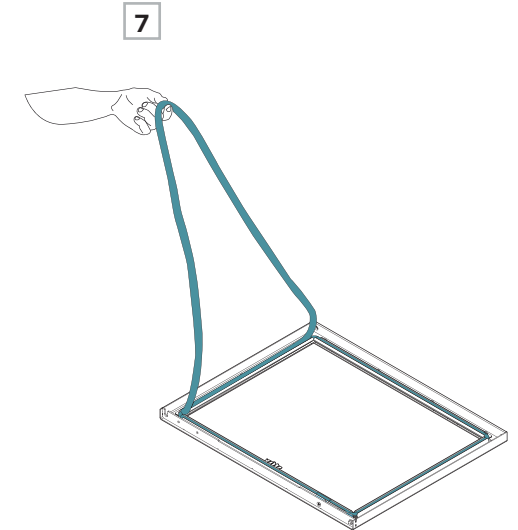
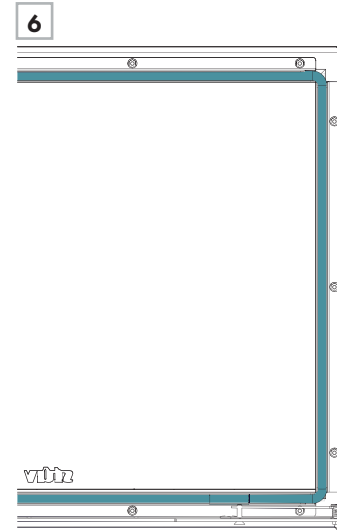
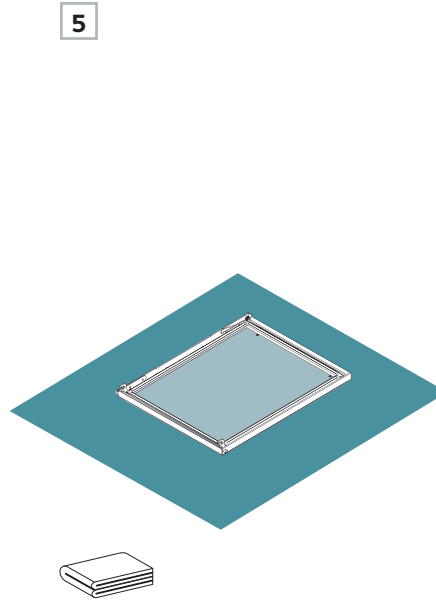


Step 5 Place the door on a protective fabric to protect the paint and to be able to continue disassembling it more comfortably.

For all maintenance performed on the door's components, follow the next steps until you reach the component to service or change.

Step 6 Locate the black door gasket in the gasket clamps.

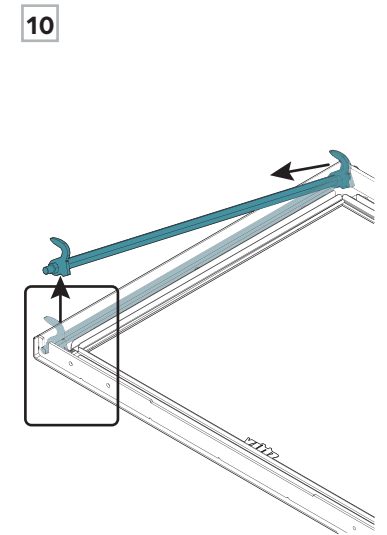
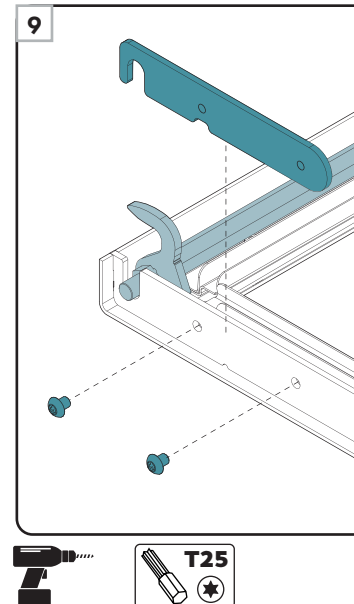
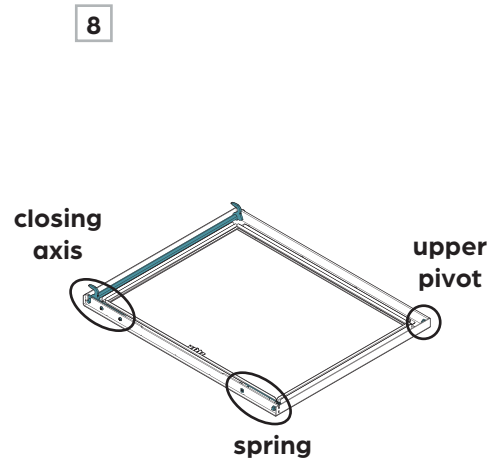
Step 7 Gently pull on the gasket to remove.



Step 8 Several of the door parts can be modified. Here are the three work areas.

Step 9 The first part that can be removed is the closing axis. This pin along the frame can be unlocked by removing two screws.

Step 10 Remove the closing axis by lifting the bottom part and sliding it upward, out of the door frame.



7.2 REPLACING COMPONENTS



Step 11 Only remove the upper pivot **if it is damaged**. If needed, use a 10 mm hex socket to unscrew the door.

Step 12 The spring is supported in two places. The straight pin is behind a screw (use a 3 mm Allen key) while the spring's cylinder is wrapped around a screw (5 mm) and a pivot (10 mm).

Step 13 Remove these three pieces of hardware to change the spring.

Step 14 Unscrew the nuts to remove the gasket clamps and glass retaining clips.

Step 15 The glass is the last component to disassemble. Check the gaskets and change them or the pane if needed.

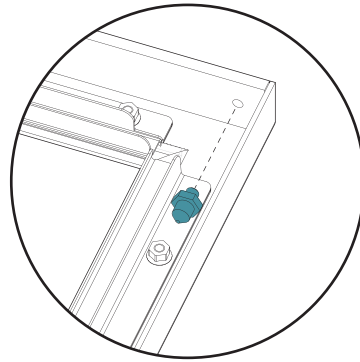
Replace glass only with Stûv's ceramic glass 4 mm thick, able to withstand high temperatures.

MODEL	GLASS
16-58	439 mm x 466 mm
16-68	439 mm x 566 mm
16-78	439 mm x 666 mm

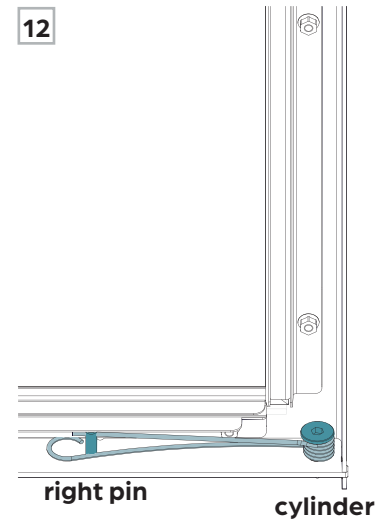
Step 16 Follow the steps in reverse to re-assemble the door and reattach it to the appliance.

- Replace the glass and gasket.
- Screw the gasket clamps back on with the nuts.
- Re-place the closing axis and screw it back on.
- Reinsert the door gasket.
- Put the door back on its hinges.
- Screw the spring on and re-engage it.
- Close and lock the door.

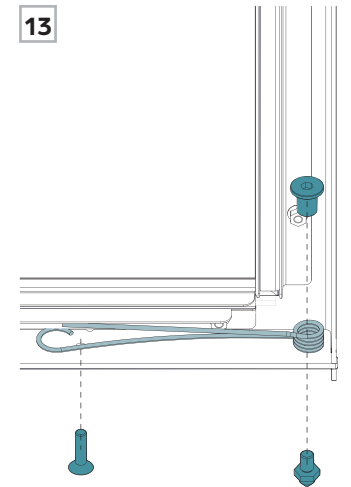
11



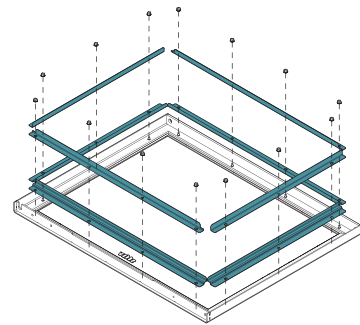
12



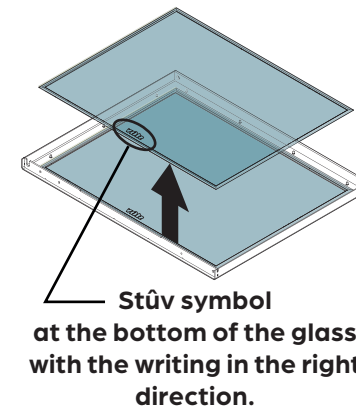
13



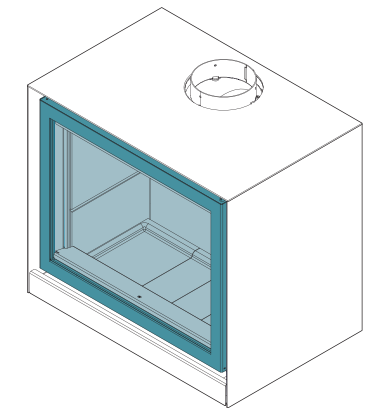
14



15



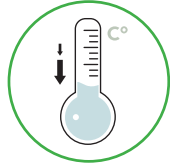
16





Chimney-sweeping steps

Wait until the unit has cooled completely before performing maintenance.



If the sweeping is being done **from the roof**:

- Use the door handle to close and lock the door.
- Sweep according to your country's regulations.

If the sweeping is being done from **inside the house**:

- Open the door fully or even remove it if needed.
- Remove the top vermiculites supported by the baffles (follow the steps at the bottom of the page).

Creosote is a thick, black residue that forms due to incomplete combustion of wood. It can be brittle or smooth (vitrified). During slow combustion, wood releases tar droplets that condense on the cold chimney lining. The shape of the residue varies with time and the internal temperature of the lining on which the creosote vapours condense.

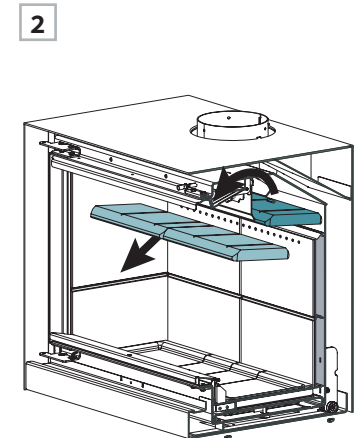
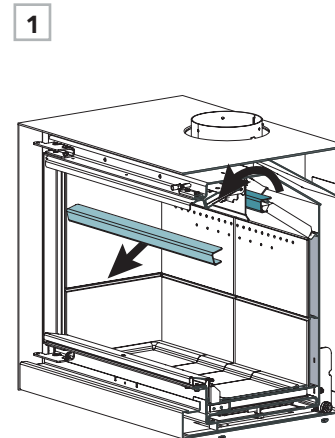
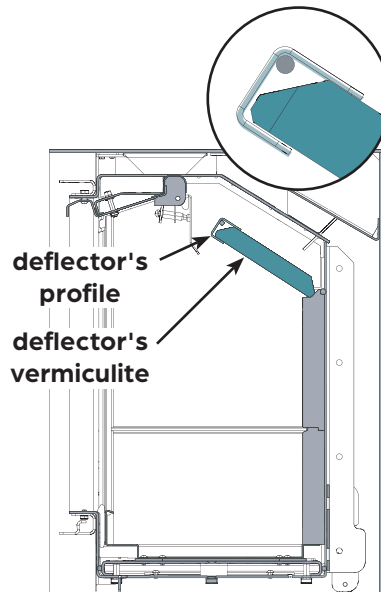
This build-up of creosote can be very hazardous. When ignited, it produces an extremely hot fire in the chimney. Have your chimney professionally **inspected twice during the heating season** to assess whether or not a creosote build-up has occurred. If so, remove any built-up residue to **reduce the risk of a chimney fire**.

It is recommended that the unit's main user establish a chimney maintenance routine. Check for creosote build-up on a daily basis to get a good idea of how often the chimney needs to be swept for safety. The hotter a fire burns, the less creosote will build up. Weekly sweeping may be necessary in milder weather, while monthly sweeping can be sufficient during the colder months. **Contact your local or provincial fire department for information on how to put out a chimney fire.**

To sweep from inside the unit, the deflector's profile and vermiculites must be removed.

Step 1 Remove the deflector's profile by pivoting it slightly toward you. **The longer side of the profile must be over the vermiculites.**

Step 2 Remove the vermiculites with a similar movement. Take care as they come apart easily.



8

WARRANTY

8.1	WARRANTY DETAILS	41
8.2	WARRANTY FORM	42



8.1 WARRANTY DETAILS



WARRANTY COVERAGE

Stûv appliances are guaranteed against:

- manufacturing defects
- paint defects on the visible parts of the unit
- glass breakage, but only if it occurs during the first firing
- shipping-related damage if we are notified within 48 hours of delivery and the damage is noted on the carrier's bill of lading when the unit is received (website)

This warranty does not cover damage to the appliance or malfunctions due to:

- installation that does not comply with the applicable regulations or the installation instructions
- abnormal use that does not comply with the directions for use
- lack of maintenance
- an external cause, such as a flood, lightning strike, fire, etc.

The warranty is limited to replacing the parts deemed defective and does not include labour or damages.

WARRANTY TERMS

This document must be returned to us, duly completed, within one month of the date of the dealer's invoice to the buyer.

Duration of the warranty:

- 5 years on the body of the appliance
- 1 year on refractory materials, gaskets, door mechanism, hinges and latches.

The warranty period begins on the date of the dealer's invoice to the buyer. The replacement of parts under warranty does not extend the duration of the initial warranty.

When an item is defective, it is important to quickly notify an authorized Stûv dealer. They will contact Stûv America to fill out the warranty form. They will need:

- the unit's serial number
- the date the unit was purchased
- an explanation of the defective item
- photos of the defective item

With this information, Stûv America will be able to validate whether the part is covered by the warranty and judge the relevance of changing it. The dealer will also be in charge of installing the new part.

CERTIFICATE OF WARRANTY

This Stûv appliance has been designed to offer you maximum pleasure, comfort and safety. It has been manufactured with the utmost care using quality materials and components to provide years of trouble-free operation.

Should you notice a defect in spite of this care, we commit to rectifying the situation. However, as a user, you also have an important role to play in getting the satisfaction you expect from your Stûv.

We strongly recommend:

- having the unit installed by a qualified professional who can ensure that the installation of the appliance and the integrity of the chimney are in compliance with the certifications and the building code,
- carefully reading the operating and maintenance instructions,
- having the chimney swept regularly (once per heating season, for regular use) to ensure optimal operation and maximum safety.

8.2 WARRANTY FORM



THE APPLIANCE

Serial no.: _____

Model: _____

Invoice date: _____

Installation date: _____

*The serial number can be found on the marking label at the bottom of the combustion chamber. The location of the label is indicated on the first page of the *CERTIFICATION* section.

THE INSTALLER

I, the undersigned,
declare that the above-mentioned appliance has been installed in compliance with the existing regulations and in accordance with the technical recommendations in the installation instructions.

Date: _____

Signature: _____

Company: _____

Name: _____

Address: _____

Tel no.: _____

THE DEALER

Company: _____

Name: _____

Address: _____

Tel no.: _____

THE BUYER

Name: _____

Address: _____

Email: _____

Tel no.: _____

Installation address (if different): _____

PLEASE FILL OUT THIS FORM AND SEND IT TO US VIA:

Our website: **stuvamerica.com**
On the Warranty and Product Registration page

Stûv America Inc.
34, Boulevard de l'Aéroport
Bromont Québec J2L 1S6 Canada

Email: **info@stuvamerica.com**
Tel.: +1-866-487-7888
Fax: +1-514-528-9538



Stûv stoves are designed by:

Stûv sa – Belgique
stuv.com

Rue Jules Borbouse n°4 B-5170
Bois-de-Villers

And manufactured in North America by:

Stûv America inc. – Canada
stuvamerica.com

34, Boulevard de l'Aéroport
Bromont QC Canada J2L 1S6

1-514-396-3463 | 1-866-487-7888