

Owner's Manual

Residential Factory Built Fireplace

Operation • Maintenance • Installation

PEARL 3600



Keep these instructions for future use.



Industrial Chimney Company Inc.
400 J.-F. Kennedy, St-Jerome, QC, Canada, J7Y 4B7
Telephone: (450) 565-6336
www.icc-rsf.com

RSF-IIPRL3600 – 2021-01

Dear Customer,

The PEARL 3600 incorporates technology with elegance to give you a beautiful view of the fire without compromising on heating efficiency or environmental quality.

We have designed your new PEARL 3600 to be easy to install, operate and maintain. It is in your best interest to become familiar with it. Study your manual to be sure that the installation is correct, then follow the guidelines for operation and maintenance.

We at **RSF Woodburning Fireplaces** congratulate you on your choice of the PEARL 3600, and are confident that you have purchased a fireplace that is *simply, the best*.

Sincerely,

The RSF Woodburning Fireplaces Team

TABLE OF CONTENT

SAFETY FIRST	3	REFUELING	23
DO'S AND DONT'S	3	IMPROVING EFFICIENCY	24
CREOSOTE: FORMATION AND REMOVAL	3	IMPORTANCE OF DRAFT	24
GENERAL SPECIFICATIONS	4	BURN TIME VS. HEAT OUTPUT	24
OPTIONS	4	TROUBLESHOOTING PROBLEMS	24
UNIT DIMENSIONS AND CLEARANCES	5	MAINTENANCE	25
INSTALLATION	7	CHIMNEY CLEANING	25
GENERAL INSTALLATION	7	DISPOSAL OF ASHES	25
LOCATION	8	GENERAL CLEANING	25
FRAMING	8	GLASS CLEANING	25
CEILING CLEARANCE	9	PAINT	26
SECURING THE FIREPLACE IN PLACE	9	DOOR ADJUSTMENT	26
TOP STANDOFF INSTALLATION	9	LISTING LABEL	27
OUTSIDE AIR DUCT	10	COMPLETE OPTIONS LIST	28
FINISHING AROUND THE FIREPLACE	11	REPLACEMENT PARTS	30
CHIMNEY	14	LIMITED WARRANTY	31
CHIMNEY INSTALLATION	14		
OFFSET CHIMNEY	15		
CHASE ENCLOSURE	17		
MASONRY CHIMNEY	17		
HEARTH EXTENSION	18		
BENEATH THE HEARTH EXTENSION	19		
MOBILE HOME REQUIREMENTS	20		
REFRACTORY BRICK INSTALLATION	20		
OPERATION	21		
AIR CONTROLS	21		
LIGHTING	22		
FUEL	23		
FIRST FIRES	23		

SAFETY FIRST

DO'S AND DONT'S

If this fireplace is not properly installed, a house fire could result. For your safety, follow the installation directions. Contact your local authority having jurisdiction (such as municipal building department, fire department, fire prevention bureau, etc.) regarding restrictions and installation requirements, and the need to obtain a permit.

To ANYONE using this fireplace: these **DO's** and **DONT's** are for your safety.

1. **DO** read this instruction manual before lighting your first fire.
2. **DO** burn seasoned wood fuel or densified fuel logs or a combination of densified fuel logs and wood fuel.
3. **DO operate the fireplace with the door fully closed.** If the door is left partly open, gas and flame can be drawn out of the fireplace opening, creating both fire and smoke hazards.
4. **DO** keep all combustible materials (furniture, firewood, etc.) at least 4' away from the front of the fireplace.
5. This fireplace needs periodic inspection and repair for proper operation. **DO** learn to properly use it and maintain it.
6. **DO** have at least one smoke detector on each level of the house and at least one carbon monoxide detector.
7. To avoid glass breakage, **DO NOT** slam the fireplace door.
8. **DO NOT** ever use gasoline, gasoline-type lantern fuel, kerosene, charcoal lighter fluid or similar liquids to start or freshen up a fire in this fireplace. Keep all such liquids well away from the fireplace while it is in use.
9. **DO NOT** overfire the fireplace. If you are unable to slow down the burn rate of the fire or if the chimney connector behind the top louver glows red, you are overfiring the fireplace.
10. **DO NOT** use a fireplace grate or other products not specified for use with this fireplace.
11. The burn rates are set by the manual air control at the factory. **DO NOT** tamper with the air control. **DO NOT** install a flue damper that would allow you to reduce the chimney draft and thus slow the minimum burn rate.
12. To avoid damaging the fireplace, **DO NOT** operate it in a manner inconsistent with the operating instructions in this manual.
13. **DO NOT** install an insert in this fireplace.



◆ **NOTE:** We strongly recommend that our products be installed and serviced by professionals who are certified by the National Fireplace Institute in the U.S. or by Wood Energy Technology Transfer Inc. in Canada.



CREOSOTE: FORMATION AND REMOVAL

When wood is burned slowly, it produces tar and other organic vapors which combine with the expelled moisture from the wood to form creosote. The creosote vapors can condense in the relatively cool chimney of a slow burning fire. As a result, creosote residue accumulates on the flue lining. When ignited, this creosote makes an extremely hot fire.

The chimney should be inspected periodically during the heating season to see if a creosote build-up has occurred. The presence in a chimney of soot or creosote in excess of 1/8" (3mm) thick will indicate the need for immediate cleaning, possible modification of burning procedures, and more frequent inspections.

❖ **WARNING: BURN DRY WOOD ONLY.**
DO NOT BURN: DRIFTWOOD, TREATED WOOD, COAL, GARBAGE, OR PLASTIC

Do not use construction scraps (e.g. 2x4 or plywood scraps) as your only supply of fuel as you can overheat and seriously damage the fireplace. See Fuel section for more details.

GENERAL SPECIFICATIONS

The PEARL 3600 is environmentally friendly and meets the 2020 United States Environmental Protection Agency (EPA) particulate emission standard with cordwood at an average emission rate of 1.5 grams per hour.

It also has an optimal efficiency of 79%. This has been established using the high heating value of the wood, under the best burning conditions and using CSA B415.1-10 calculations.

This fireplace is suitable for manufactured / mobile home installations, using solid fuel only.

Furthermore, the weighted average EPA efficiency is 74%. The later has been established using the higher heating value of the wood, while burning EPA cordwood and using CSA B415.1-10 calculations.

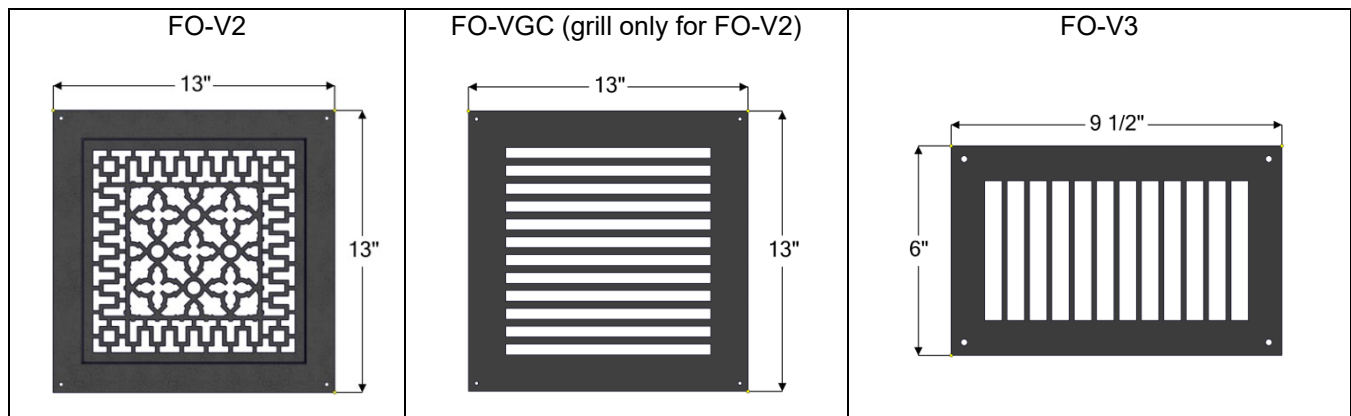
It has been shown to deliver heat ranging from 13 000 to 50 000 BTU/h with an average of 25 000BTU/h. Please refer to the "Improving efficiency", the "Importance of draft", the "Brun Time vs. Heat Output" and "Fuel" sections to better understand the various factors that influence the efficiency and heat output of your fireplace.

OPTIONS

Internal Blower (FO-FDHB8): For increased air circulation and marginally more heat output, you can add an optional fan.

Gravity Vents (FO-V2, FO-VGC or FO-V3): If you have any rooms directly above or adjacent to the room with the fireplace that you would like to heat, you may want to consider the Gravity Vent Kits. The gravity vent uses ducts and vents to distributes hot air to these rooms without the need for a blower.

Each gravity vent kit includes 5' of insulated flexible ducting, a gravity vent starter, an outlet grill adapter, and a decorative outlet grill. The different grill designs are shown below:



Heat Dump (FO-HD): For a simple way to pull heat away from the fireplace to another room or to the basement, we offer the Heat Dump Kit. It includes a 180 cfm blower and is most often used to prevent the room with the fireplace from overheating and provide supplemental heating to the basement when the fireplace is on the main floor.

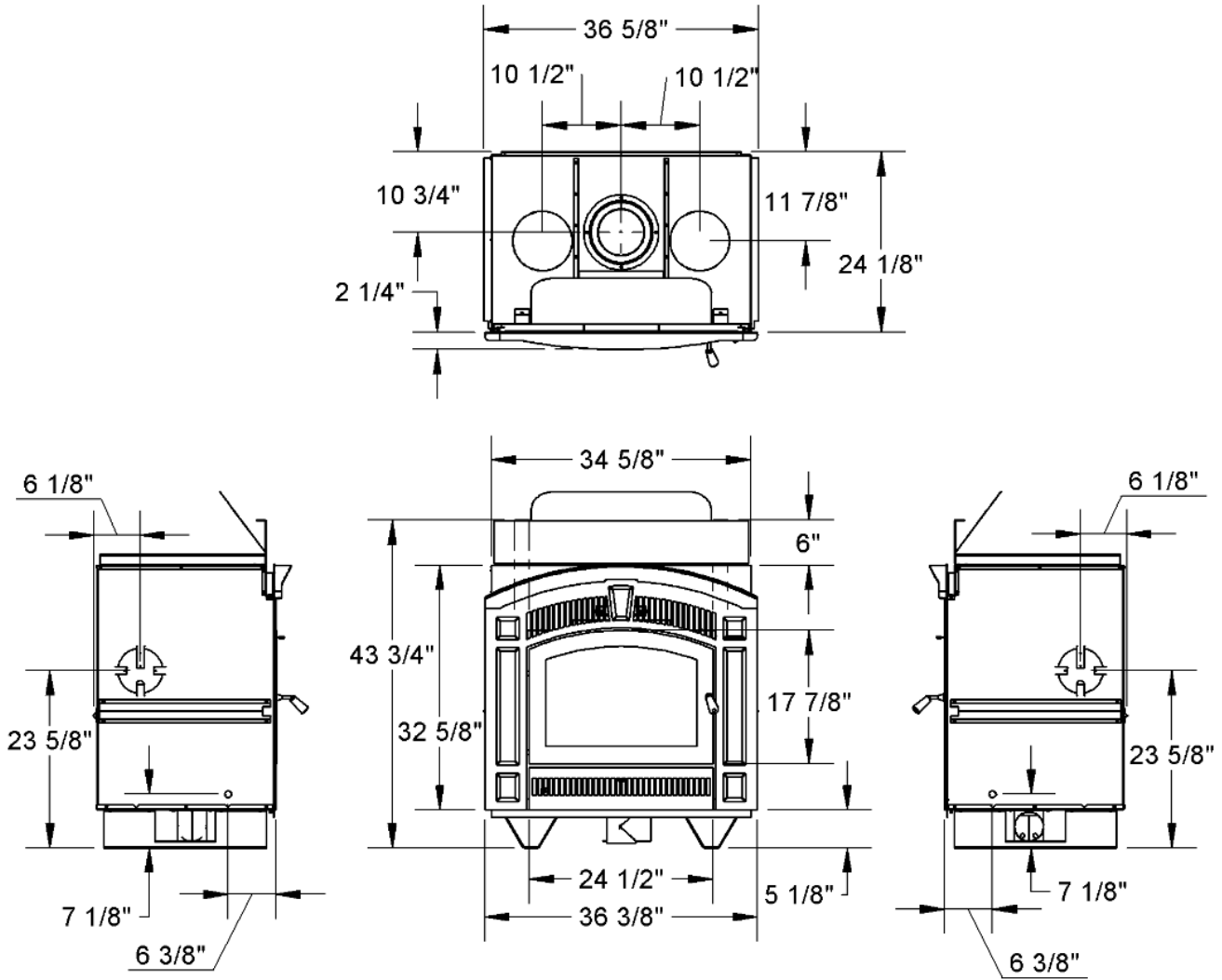
Gasket Replacement Kit (FO-GRK9): Over time, the door seal will develop wear and eventually needs to be replaced when air leaks into the firebox. If you notice difficulty slowing down the rate of burn or shortened burn times, it may be a good time to replace your door gasket.

◆ **NOTE:** Some options require wiring and/or electricity for their installation. If there is any chance that any of these options will be installed in the future then suitable wiring should be run during framing. Otherwise, it will be difficult to install these options later. You can refer to page 28 for a list of options that require electricity.

Detailed installation instructions are included in the box with each option. These can also be obtained from our Internet Web Site: www.icc-rsf.com.

◆ **WARNING:** This fireplace has not been tested with a gas log set (unvented or vented). To reduce risk of fire or injury, do not install a gas log set (unvented or vented) into this fireplace. Do not install a gas log lighter because the heat produced by the fireplace will permanently damage the gas log lighter.

UNIT DIMENSIONS AND CLEARANCES



For the side wall clearance

Distance from the side standoff to the side of the firebox opening:
8 1/8"

For the mantel shelf clearance

Distance from the fireplace base to the top of the firebox opening:
27"

Figure 1 Unit Dimensions

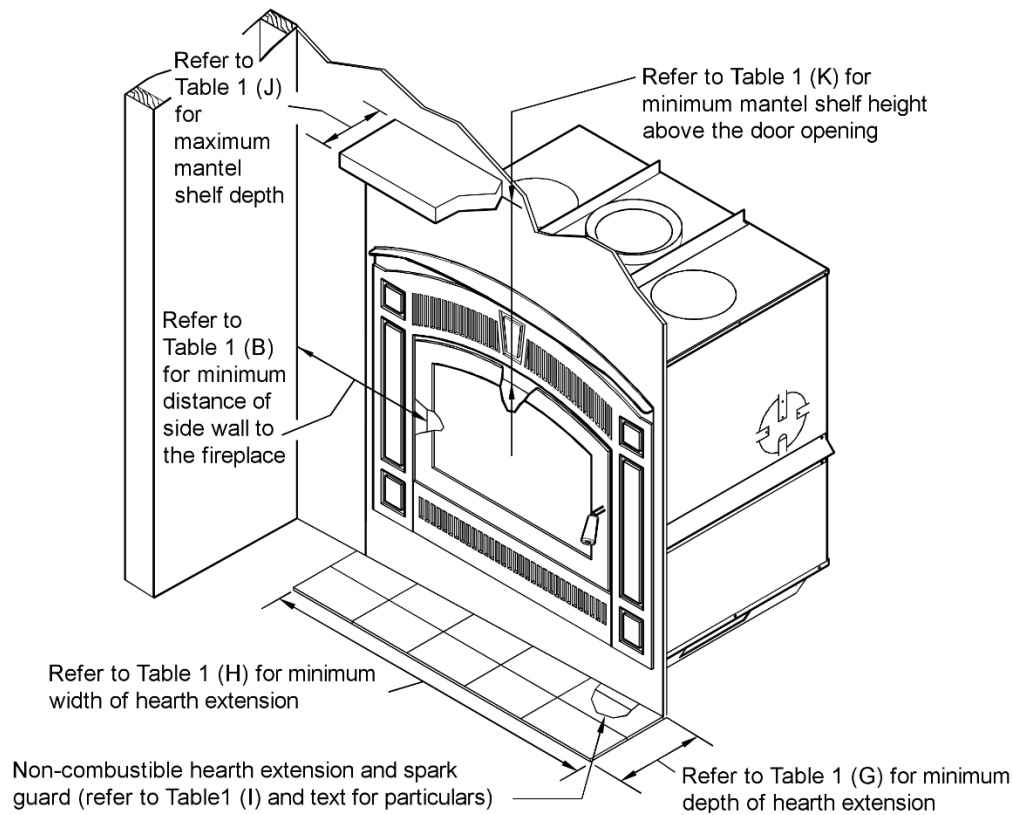


Figure 2 Unit Clearances

Table 1 Unit Dimensions and Clearances

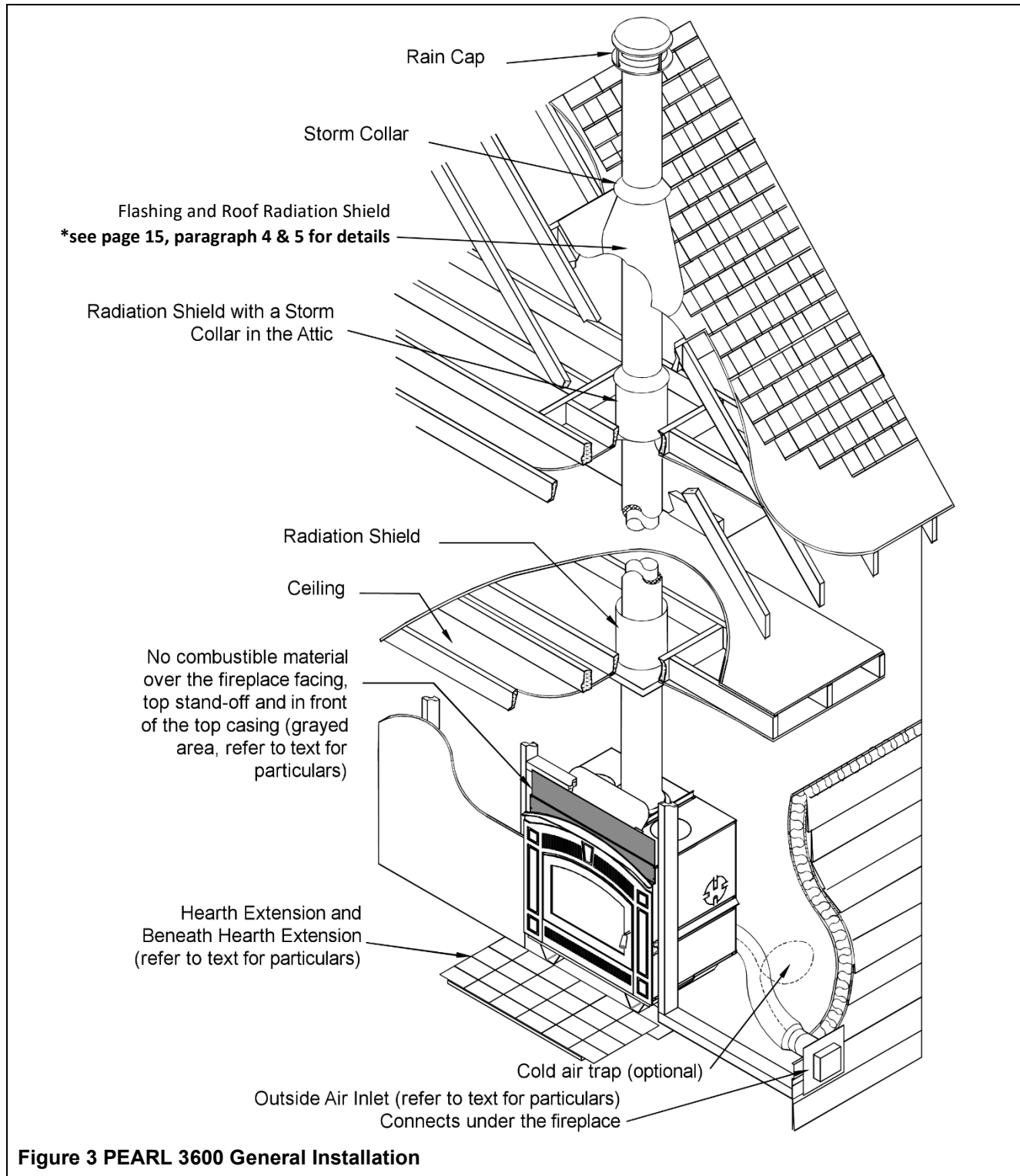
A	Distance of combustible material from side, back and top standoffs	0" (0,0 mm)
B	Minimum distance from the side wall to the side of the firebox opening	12" (305 mm)
C	Minimum ceiling clearance: from the bottom of the bottom standoffs (legs) of the fireplace to the ceiling <ul style="list-style-type: none"> • in the enclosure above the fireplace and • in the room in front of the fireplace 	Standard 6' (1,83 m) Mobile home 7' (2,13 m)
D	Minimum chimney height: minimum total chimney height from fireplace top to below the chimney rain cap – Refer to Table 4 if elbows are present	Standard 12' (3,66 m) Mobile home 8' (2,44 m)
E	Maximum chimney height: maximum total chimney height from fireplace top to below the chimney rain cap	36' (13,72 m)
F	Maximum chimney height supported by the fireplace	20' (6,10 m)
G	Minimum depth of non-combustible hearth extension: from the front of the fireplace	18" (457 mm)
H	Minimum width of non-combustible hearth extension: total width, must be centered on the firebox opening	36½" (927 mm)
I	Minimum width of the spark guard	36" (914 mm)
J	Maximum mantel shelf depth (see Table 2 for other mantel sizes)	12" (305 mm)
K	Minimum height of a combustible mantel shelf above the top of the firebox opening: to the bottom of the combustible mantel (refer to the "Installation: Mantel" section for particulars)	See Table 2
L	Maximum depth of a combustible mantel post	See Table 3

INSTALLATION

GENERAL INSTALLATION

Check with your local authority having jurisdiction (such as municipal building department, fire department, fire prevention bureau, etc.) regarding restrictions and installation requirements, and the need to obtain a permit.

◆ **NOTE:** We recommend that you remove the door until after all finishing work is completed around the fireplace. This will reduce the possibility of scratches, vandalism, or damage to the finish caused by drywall dust, muriatic acid, plaster, cement, paint or any other harmful spray or liquid.



LOCATION

We recommend that you take the time to plan your entire installation (fireplace, chimney, and options) before beginning the actual installation (refer to Figure 3). Your PEARL 3600 fireplace may be installed in many different ways (see Figure 4) without any special floor reinforcement.

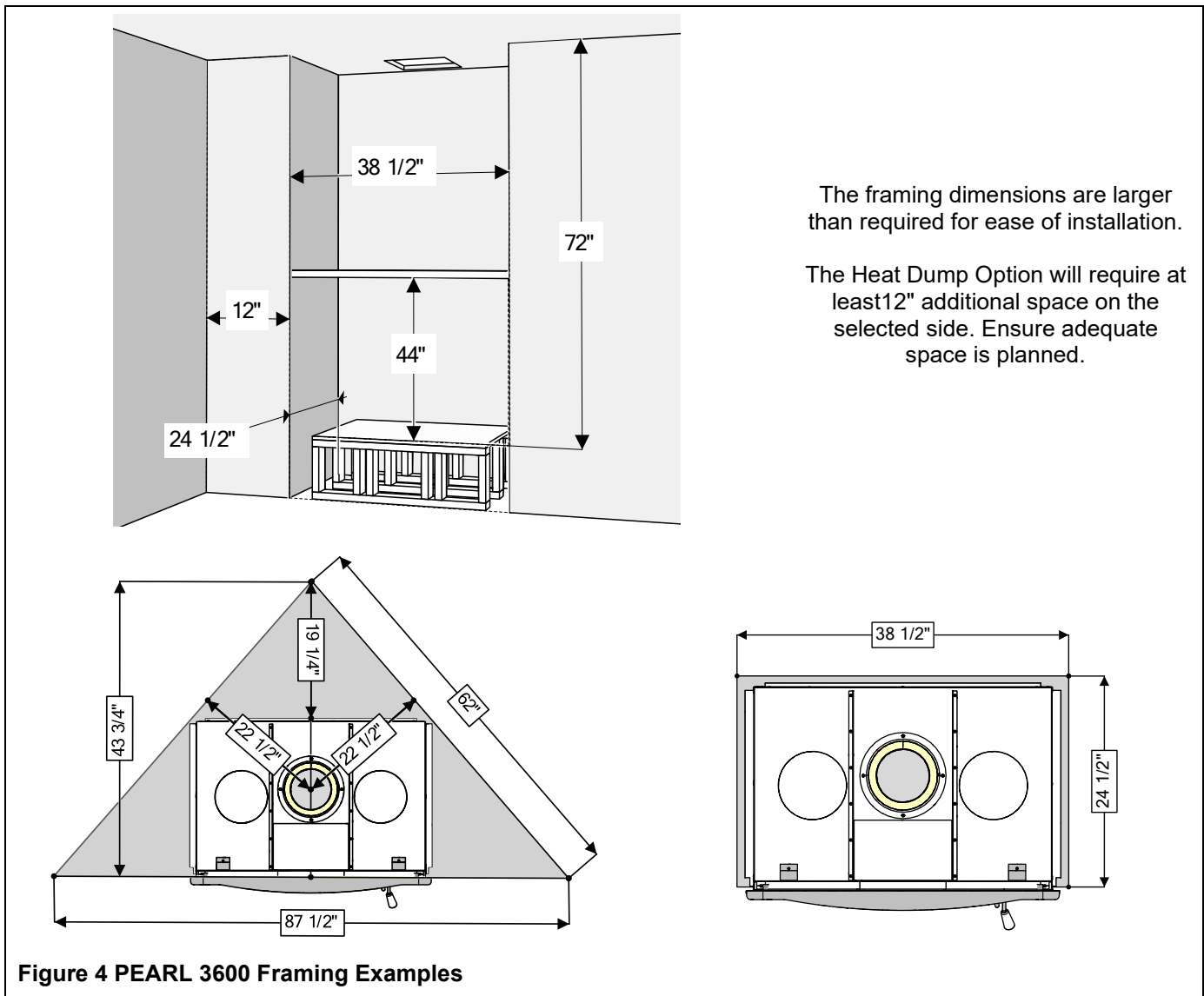
Dimensions of the fireplace along with clearances are shown in Figure 1 and Table 1.

❖ **WARNING:** If this fireplace is not properly installed, a house fire can result. For your safety, follow the installation instructions and clearances. Do not pack required air space with insulation or other materials.

1. Note the location of roof and floor joists. Try to choose a location that does not require cutting them.
2. Do not build recessed shelves or cupboards in the enclosure above the fireplace. This must be kept as air space.
3. If at all possible, run the chimney up through the inside of the house. If it must be run outside, it should be enclosed in an insulated enclosure (see Installation: Chase Enclosure). Remember, a cold chimney causes poor draft.

FRAMING

Walls on all interior sides of the fireplace enclosure should be finished and flat. Insulation or other materials should not be placed in required clearance spaces around the fireplace. Because of the high heat output potential of the PEARL 3600, combustible materials must NOT go closer to the fireplace than the standoffs, top, back and sides.



CEILING CLEARANCE

Ceiling clearance is the distance from the bottom of the bottom standoffs (legs) of the fireplace to the ceiling. Under no circumstances should the distance between the ceiling firestop and the base fireplace be less than the dimension specified in Table 1 (C). The minimum ceiling clearance applies both to the room in which the fireplace is installed, and the enclosure in which it is framed.

SECURING THE FIREPLACE IN PLACE

Once the fireplace is in its final location, take the time to attach it to the floor. Using at least two of the five small brackets that were securing the fireplace to the crate, attach the casing of the fireplace to the floor. If possible, try to have at least one, if not two, of the brackets screwed into the floor joists with 2" wood screws.

TOP STANDOFF INSTALLATION

The Top Standoff provides clearance to combustible framing and includes a heat shield as part of its design. The Top Standoff **MUST** be installed to avoid fire and ensure a safe installation.

Screw the Top Standoff to the top of the unit in the location shown using the screws provided.

For shipping, the top standoff is flat. During installation, the back shield must be bent along the crease to a 45° angle. When placing 2x4 framing along the Top Standoff, ensure an air gap of at least ¼" from framing to the back shield. DO NOT fill the gap between the fireplace and the standoff with insulation or any other material; it will be covered with the finishing material.

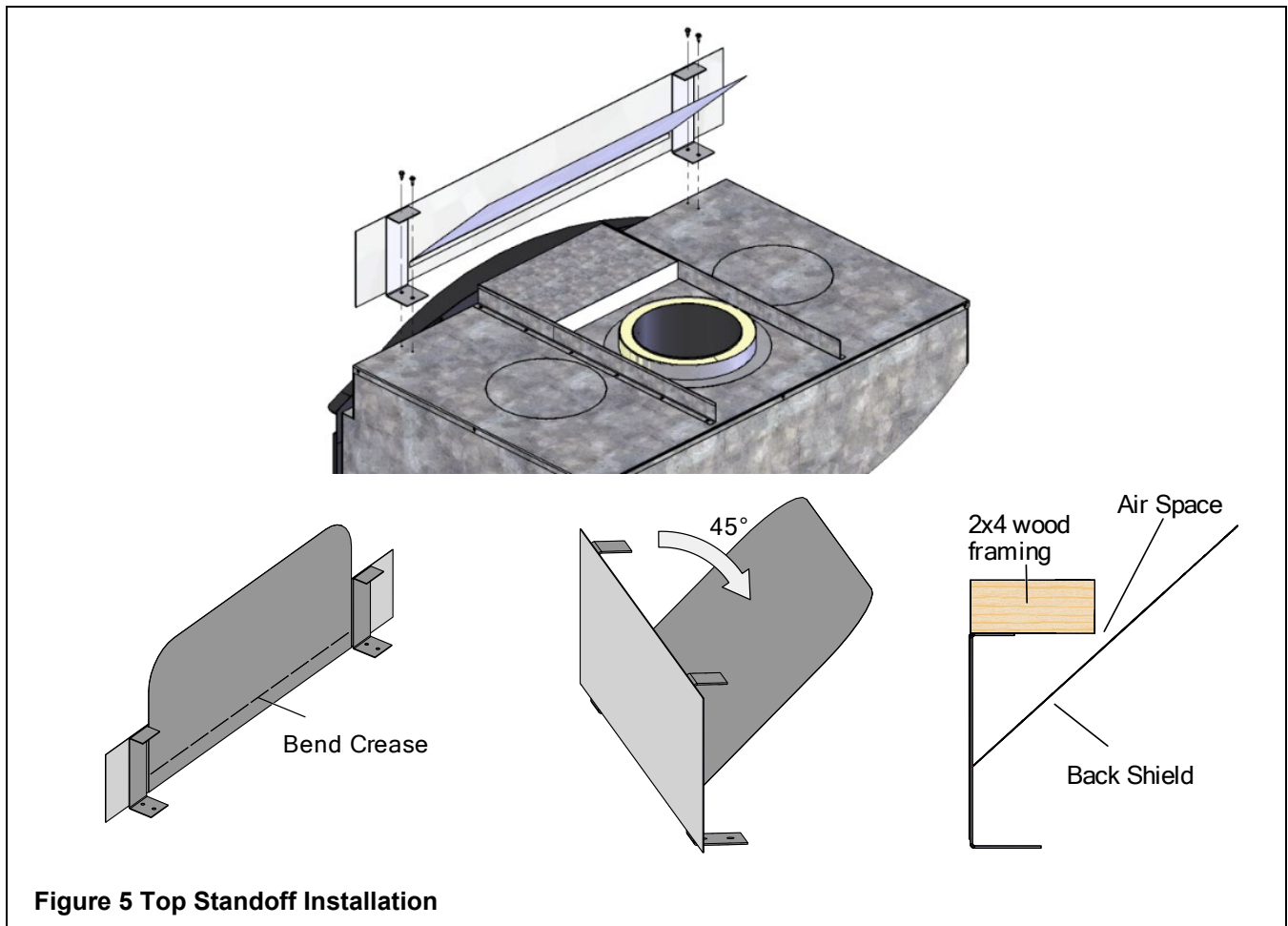


Figure 5 Top Standoff Installation

NOTHING CAN BE PLACED BELOW THE HEADER SUPPORTS OF THE TOP STANDOFF WHETHER COMBUSTIBLE OR NOT. THE SPACE MUST REMAIN EMPTY.

OUTSIDE AIR DUCT

The use of outside air is not required unless specified by local building codes or it is installed in a mobile home. The Pearl 3600 includes a rotating elbow that connects to the bottom of the unit and can exit in any direction.

Use an insulated aluminium flexible duct rated at over 200° F. The duct should not exceed 12' vertical rise above the base of the unit. We suggest using the 4" RSF outside air kit (FO-INT).

To avoid condensation, it is recommended to use an insulated duct long enough to include a «P-Trap» loop.

The air inlet should always be at least 5' lower than the chimney rain cap and must never terminate in attic spaces.

A 4" diameter duct can be used if the total duct run is less than 25'. For longer runs, use 5" diameter duct. For a 5" run, you will need to start at the fireplace in 4" just to get from under the base and then use an increaser from 4" to 5" to be able to continue in 5".

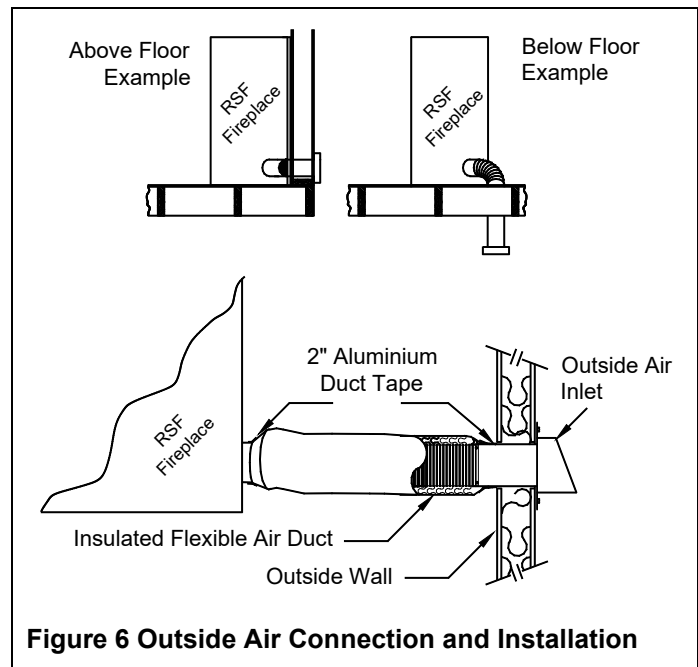


Figure 6 Outside Air Connection and Installation

1. Use a short Phillips screwdriver to remove the outside air cover located on the bottom of the fireplace, four screws hold it in place (see Figure 7).
2. Bend the central part of the cover back and forth to break away the two tabs and remove the central part.
3. Attach the 4" aluminium duct to the inlet of the outside air elbow with metal screws and aluminum tape.
4. If the insulated flexible duct has a plastic covering, remove this plastic cover over the flexible duct so that there is no plastic cover on the duct under the fireplace and for at least 3" away from the fireplace. The plastic cover **MUST NOT** get within 3" of the fireplace.
5. Tape the insulation to the aluminum ducting where the plastic cover was pulled back. Using aluminium tape to hold it in place.
6. If using 5" flexible duct for the rest of the duct run, cut the 4" insulated flexible duct long enough to clear the fireplace. Completely remove the plastic cover over the 4" duct. Pull back the insulation on the extremity of the 4" duct and attach it to the 4"-5" increaser with metal screws. Pull back the plastic cover and the insulation from one extremity of the 5" duct. Attach that extremity of the 5" aluminium duct to the 4"-5" increaser with metal screws. Replace the insulation and plastic over the 4" and 5" insulated flexible duct and tape it in place with aluminium duct tape. Remember, the plastic cover **MUST NOT** get within 3" of the fireplace.

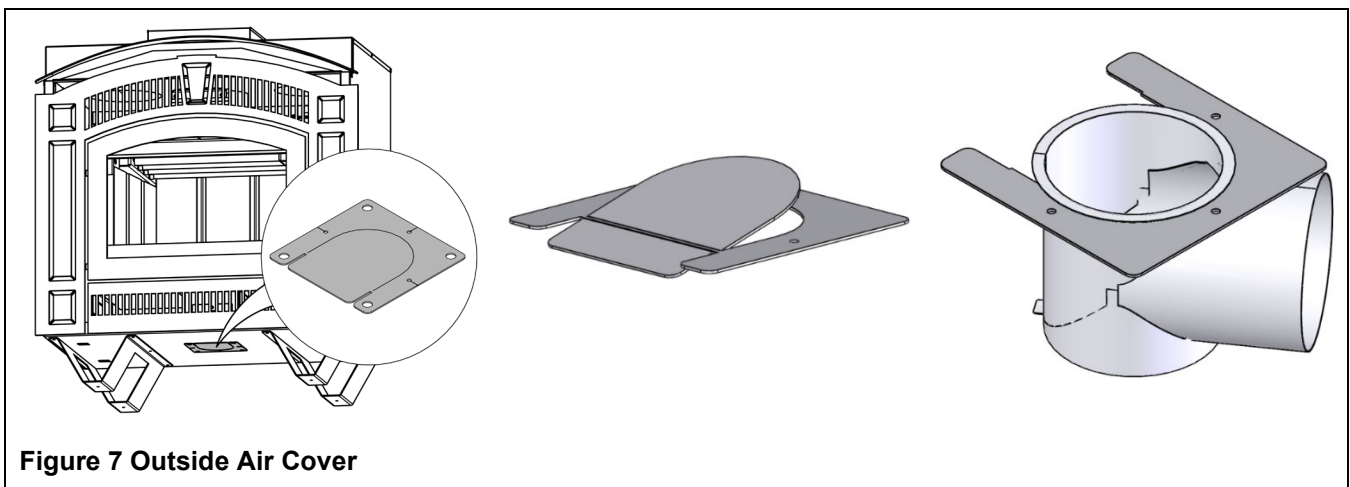


Figure 7 Outside Air Cover

7. Insert the outside air elbow into the support and install this assembly onto the fireplace, using at least two of the screws that were removed previously but do not tighten it yet.
8. Orient the outside air elbow in the direction you want the outside air duct to go and tighten the screws, then seal the connection with aluminum tape.
9. Make a 4 ¼" (5 ¼" if using a 5" diameter duct) hole in the outside wall of the house. Push the outside air inlet in from the outside. Seal the joint between the air inlet and the outside wall with an appropriate sealant.
10. Place the insulated flexible duct over the round sleeve on the outside air inlet. Carefully pull back the insulation and plastic cover, exposing the flexible duct. Attach the duct with metal screws to the air inlet. Replace the insulation and cover back over the duct. Tape the plastic cover in place with aluminium duct tape.

❖ **CAUTION: WHEN RUNNING THE DUCT AROUND CORNERS, BE SURE TO PREVENT CRIMPING THE DUCT IN A WAY THAT WOULD RESTRICT THE COMBUSTION AIRFLOW.**

FINISHING AROUND THE FIREPLACE

The decorative faceplate of the PEARL 3600 fireplace is not meant to be covered, it is meant to be admired. **DO NOT** cover the decorative faceplate of the fireplace or any of its louvers.

The decorative faceplate of the PEARL 3600 extends ½" beyond the sides of the fireplace to be able to hide the edge of the finishing material behind it. The decorative faceplate sits 1" proud of the top of the fireplace casing to allow thin finishing materials to slip behind the rounded top of the decorative faceplate.

Before you begin, remove the decorative faceplate and bottom louver to prevent damaging them while installing the finishing materials. To remove the faceplate, use a 5/32 Allen key and remove the two screws located on either side of the faceplate's keystone centerpiece (see Figure 8) Once the bolts are removed, the faceplate will be loose, so with one hand holding the faceplate in place, close the door. Take a good grip on both side of the faceplate and lift it up. There are two brackets, one on each lower side, that need to be disengaged from the base of the fireplace. Do not lose the hardware that secures the faceplate to the fireplace.

To remove the bottom louver, simply open the door, grab the top of the louver close to each extremity and pull forward. There are two high temperature magnets, one on each side, close to the top of the louver keeping it in place along with two supports close to the bottom of the louver to support the weight of the louver.

If desired, you can also remove the glass door by lifting it off its hinges

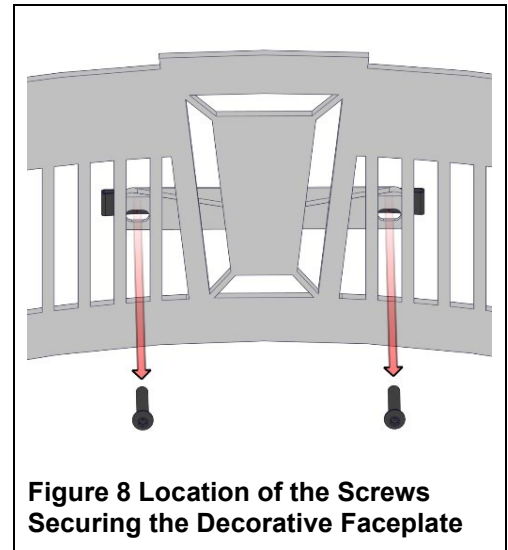


Figure 8 Location of the Screws Securing the Decorative Faceplate

Facing Requirements

Finishing materials that cover the facing of the fireplace **MUST BE NON-COMBUSTIBLE** (e.g. brick, slate, ceramic tile, etc.). Drywall cannot get closer to the fireplace than the side and top standoffs. The front face of the top standoff is considered part of the fireplace facing. The minimum size of a non-combustible facing is shown in Figure 9.

The non-combustible finishing materials may be installed so that they fit behind the decorative faceplate. Plan the finishing of the fireplace in advance and plan for the material thickness including the adhesive coat. If you are using a thin material (such as tile) and plan to install your finishing behind the decorative faceplate, you **MUST** be able to reinstall the decorative facing properly or it may become a safety hazard.

◆ **NOTE:** There is only 1" between the decorative faceplate and the fireplace body. For example, this is sufficient for a ½" cement board, a ⅛" adhesive coat, and a ⅜" tile.

You can also finish your PEARL 3600 with materials that will result in a combined thickness greater than 1" (e.g. brick, stone, etc.). These materials will not fit behind the decorative faceplate and will protrude past the faceplate once installed. **If you are using thick finishing materials, then the decorative faceplate of the PEARL 3600 can be used as a template.**

❖ **WARNING** Gypsum boards or any other combustible material cannot touch the casing of the fireplace. Only non-combustible material such as cement board can touch the fireplace casing.

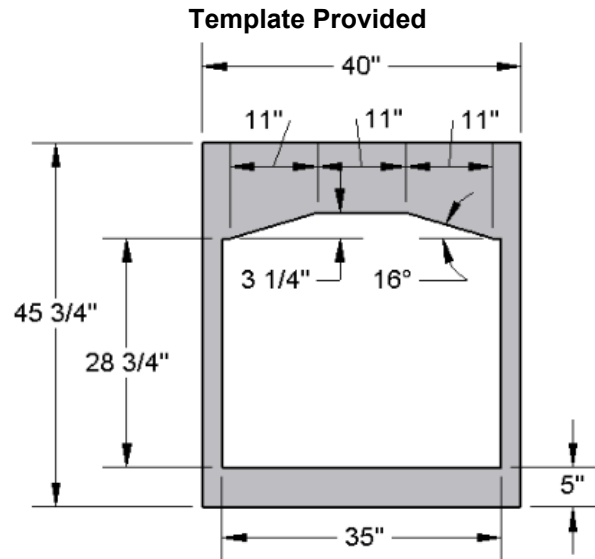
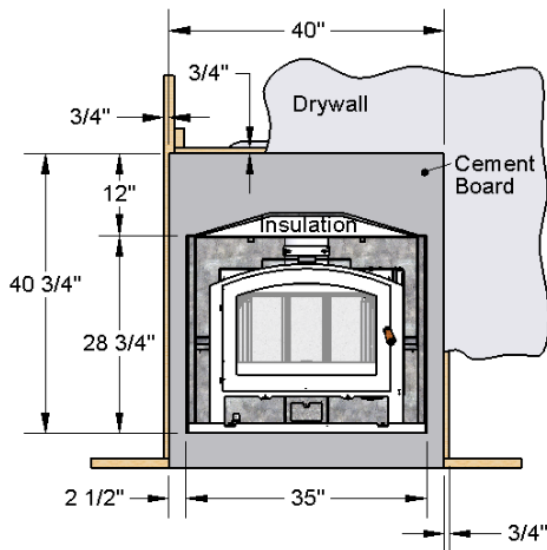
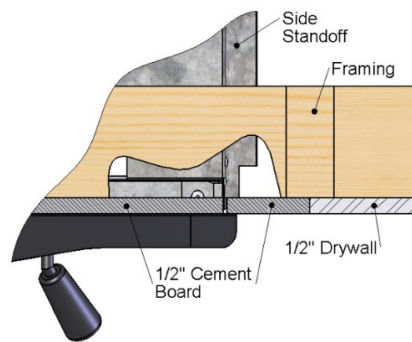


Figure 9 Minimum Requirements for Non-combustible Facing

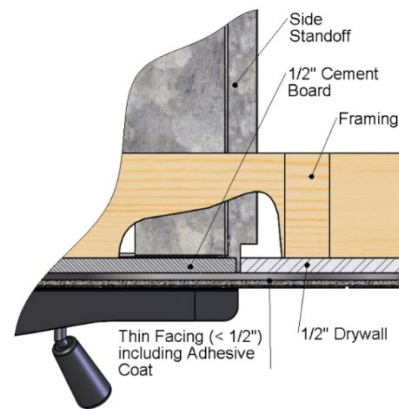
Material Thickness

The PEARL 3600 can be finished in multiple ways

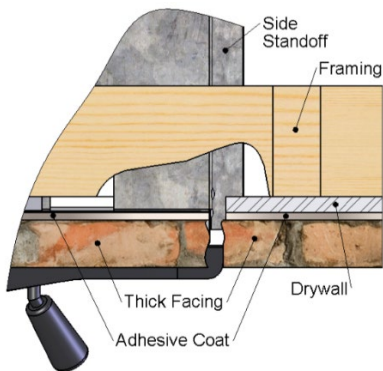
1. Simply surrounding it with cement board and painting it to provide a flat facing look.
2. Thin facing materials such as ceramic tiles that are less than 1" thick, including the adhesive coat.
3. Thicker materials that will result in a combined thickness greater than 1" (e.g. brick, stone, etc.)



Flat Facing: requires cement board due to the direct contact to the fireplace casing



Thin Facing (< 1", including the drywall)



Thick Facing ($\geq 1"$)

Note: Framing shown is based on the recommended framing in Figure 4.

Figure 10 Framing Alignment Examples – Top Views

MANTEL

Masonry and other non-combustible mantels (shelf and posts) can be placed anywhere around the fireplace facing. If the non-combustible mantel is located between the top of the fireplace facing and the specified height for a combustible mantel, then the wall portion between the top of the fireplace facing and the mantel must be covered in non-combustible material. If the non-combustible mantel is located at the same height allowed for a combustible mantel, or higher, then no special wall covering is required below the mantel.

If the combustible mantel shelf has a cross-section with variable depth, it has to be installed so that its widest part is not installed lower than the corresponding minimum installation height while making sure that the lowest point of the mantel is not installed lower the minimum installation height corresponding to its depth (Table 2). Mantel depth is always measured from the face of the fireplace (see Figure 11). This is regardless of the depth of materials used for finishing the facing.

Vertical mantel posts are permitted on either the side of the fireplace facing. If they made from combustible materials, the mantel posts require the clearances specified in Table 3.

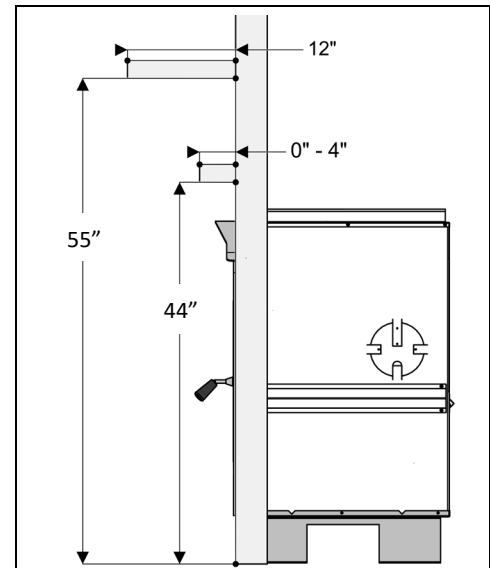


Figure 11 Mantel Requirements

Table 2 Various Mantel Shelf Depths and Corresponding Installation Heights

Maximum Mantel Shelf Depth	Minimum Installation Height from Top of door opening	Minimum Installation Height from Bottom of Unit
0" to 4"	17"	44"
5"	18 ½"	45 ½"
6"	20"	47"
7"	21 ½"	48 ½"
8"	22 ¾"	49 ¾"
9"	24 ¼"	51 ¼"
10"	25 ¾"	52 ¾"
11"	27"	54"
12"	28"	55"

Table 3 Mantel Post Clearance

Mantel Post depth in front of the facing of the fireplace	Minimum distance from the side of the fireplace opening.
0" to 3"	9"
3" – 7.5"	10"
7.5-12"	11"

CHIMNEY

This fireplace is certified for use with 6" ICC Model EXCEL chimney only. Please refer to Table 1 (D-E) for the minimum and maximum chimney heights permitted with the PEARL 3600 fireplace.

We recommend that the minimum height be increased by approximately 6" for every 1000' elevation above sea level. Every 15°, 30° or 45° offset (one pair of elbows) also increases the minimum height. See Table 4 for more precise recommended flue heights.

For example, if you are living 6015' above sea level, your chimney should terminate at least 15' from the top of the fireplace if it is a straight chimney or at least 18'6" if one 30° offset is used as shown in Table 4.

Table 4 Minimum Recommended Flue Heights

Elevation (ft)	Number of Offset						
	Straight Chimney	1 x 15°	2 x 15°	1 x 30°	2 x 30°	1 x 45°	2 x 45°
0 - 1000	Minimum 12'	13'	14'	15'	18'	16'	20'
1001 - 2000	12'6"	13'6"	14'6"	15'6"	19'	16'6"	20'
2001 - 3000	13'	14'	15'	16'	19'6"	17'	21'6"
3001 - 4000	13'6"	14'6"	15'6"	17'	20'	18'	22'6"
4001 - 5000	14'	15'	16'	17'6"	21'	18'6"	23'
5001 - 6000	14'6"	15'6"	17'	18'	21'6"	19'	24'
6001 - 7000	15'	16'	17'6"	18'6"	22'	20'	24'6"
7001 - 8000	15'6"	16'6"	18'	19'	23'	20'6"	25'6"
8001 - 9000	16'	17'	18'6"	20'	24'	21'	26'6"
9001 - 10000	16'6"	17'6"	19'	20'6"	24'6"	22'	27'

Flue height is measured from the top of the fireplace to the top of the chimney before installing the rain cap.

If you have two different offsets (two pairs of different elbows), simply use the column for two offsets of the biggest pair of elbows at your elevation to get your Minimum Flue Height.

CHIMNEY INSTALLATION

Make sure to read the EXCEL Chimney installation manual concerning requirements for supports, bracing, anchors, etc. Refer to Table 1 (F) for the maximum chimney height that can be supported by the top of the fireplace.

❖ **WARNING:** The clearance between the chimney and combustible material must be 2" or more. Do not fill this area with insulation.

1. Cut and frame the required holes in the floor(s), ceiling(s) and roof where the chimney will pass through. The rough opening in the framing is 12" square (the opening can be slightly bigger, but NEVER smaller).
2. From below, install a radiation shield in each floor through which the chimney passes. At the attic level, install a radiation shield and a storm collar as shown in Figure 12.

❖ **WARNING:** A radiation shield must be installed at each floor where the chimney passes through.

3. Place the first length of chimney on the fireplace. Secure the chimney length to the fireplace with the three screws provided. Assemble the rest of the chimney.

The chimney must extend at least 3' above its point of contact with the roof and at least 2' higher than any wall, roof, or building within 10' of it. If the chimney is higher than 5' above the roof, it must be secured using a roof brace.

4. **At the roof, install a roof radiation shield (XM-6ERRS). The roof radiation shield must be installed so it extends 3" above the roof line.**
5. Put the roof flashing into place.
 - **If the chimney is enclosed to the roof: use a vented flashing .**
 - **If the chimney is not enclosed to the roof: use a regular flashing.**

❖ **WARNING:** Do not block any of the openings in the vented flashing with sealant, caulking or any other materials.

6. Place the storm collar over the chimney and flashing. Place a bead of exterior sealant around the chimney below the storm collar, pull the storm collar through the sealant and seal it once again on the top with the exterior sealant (**DO NOT use roofing tar**).
7. Fit the rain cap on the chimney. Secure it tightly in place.

OFFSET CHIMNEY

An elbow may be installed directly on top of the fireplace if required. See the detailed offset charts in the EXCEL chimney installation manual. Use the offset option if you need to clear a joist or pass around a cupboard. See Figure 13 and Figure 14 for examples.

- Maximum offset angle:
 - In **USA**: 30°;
 - In **Canada**: 45°.
- Maximum number of elbows: four, resulting in two offsets and returns.

Install the fireplace and chimney as described earlier. When you require an elbow, proceed as follows:

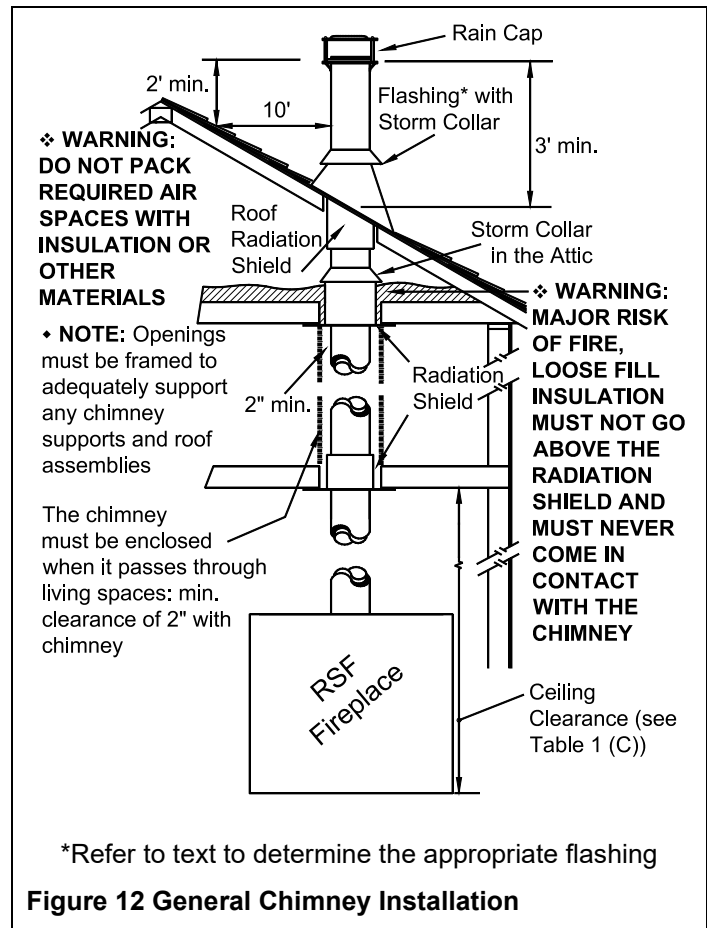
1. Install the required elbow. Turn it in the desired direction, and fasten it to the chimney length with the three metal screws provided at the joints.
2. Install enough lengths to obtain the desired offset. Secure each joint with three metal screws. Refer to the offset charts provided with the EXCEL chimney installation manual for exact offset dimensions.

If the chimney goes through an outside wall as shown in Figure 14 and is enclosed on the other side of the wall, then the outside plate of the angled wall radiation shield **MUST NOT** be installed.

3. Use another elbow to return the chimney to the vertical direction.
4. Install a roof support, a wall support, or an offset support above each offset to support the weight of the chimney (elbows are not designed to support the chimney above an offset).

Through the Wall Offset

You can also go through the wall at an angle starting directly at the fireplace as depicted in Figure 14. An angled wall insulated radiation shield (XM-6EWRSI30 or XM-6EWRSI45) must be used wherever the chimney passes through a combustible exterior wall. Make sure you have enough ceiling height. If not, you might want to consider installing the fireplace in an outside chase.



If the chimney is enclosed once outside of the house, do not install the outside plate of the angled wall insulated radiation shield.

Refer to the angled wall insulated radiation shield installation sheets for more detailed installations instructions.

When the chimney passes through a non-combustible exterior wall (e.g. concrete), the angled wall radiation shield is not required. An opening slightly larger than the chimney can be created through the non-combustible wall. Any gaps between the chimney and wall can be filled with rock wool insulation and then sealed with silicone.

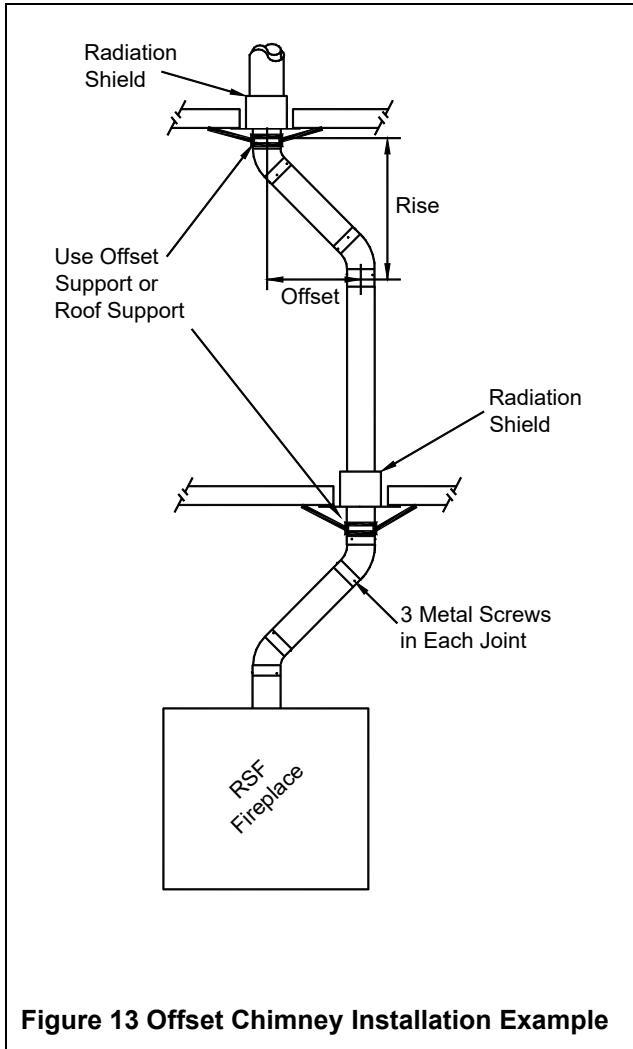
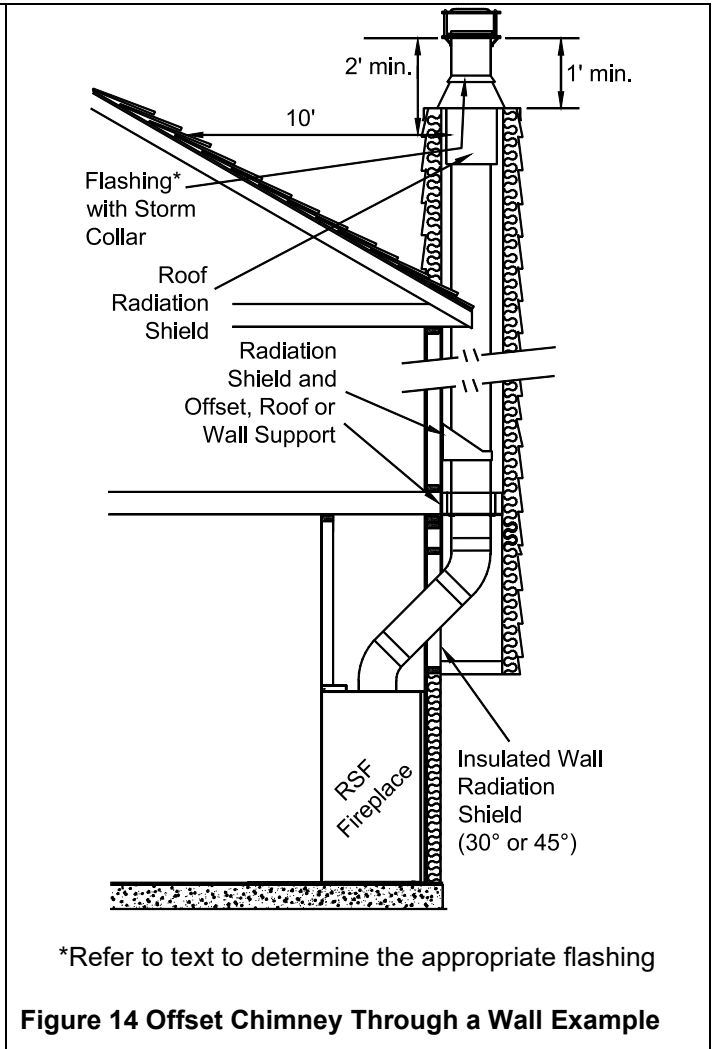


Figure 13 Offset Chimney Installation Example



*Refer to text to determine the appropriate flashing

Figure 14 Offset Chimney Through a Wall Example

CHASE ENCLOSURE

If the chimney runs up the outside of the house, we recommend that it be enclosed in a chase structure. The chase should be constructed in such a way that it is an extension of the home (see Figure 15). It should be well insulated between the footings and the floor of the home to prevent heat loss. If the climate in your area is mild, insulate the chase at least to the first firestop. If the climate in your area is very cold, insulate the chase to the top to keep the chimney warmer, increase the draft, and reduce creosote buildup. We also recommend insulating the ceiling of the chase just as if it were in the attic space. This will prevent cold air from dropping down through the chase and into the room where the fireplace is installed (see Figure 15).

Some local codes require that the walls be insulated, vapor sealed and sheathed with a fire rated gypsum board (see Figure 15). We strongly recommend this procedure for all installations to prevent cold drafts from originating in the fireplace enclosure. If you follow this procedure, we recommend that you do not insulate the wall above the front of the fireplace.

- ◆ **REMEMBER:** Check local codes concerning installation requirements and restrictions in your area.

MASONRY CHIMNEY

Installing your PEARL 3600 fireplace with a masonry chimney still requires using EXCEL chimney from the top of the fireplace to where it will connect to a listed liner that will run up inside the masonry chimney (see Figure 16).

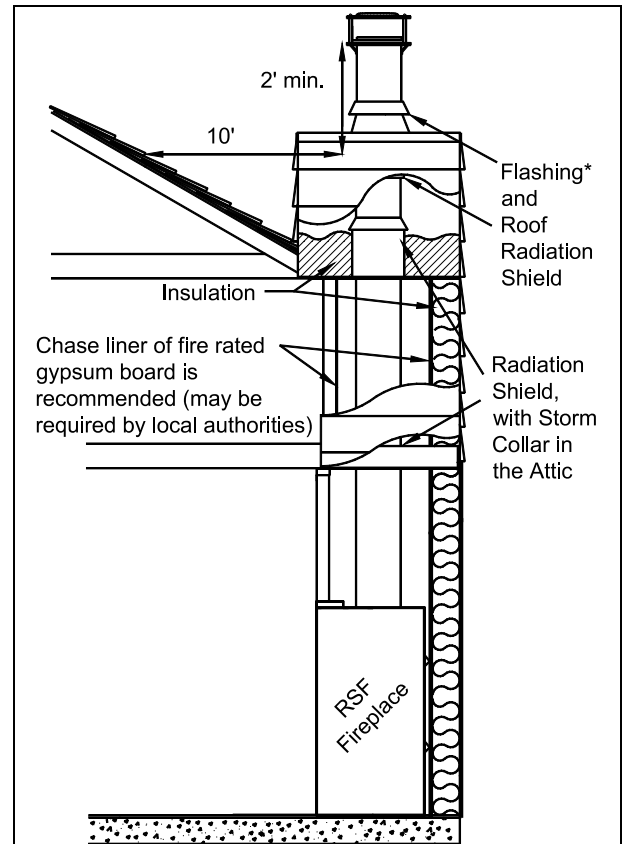
The stainless-steel liner should be fitted inside the clay liner all the way to the top of the masonry chimney. It is not meant to replace the clay liner. You can use either the EXCEL liner or any other listed liner to ULC-S635, ULC-S640 or UL-1777.

Special care is to be taken to make sure that you have a good solid connection between the EXCEL chimney and the liner. A masonry adaptor (FO-FDM6) was designed specifically for that purpose and is available from your RSF dealer. It will attach to the liner with 3 stainless steel rivets (provided) and to the EXCEL chimney with 3 screws (provided).

After mortaring in place, the connection between the EXCEL chimney and the liner should not be visible in order to isolate the heat released through the liner from the fireplace enclosure.

As depicted in Figure 16, you must install at least one 18" length of EXCEL chimney after the EXCEL chimney elbow. The uppermost part of the EXCEL chimney - where it enters the masonry chimney - must be a minimum of 12" from the ceiling.

- ◆ **NOTE:** If the ceiling is high enough, you can install one or more EXCEL chimney lengths directly on the fireplace before the elbow.



*Refer to text to determine the appropriate flashing

Figure 15 Chimney Installed with a Chase Enclosure Example

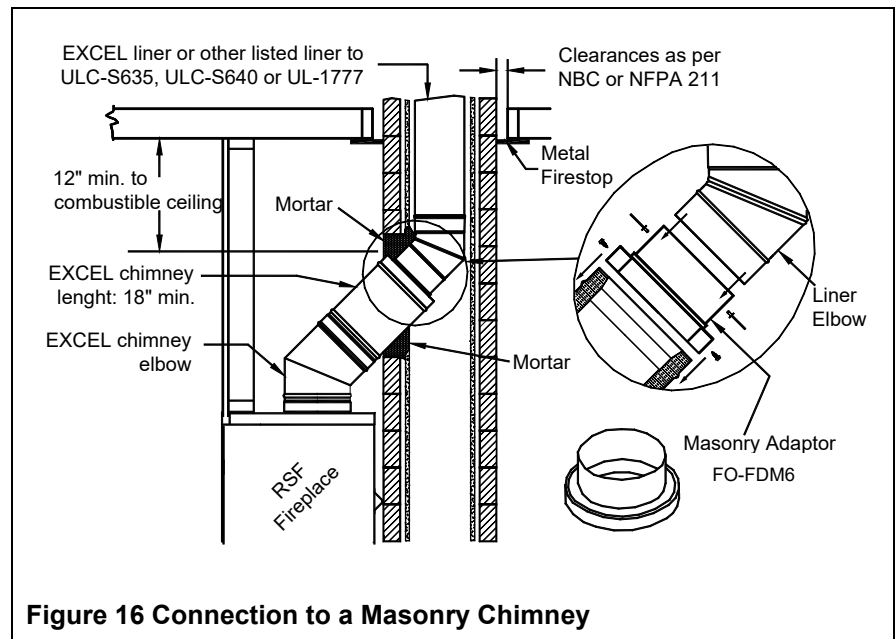


Figure 16 Connection to a Masonry Chimney

If you use a flexible liner, make sure to be careful when cleaning to ensure that the stainless-steel flexible liner is not dislodged in any way.

Using an Existing Masonry Chimney

❖ **WARNING:** If you are considering using an existing chimney, it must first be thoroughly inspected by an authority having jurisdiction to determine the following:

1. The masonry chimney is well constructed and fully lined, in accordance with Local Building Codes and the National Building Code of Canada (NBC) or National Fire Protection Association chimney standard (NFPA 211).
2. It has been thoroughly cleaned of any soot or creosote residue and inspected to determine that it is in good working condition.
3. There is no insulation of any type in contact with the masonry chimney and there is no insulation stuffed anywhere in the chimney.
4. All the necessary clearances around the masonry chimney, along the complete run of the chimney, are respected as per NBC or NFPA 211. If the masonry chimney is enclosed in drywall, openings will probably be required in order to verify clearances at all points.
5. The masonry chimney will only be used for the fireplace and no other appliance.

If major repairs are required to meet the above conditions, a new chimney should be constructed.

To make the hole through the masonry chimney and make the connection to the fireplace, we recommend that you follow these steps:

1. Sight-in and mark the outline of where the EXCEL chimney will penetrate the masonry chimney.
2. Using a large ($\frac{3}{4}$ " - 2") masonry drill bit, drill a hole exactly in the center of the oval outline. With a masonry hammer and drill, slowly enlarge the hole to the size required. Remember to work from the center out. Be especially careful with the clay liner behind the brick because three sides of it must stay in place.
3. Bring the stainless-steel liner down from the top of the chimney.

If you are using a rigid liner you will need enough room to secure an elbow to it with at least two screws.

If it is difficult to install rigid stainless steel liner in the existing masonry chimney or for a masonry chimney with less than 8"x8" inside, a listed stainless steel flexible liner can be used along with a flexible/rigid adaptor (LM-6LAF) available from your RSF dealer.

4. Install the liner elbow and masonry adaptor on the lower end of the liner.
5. Move the fireplace forward enough to install the EXCEL chimney on the fireplace (elbow and length) then move the fireplace back into position as you connect the masonry adaptor to the EXCEL chimney.

Using a New Masonry chimney

Since the masonry chimney is not build yet, we recommend that you position your fireplace, install the EXCEL chimney on it and connect to the first length of liner before building the chimney as explained above and shown in Figure 16. The liner sections can easily be installed as the layers of brick are being placed. Since this is a new chimney, we recommend that you build it to the right size, so you do not have to ovalize the liner.

♦ **Remember:** The stainless-steel liner should be fitted inside the clay liner all the way to the top of the masonry chimney. It is not meant to replace the clay liner.

HEARTH EXTENSION

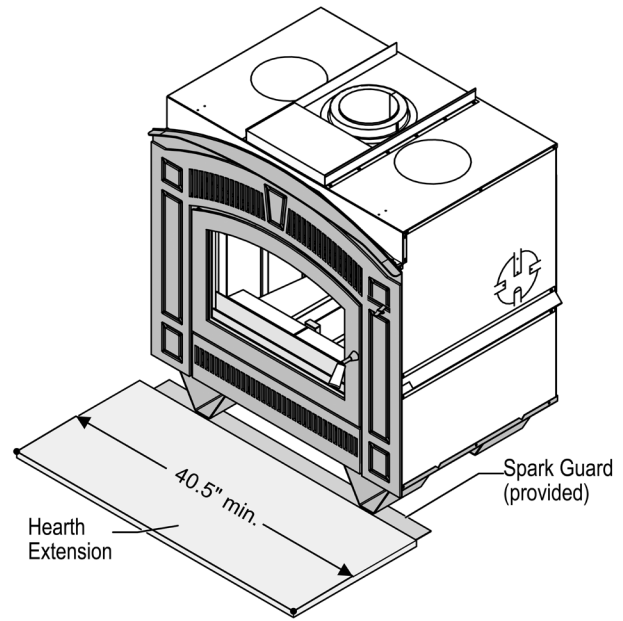
The area immediately in front of the fireplace must be protected by a non-combustible material such as brick, tile, stone, or slate. Refer to Table 1 (G-H) for the depth and width that the hearth protection should extend beyond the front and both sides of the door opening (see Figure 1). There is no minimum thickness required for the hearth extension.

BENEATH THE HEARTH EXTENSION

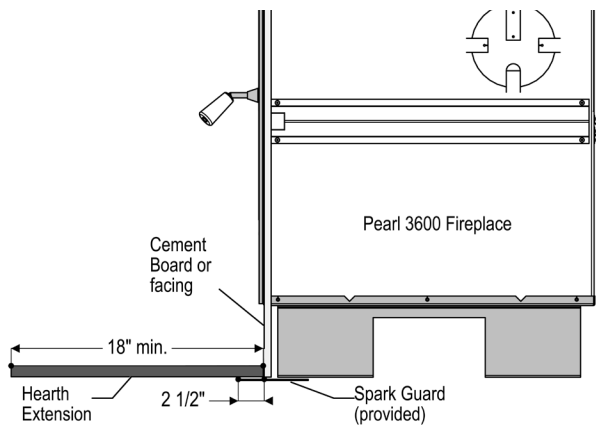
If the PEARL 3600 is installed on a non-combustible floor, the cement board and the spark guard specified below are not required.

Install the spark guard provided (5" x 36" piece of sheet metal) halfway under the fireplace and halfway under the hearth extension and centered on the door opening. The spark guard will extend 2½" beneath the fireplace. This will make certain that sparks cannot lodge in this area and start a fire. If necessary, the provided spark guard can be cut to the minimum width specified in Table 1 (I).

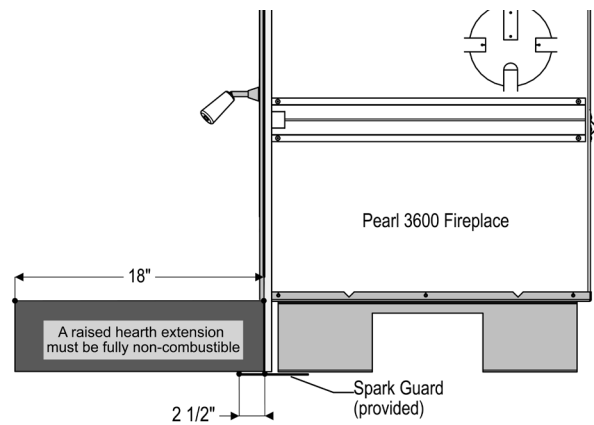
If you are preparing a raised installation, you will need a custom made spark guard, either a "Z" shaped spark guard or a right angle spark guard. The Z-shaped spark guard must be used if the height between the bottom of the fireplace and the top of the non-combustible flooring of the hearth extension is less than or equal to 2 ½". The height of the Z-shaped spark guard must equal the distance between the floor and the base of the unit and go under the hearth extension and the fireplace by at least 2½". If the unit is installed higher than 2 ½" from the top of the flooring, a right-angle spark guard is necessary. The sides of the right-angle spark guard should be at least 2½" x 2½" and must be covered with non-combustible material. Any custom made spark guard must have the minimum width specified in Table 1(I), and be installed centered on the door opening.



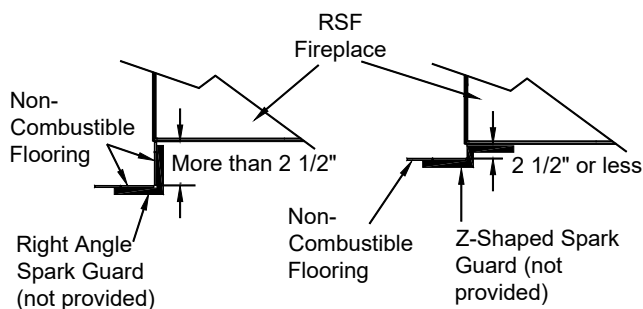
Flush Hearth



Raised Hearth



Custom Spark Guard



◆ **NOTE:** Custom-made spark guards are site built.

Raised Unit

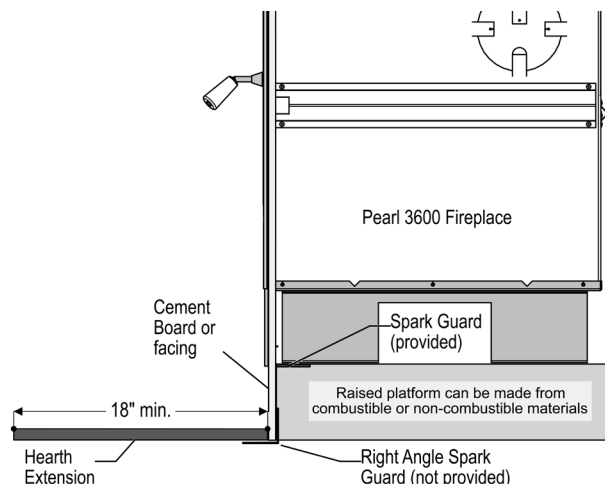


Figure 17 Hearth Requirements

MOBILE HOME REQUIREMENTS

These requirements apply to installations in manufactured homes, mobile homes, and transportable buildings. The term “mobile home” is used in the following text interchangeably for all setups.

❖ **WARNING:** Do not install this fireplace in the bedroom or sleeping room of a mobile home.

An outside air kit is required for mobile home installations. This will avoid the possible effects of room air starvation, icing, exhaust fans, etc. The optional kit FO-INT is recommended. See Outside Air Duct section for details.

A spark screen is required on the chimney cap. The optional ERCS spark screen must be installed in mobile home installations.

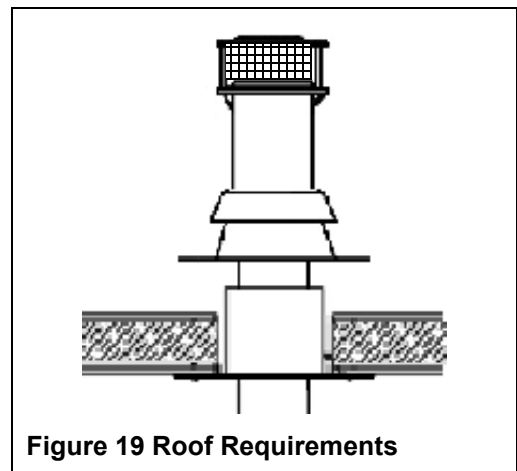
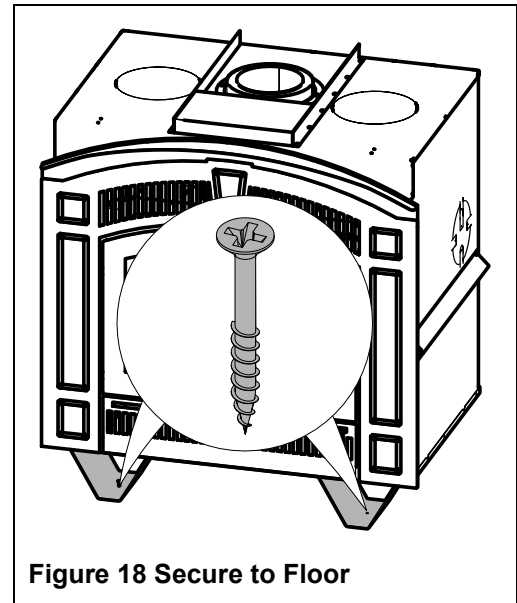
The fireplace must be secured to the floor. Using two #8 wood screws that are at least 1 ½” long, screw through the holes in the bottom standoffs, directly into the floor to secure it (see Figure 18).

❖ **WARNING:** The structural integrity of the mobile home floor, walls, and ceiling/roof must be maintained.

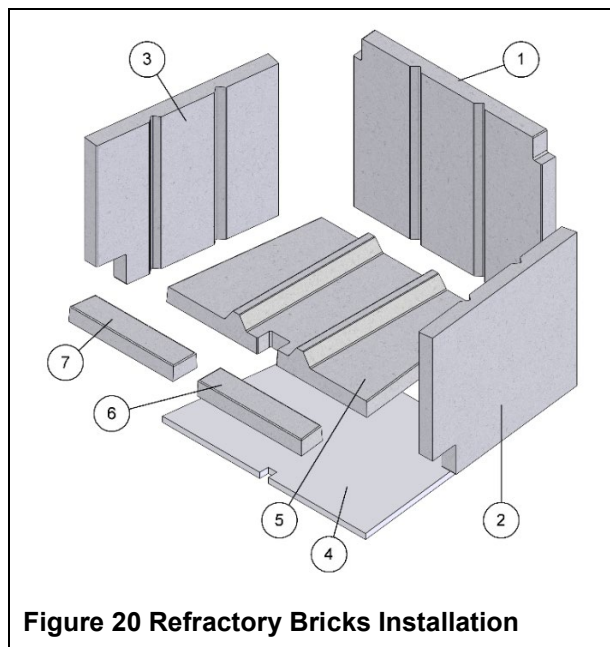
If the chimney exits the mobile home through the wall at a point 7 feet (2.1m) or less above the ground level on which the mobile home is positioned, the chimney must be enclosed within a chase enclosure. See the section Chase Enclosure, and Figure 14 for details.

To maintain building integrity, a radiation shield is required at the ceiling/roof. It must extend completely through the ceiling/roof cavity to the outermost plane of the roof. If necessary, it can be trimmed flush with the plane of the roof to ease installation of the flashing (see Figure 19).

❖ **WARNING:** In some circumstances, using only the 8’ minimum of chimney may result in dirtier glass than using 12’ of chimney.



REFRACTORY BRICK INSTALLATION



Before lighting your first fire, you must make sure the refractory bricks are properly installed inside the firebox. To remove any of the refractory bricks, just follow the installation procedure in the reverse sequence. Refer to Figure 20 to identify which refractory brick is the left and which is the right at each step of the installation.

1. Start by placing the rear refractory brick in the firebox (1), then the right and left side (2, 3) refractory bricks.
2. Continue by installing the soft insulation (4) on the bottom of the firebox. It fits tight between the front and the back refractory brick and between both side refractory bricks.
3. Then install the bottom refractory brick (5).
4. Finally, install the two front refractory bricks (6, 7).

These refractory bricks have been designed specifically for the PEARL 3600 and no modifications are required to ensure a proper fit.

OPERATION

AIR CONTROLS

The PEARL 3600 has two separate air controls. The Combustion Air Control regulates the rate of burn, and the Outside Air control determines where combustion air is drawn from (outside or inside the home).

Combustion Air Control

Unlike most open fireplaces, RSF fireplaces don't have flue dampers. Instead, the system is sealed by closing the door, and the amount of air entering the firebox is controlled by the combustion air control lever (see Figure 21). Setting the air control lever all the way open (towards the right) will allow the maximum amount of air into the firebox. Closing the air control (towards the left) will reduce the amount of air entering the firebox.

Controlling your fire

To get maximum efficiency out of your fireplace you will want to adjust the amount of air entering the firebox at the appropriate times. Gauge how much to close the combustion air by how the fire reacts once the combustion air control lever has been moved. If the fire goes out and begins to smolder, there's too little combustion air entering the firebox. If this happens, reopen the combustion air control and wait a little longer before attempting to restrict the air again. If there's no change to the burn pattern, you can continue to close the combustion air further. Always close the combustion air control gradually, never from maximum to minimum in an instant. Eventually you should be able to close the combustion air all or most of the way. There should always be visible fire inside the firebox at every step of the process. It is normal for some installations that the air control cannot be fully closed and maintain a fire. Every home, installation, and draft is unique. Ensure there is visible flame to keep the glass and chimney clean.

If adjusting your air control has no effect on the rate of burn, there is air leaking into the firebox. It is likely occurring at the door, and the rope gasket may need to be replaced. If this happens cease use of the fireplace until the air leak has been found and resolved. You can order a new door gasket from your retailer with the part code FO-GRK9.

Outside Air Control

The PEARL 3600 is designed to use outside air for combustion. A shutter located behind the bottom louver will open or close the flow of air from outside into the fireplace.

If the fireplace is connected to outside air, the Outside Air Control should be set in the Open position when it is in use.

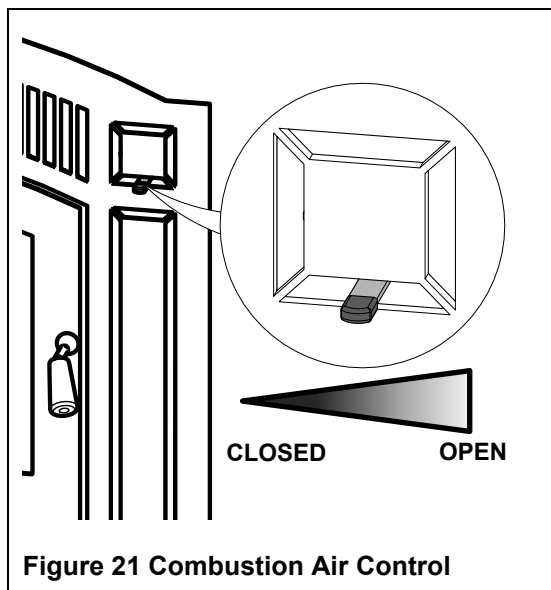


Figure 21 Combustion Air Control

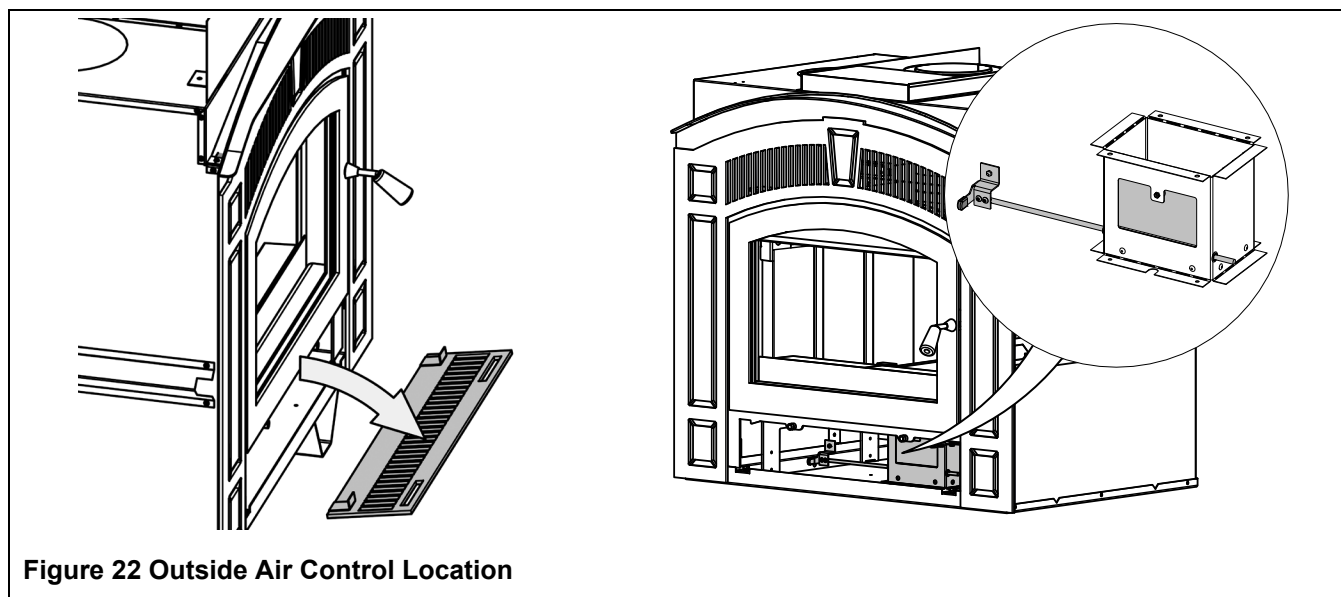


Figure 22 Outside Air Control Location

If the fireplace is not connected to outside air, or it is not in use for an extended period (summertime) then it should be in the Closed position.

To access the outside air control lever, first remove the bottom louver by pulling on it.

Rotating the outside air control lever so that it faces forward will open the outside air damper and allow fresh air into fireplace. Because outside air is generally colder and denser it will help to start the fire. In some cases, fresh air will help compensate for negative pressure problems within the house; however, it will not prevent the fireplace from smoking in severely depressurized homes or inadequate draft situations.

It is recommended to use outside air for combustion, but you may choose to use room air for combustion instead. To do so, turn the outside air control lever so it is pointing upwards to close the outside air damper. This control should be closed to outside air when the fireplace isn't burning to prevent cold air infiltration.

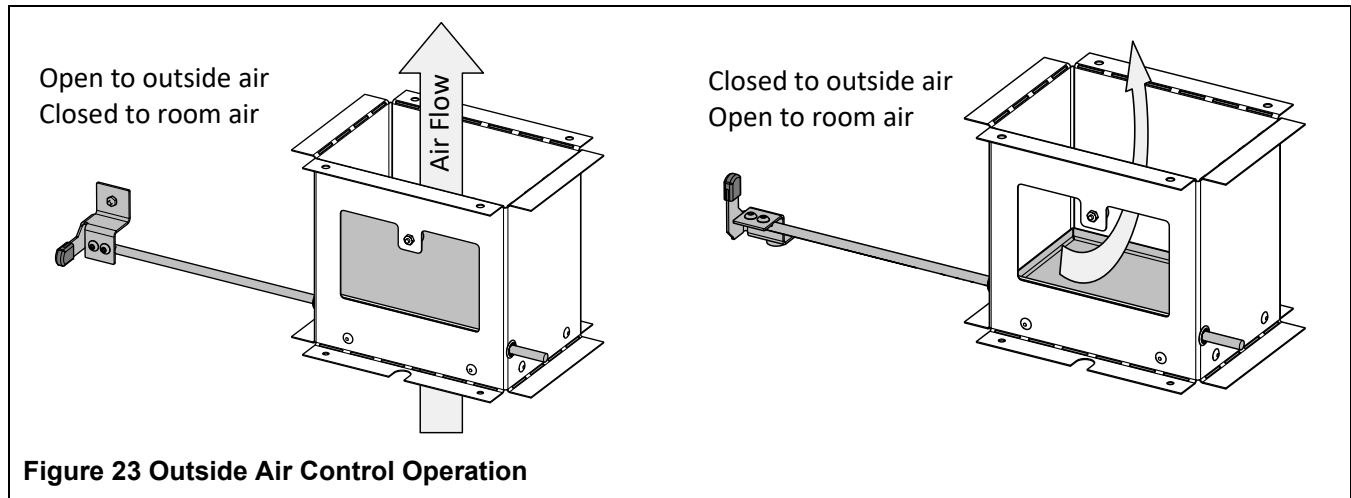


Figure 23 Outside Air Control Operation

LIGHTING

Ensure that the combustion air control lever is all the way in the open position. You will want as much air as possible for the lighting process.

We recommend that you prepare your fire in a top-down fashion. This will make for a faster start and a cleaner burn while starting. . Build your fire behind the front bricks to avoid spillage during reloading.

Start by laying 2-3 layers of small wood pieces (about 10 pieces of 1" to 2" in diameter). Criss-cross the pieces so there is plenty of air circulation in between. Then continue by criss-crossing your kindling (about 20 pieces the size of your fingers) on top of the small wood. You can then add a few pieces of paper on top. **Never use any flammable liquid.** Light the fire at the top of the pile and close the door most of the way, but do not shut it completely. If the door is positioned correctly you will see air rushing into the fireplace, this will help the lighting process. Wait about 2 minutes and then close the door completely. The fire should continue to burn. If it looks like it wants to smolder, crack the door open for another minute or two before closing it again. The amount of time to keep the door slightly ajar at startup is dependant on the height of your chimney and the outside temperature: the higher and the colder, the longer the door needs to remains cracked.

Once most of the startup fuel is down to a nice coal bed, rake the hot coals towards the front and add cordwood according to you needs, up to 6 logs at a time. Air enters the firebox at the front, and raking coals forward will help your cordwood to light. The bottom layer of logs should be oriented front to back (i.e. North/South). The second layer should then be oriented left to right. Always put at least 2 layers of logs criss-crossed together, this will help them to light to burn cleanly. Again keep the door cracked for a couple of minutes while the bottom logs catch on fire, then you can close the door completely.

Keep the combustion air control on maximum until the next reload. This will help establish a strong draft in the chimney before you reduce the combustion air, ensuring a cleaner burn at the same time.

❖ **WARNING:** Do not use a grate or elevate the fire.

❖ **WARNING:** Make sure to keep the fire behind the front step. Replace the logs if they fall against the glass.

FUEL

All modern high efficiency fireplaces and woodstoves are designed to burn best with seasoned cordwood. Seasoned wood can be defined as wood that has been cut, split and let dry under cover for a minimum of 6 months, preferably a year or more. Dry seasoned wood generally contains less than 20% moisture content. Attempting to burn fuel with a high moisture content will be difficult and result in lower efficiency, increased creosote buildup and dark deposits on the glass. It's possible to burn a very large amount of wood and get very little heat if the wood is wet.

The type of wood you select is also important. All types of wood give off more or less the same number of BTU's per pound. Since softer woods are less dense than hardwoods it is possible to put more weight of hardwood in the firebox; in other words, all woodburning appliances will burn longer and more evenly with hardwoods. Never burn scrap, garbage, treated wood or driftwood as they produce much more pollution and can corrode the firebox and chimney as well. Burning large amounts of paper, cardboard, mill ends, or construction waste can easily over fire and damage the fireplace or even ignite a chimney fire if the flue is dirty.

We do not recommend using wax fuel logs (e.g. Duraflame) in this fireplace because it will dirty the glass. If you choose to use them, do not use more than one at a time and do not poke or stir while it is burning. Use only firelogs that have been evaluated for fireplace use. In Canada, they must meet the requirements of ANSI/CAN/UL/ULC 2115, Processed Solid Fuel Firelogs and Firestarters. Refer to the firelog warnings and caution markings on packaging prior to use.

❖ **WARNING:** Burn dry wood only.
Do not burn: driftwood, treated wood, coal, garbage, or plastic.

FIRST FIRES

You will experience a slow start-up during the first few fires. The refractory bricks lining the firebox contain moisture from manufacturing and require a few hot fires to evaporate the moisture. While there is still moisture in the bricks, they will be black with smoke deposits. When the moisture has dissipated, the bricks will turn white. Unlike cast iron stoves, there is no need to cure the fireplace itself by starting with small fires and progressively larger ones. Feel free to light a large fire from the very start.

You will experience a slight odor during the first few fires. This odor comes from curing paint and oil burning off the metal. The odor may be strong enough to set off your smoke detector. Open the doors and windows to allow the room to properly ventilate.

REFUELING

Have your next wood load ready when you open the door. The temperature in the firebox will decrease as the door is open, so decreasing the amount of time the door is open will allow the firebox to remain hot. Do not rush.

Turn off the fans, if installed. The fans may cause smoke to spill out of the fireplace if they are running.

The door should be opened slowly to keep smoke from spilling into your room. If you have a problem with smoke spillage, check to see that all kitchen and bathroom fans have been shut off. They can cause negative pressure in the house which pulls smoke out of the fireplace.

Take the time to poke and stir the unburnt wood that is left in the firebox. This will help revive the fire. Place the new logs in the firebox. Try to maintain a clear path in front of the pilot, which is the metal tube centered at the front of the firebox. The pilot brings an influx of air close to the coals that will help to keep the fire going. Once the new wood has been loaded, keep the door slightly ajar for a couple of minutes to get the fire going depending on how well seasoned your cordwood is and how much coals were left in the firebox. Once the new wood is well lit, close the door.

You can now adjust the combustion air control according to your needs.

If you have an internal blower installed,

- wait about 45 minutes after reloading before you start the blower again if you have the combustion air control set to anything between half-way to minimum.
- wait about 20 minutes after reloading before you start the blower again if you have the combustion air control set to anything between half-way to maximum.

IMPROVING EFFICIENCY

The location of your fireplace will affect how efficiently it heats the home. Your fireplace should be located in part of the house you want to be the warmest. Trying to heat the main floor with a fireplace in the basement will generally overheat the basement and waste fuel. Certain RSF options offer the ability to move heat from the main floor to the basement. This allows you to efficiently heat your primary space while also heating the basement as a secondary space.

The efficiency will also be influenced by the draft in the chimney which will be influenced by various factors (refer to "Importance of draft" below) and by the amount of wood burning at any point (see "Burn Time vs. Heat Output" below). The efficiency will also be influenced by the quality of the wood (refer to "Fuel" below).

All of these factors must be taken into account and optimized so you can recover the maximum heat from your fireplace.

IMPORTANCE OF DRAFT

Draft is the natural force which pulls air from the fireplace up the chimney. The strength of draft in your chimney depends on a variety of factors, including chimney height, nearby obstructions, altitude, etc.

Excessive draft can result in a hotter fire than intended or reduced burn times as more air is pulled through the fireplace. It will also result in less heat recovery since the heat will not have as much time to irradiate into the room before being sucked into the chimney.

Weak draft can result in smoke entering the room and difficulty lighting or operating the fireplace. Weak draft is often incorrectly associated as a blockage in the air intake for the fireplace. Adding chimney height is the most common solution. See Table 4 for minimum chimney height recommendations.

BURN TIME VS. HEAT OUTPUT

The faster your fireplace burns the more heat it will create; however, faster fires result in much more hot air flow up the chimney which means you are sacrificing efficiency. Fast burning fires (lots of air) go through much more wood than slow burning fires. To get the most out of your PEARL 3600 fireplace, adjust the combustion air control lever at the appropriate time. If the fire seems to be burning too quickly, turn the air down. If the fire is smoldering and there are no visible flames, turn the air up. This way you'll always be getting the most out of your fuel.

TROUBLESHOOTING PROBLEMS

If smoke comes into the house when the door is opened:

- You may have opened the door too quickly and created a suction of air into the room, this can be avoided by opening the door more slowly and letting the pressure stabilize before opening it fully.
- Ensure your chimney is clean and your chimney cap is not plugged. Chimney caps with screens are more likely to become clogged with creosote buildup.
- Make sure you have adequate chimney height for your system. Refer to the Chimney section of this booklet and make sure to take altitude, and number of elbows into consideration.
- If you have purchased the inline blower, make sure it is off before opening the door.
- Check to see if other fans in the home are running, particularly a kitchen range hood or bathroom exhaust fan. This can affect the pressure in the home.
- Try opening a window near the fireplace a little, this will equalize the pressure in the home and should correct a negative pressure problem. Once proper draft is established the window can be closed.
- Make sure you've used enough kindling to establish a hot fire quickly. The most likely time that smoke will enter the home is during the lighting process.

If your fireplace burns excessively fast, seemingly uncontrollably:

- Check all door seals and gaskets to ensure that air is not leaking into the firebox. See "Door Adjustment" for details of how to verify the tightness of the door. Replace seals as necessary.
- Inspect the secondary air tubes in the top of the fireplace to ensure they are in good condition. An unwanted hole in the secondary air tubes can bring additional unwanted air into the fireplace.

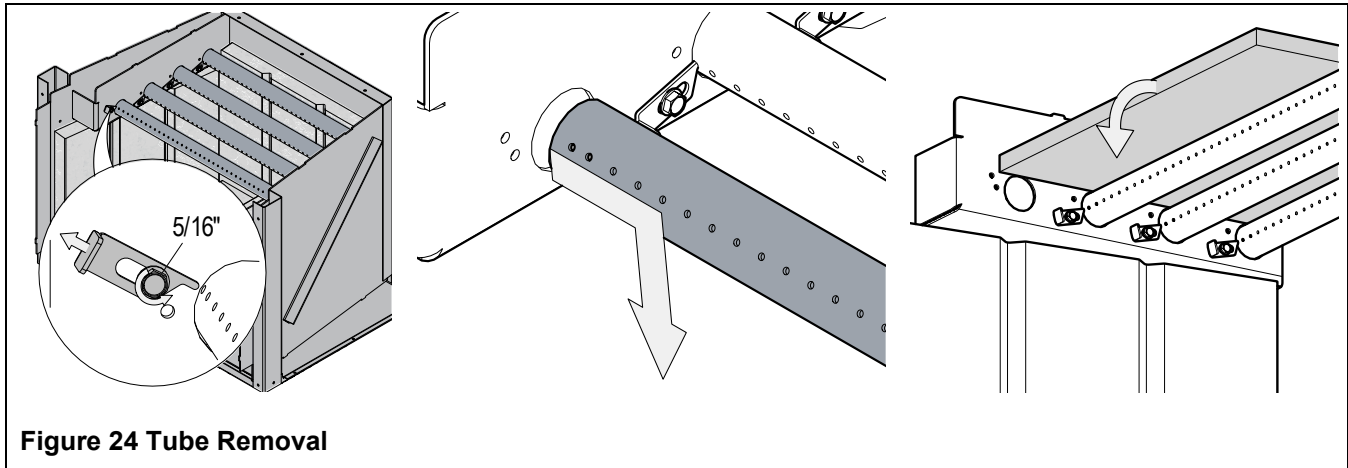
MAINTENANCE

CHIMNEY CLEANING

Check the chimney for creosote buildup every week or so until experience shows how often you need to clean it. A buildup of 1/8" (3 mm) or more should be cleaned before more creosote accumulates.

Remove the fireplace baffle prior to sweeping:

- The baffle is a hard insulation panel in the top of the firebox that sits above the tubes. To remove it, start by removing the front burn tube
- Then slide the baffle towards the front and remove it through the door opening.



Close the fireplace door prior to sweeping.

Remove the chimney cap and sweep the chimney using a 6" round soft bristle brush and remove the accumulated creosote.

Do not forget to replace both the baffle and the secondary air tube in the same manner as they were removed. Take care to properly orient the secondary air tube (holes slightly upwards facing) and insert the locking pin to secure it.

DISPOSAL OF ASHES

Remove the ashes before they become too deep, i.e., before you have a spillage problem when you open the door. The ashes should be placed in a metal container with a tight-fitting lid. The closed container of ashes should be placed on a non-combustible floor or on the ground, well away from all combustible materials pending final disposal. If the ashes are disposed of by burial, or otherwise locally dispersed, they should be retained in the closed container until all cinders have thoroughly cooled.

GENERAL CLEANING

The high heat paint can be cleaned with a soft damp cloth. Use a mild detergent and water. Do not use abrasive cleaners. See the PAINT section below for touch-ups.

GLASS CLEANING

In a controlled combustion firebox, temperatures are not always high enough to keep the glass clean. A good hot fire once a day usually cleans off most of the deposits that have accumulated. Remember: the drier the wood and the hotter the fire, the cleaner the glass. A word of caution: although heat will not break the glass, impact can. Be careful not to hit the glass. The glass is made from 5mm thick ceramic.

For light buildup, dampen a piece of balled up newspaper and dip it into the fireplace ashes to form a paste. Scrub the glass with the ash-paste to remove the soot and wipe clean. For heavier buildup, woodstove glass cleaner may be required.

❖ **WARNING:** Never clean the glass with an abrasive cleaner unless specified for that particular use. Use only a cleaner recommended by your dealer. Never clean the glass while it is hot, a serious burn can result. There are a number of excellent wood stove glass cleaners available which are far superior to regular glass and oven cleaners for wood stove applications.

PAINT

❖ **WARNING:** Avoid spraying ceramic glass cleaner or other cleaners on the paint of the fireplace. They may remove the paint and make touchups difficult.

You can touch up the face of the PEARL 3600 with *Stove Bright* Metallic Black high temperature paint which is available at most fireplaces dealers. Follow the directions outlined on the spray can. **DO NOT** attempt to paint the fireplace while it is still warm. Keep the spray can away from any source of heat or open flame. Ensure that there is adequate ventilation in the room from the time you start painting until the paint is dry. *Stove Bright* is available in a wide range of colors if you want to change the color of your PEARL 3600.

We recommend that you take the time to protect or remove any item that you do not want to paint such as: the door glass, the fireplace surroundings, etc.

DOOR ADJUSTMENT

To check for a proper door seal, insert a sheet of paper between the door and the front of the fireplace and latch the door. Pull gently but firmly on the sheet of paper. If there is resistance on the paper, the adjustment is correct. Repeat this procedure along all sides of the door.

The most important factor for controlling the burn rate of the PEARL 3600 is a good seal on the door gasket. If the door gasket is worn or damaged to the point where the seal is not adequate as described above, then remove and replace the gasket. Replacement kits are available from your RSF dealer.

If needed, the hinges can be adjusted to improve the alignment of the door latch with respect to the hole in the fireplace facing, and for easy installation/removal of the door.

◆ **NOTE:** An improperly adjusted door seal can have a significant effect on the performance and durability of the fireplace. A poorly adjusted door can result in reduced efficiency, over firing, excessive wood consumption and premature fireplace failure.

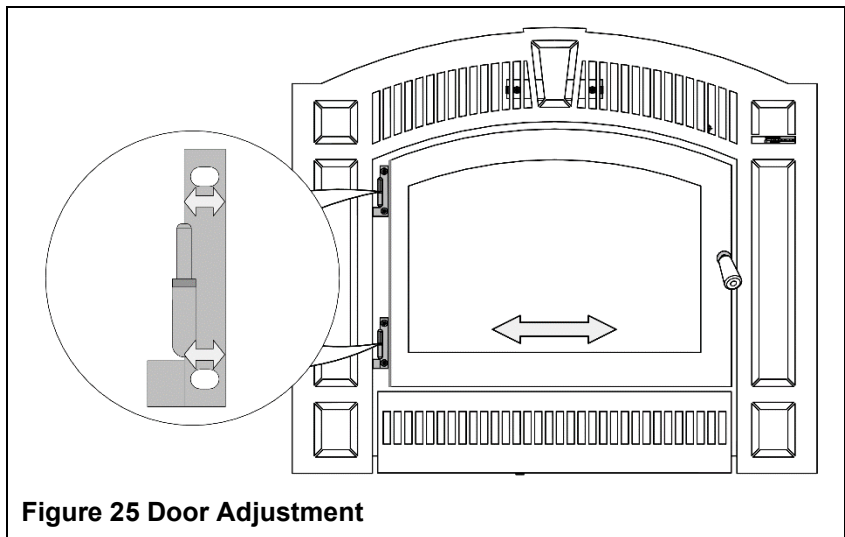


Figure 25 Door Adjustment

LISTING LABEL

The listing label is glued to the bottom of the fireplace. Just remove the bottom louver; the listing label is below the floor shield.

LISTED FACTORY-BUILT FIREPLACE AND SPACE HEATER

MODEL: PEARL 3600

TESTED TO:
UL 127 / CANULC-S610 / CANULC-S627
EPA 2020 CORDWOOD, CERTIFIED AT 1.5 GH

THIS FIREPLACE IS SUITABLE FOR MANUFACTURED/MOBILE HOME INSTALLATIONS, USING SOLID WOOD FUEL ONLY.

INSTALL AND USE ONLY IN ACCORDANCE WITH THE MANUFACTURER'S INSTALLATION AND OPERATING INSTRUCTIONS. **DO NOT OBSTRUCT COMBUSTION AIR INLET.** DO NOT USE A FIREPLACE INSERT OR OTHER PRODUCTS NOT SPECIFIED FOR USE IN THIS PRODUCT. OPERATE WITH DOOR FULLY CLOSED.

DO NOT REMOVE THIS LABEL

U.S. ENVIRONMENTAL PROTECTION AGENCY
CERTIFIED TO COMPLY WITH 2020 PARTICULATE
EMISSION STANDARDS USING CORDWOOD

MINIMUM CLEARANCES TO COMBUSTIBLE MATERIALS

SIDEWALL	12 IN. (305 mm) FROM FIREBOX OPENING
HEIGHT OF MANTEL SHELF: MAX. 12 IN. (305 mm) DEEP	28 IN. (711 mm) FROM FIREBOX OPENING
*MANTEL POSTS: MAX. 12 IN. (305 mm) DEEP	11 IN. (279 mm) FROM FIREBOX OPENING
UNIT BACK, SIDES AND BOTTOM	0 IN. (0 mm) TO SPACERS

* SEE INSTALLATION INSTRUCTIONS FOR OTHER SPECIFICATIONS OF MANTEL SHELF AND/OR MANTEL POSTS.

COMBUSTIBLE MATERIALS ARE NOT PERMITTED ON FACE OF UNIT. NON-COMBUSTIBLE HEARTH EXTENSION MUST BE 18 IN. (457 mm) DEEP BY 36 1/2 IN. (927 mm) WIDE, AS SPECIFIED IN THE INSTALLATION MANUAL.

COMPONENTS REQUIRED FOR INSTALLATION:
- USE 4 IN. OR 5 IN. (102 OR 127 mm) DIAMETER FLEXIBLE DUCT AND COMBUSTION AIR INLET ASSEMBLY, (MANDATORY FOR MANUFACTURED/MOBILE HOMES)
- USE THE ICC MODEL 6 IN. (152 mm) EXCEL CHIMNEY AND LISTED COMPONENTS AS PER INSTALLATION INSTRUCTIONS.
REFER TO MANUFACTURER'S INSTALLATION AND OPERATING INSTRUCTIONS FOR OPTIONAL COMPONENTS: FANS, GRAVITY VENT SYSTEM, ETC. ONLY ORIGINAL RSF OPTIONS SHOULD BE USED WITH THIS FIREPLACE, AND PURCHASED THROUGH RSF DEALERS.

WARNING: THIS FIREPLACE HAS NOT BEEN TESTED WITH AN UNVENTED GAS LOG SET. TO REDUCE RISK OF FIRE OR INJURY, DO NOT INSTALL AN UNVENTED GAS LOG SET INTO THE FIREPLACE.

REPLACE GLASS ONLY WITH 5 mm CERAMIC GLASS. OPERATE ONLY WITH FIREBRICK IN PLACE FOR USE WITH SOLID WOOD FUEL ONLY. DO NOT OVERFIRE UNIT.

THIS WOOD HEATER NEEDS PERIODIC INSPECTION AND REPAIR FOR PROPER OPERATION. CONSULT THE OWNER'S MANUAL FOR FURTHER INFORMATION. IT IS AGAINST FEDERAL REGULATIONS TO OPERATE THIS WOOD HEATER IN A MANNER INCONSISTENT WITH THE OPERATING INSTRUCTIONS IN THE OWNER'S MANUAL.

THIS WOOD HEATER IS NOT APPROVED FOR USE WITH A FLUE DAMPER OTHER THAN AN OPEN-CLOSE FLUE DAMPER.

CERTIFIED



UL
safety us.ca
sécurité us.ca
MH61405

NUMBER

FIREPLACE: FIRE CHAMBER FOR USE WITH ICC CERTIFIED MODEL RESIDENTIAL TYPE AND BUILDING HEATING APPLIANCE CHIMNEY



SERIAL NO. / NO DE SÉRIE

DATE MANUFACTURED / DATE DE FABRICATION

MANUFACTURED BY / FABRIQUÉ PAR:
ICC, 400 J.R. KENNEDY, ST-JEROME, QC, CANADA, J7Y 4B7

MADE IN CANADA / FABRIQUÉ AU CANADA

NE PAS ENLEVER CETTE ÉTIQUETTE

Foyer préfabriqué et appareil de chauffage homologué

MODELE: PERLE 3600

MIS À L'ESSAI SELON LES NORMES:
UL 127 / CANULC-S610 / CANULC-S627
CERTIFIÉ EPA 2020, BOIS DE CORDE, À 1,5 GH

CERTIFIÉ POUR ÊTRE INSTALLÉ DANS DES MAISONS PRÉFABRIQUÉES/MOBILES, AVEC UTILISATION AU BOIS SEULEMENT.

INSTALLER ET UTILISER SELON LES INSTRUCTIONS D'INSTALLATION ET DE FONCTIONNEMENT DU MANUEL. **NE PAS OBSTRUER L'ENTRÉE D'AIR COMBUSTIBLE.** N'UTILISEZ PAS D'ENCASTRABLE OU AUTRES PRODUITS NON SPÉCIFIÉS POUR L'UTILISATION AVEC CE PRODUIT. FAIRE FONCTIONNER LE FOYER AVEC LA PORTE COMPLÈTEMENT FERMÉE.

DÉGAGEMENTS MINIMUMS AUX MATÉRIELS COMBUSTIBLES

MUR DE CÔTÉ	12 PO. (305 mm) DE L'OUVERTURE DE LA BOÎTE À FEU
*HAUTEUR DE LA TABLETTE DE MANTEAU DE CHEMINÉE: MAX. 12 PO. (305 mm) DE PROFONDEUR	28 PO. (711 mm) DE L'OUVERTURE DE LA BOÎTE À FEU
*COLONNES DE MANTEAU DE CHEMINÉE: MAX. 12 PO. (305 mm) DE PROFONDEUR	11 PO. (279 mm) DE L'OUVERTURE DE LA BOÎTE À FEU
ARRIÈRE, CÔTÉS ET BASE DE L'APPAREIL	0 PO. (0 mm) DES ESPACEURS

* VOIR LE LIVRET D'INSTALLATION POUR AUTRES SPÉCIFICATIONS DE LA TABLETTE DU MANTEAU DE CHEMINÉE ET/OU DES COLONNES DU MANTEAU DE CHEMINÉE.

LES MATÉRIELS COMBUSTIBLES NE SONT PAS PERMIS SUR LA FAÇADE DE L'APPAREIL. LE PROLONGEMENT DE L'ÂTRE INCOMBUSTIBLE DOIT ÊTRE DE 18 PO. (457 mm) DE PROFONDEUR PAR 36 1/2 PO. (927 mm) DE LARGEUR MINIMUM SUIVANT LES SPÉCIFICATIONS DU MANUEL D'INSTALLATION.

PIÈCES REQUISES POUR L'INSTALLATION:
- TUYAU ET EXHIBÉ DE 4 PO. OU 5 PO. (102 OU 127 mm) DE DIAMÈTRE ET PRISE D'ENTRÉE D'AIR (OBLIGATOIRE DANS LES MAISONS PRÉFABRIQUÉES/MOBILES)
- UTILISER UNE CHEMINÉE EXCEL 6 PO. (152 mm) DE DIAMÈTRE DE ICC ET SES COMPOSANTS HOMOLOGUÉS SELON LES INSTRUCTIONS D'INSTALLATION.
- VOIR LES INSTRUCTIONS D'INSTALLATION DU MANUFACTURIER POUR LES COMPOSANTS OPTIONNELS: VENTILATEURS, SYSTÈME D'ÉVENT PAR GRAVITÉ, ETC. SEULES LES OPTIONS ORIGINALES DE RSF DOIVENT ÊTRE UTILISÉES ET ACHETÉES PAR L'ENTRÉE DE DÉTAILLANTS RSF.

AVERTISSEMENT: CE FOYER N'A PAS ÉTÉ TESTÉ AVEC UNE BÛCHE À GAZ SANS ÉVENT. POUR RÉDUIRE LES RISQUES DE FEU ET DE BLESSURES, NE PAS INSTALLER DE BÛCHE À GAZ SANS ÉVENT DANS CE FOYER. LE REMPLACEMENT D'UNE VITRE DOIT SE FAIRE AVEC UNE VITRE CÉRAMIQUE DE 5 mm D'ÉPAISSEUR SEULEMENT. OPÉRER SEULEMENT AVEC LES PIÈRES RÉFRACTAIRES EN PLACE POUR UTILISATION AVEC DU BOIS SEULEMENT. NE PAS SURCHAUFFER L'APPAREIL.

CE T'APPAREIL AU BOIS DOIT ÊTRE INSPECTÉ PÉRIODIQUEMENT ET MAINTENU EN BON ÉTAT DE FONCTIONNEMENT. RÉFÉREZ-VOUS AU MANUEL DU PROPRIÉTAIRE POUR PLUS D'INFORMATIONS. IL EST INTERDIT PAR LES LOIS FÉDÉRALES D'OPÉRER CE T'APPAREIL AU BOIS SANS RESPECTER LES CONSIGNES D'OPÉRATION DU MANUEL DU PROPRIÉTAIRE.

CE T'APPAREIL AU BOIS N'EST PAS APPROUVÉ AVEC UN REGISTRE DE CHEMINÉE AUTRE QU'UN REGISTRE OUVERT-FERMÉ.

930319

COMPLETE OPTIONS LIST

 RSF WOODBURNING FIREPLACES	⚡									
	Electricity required	DELTA FUSION	FOCUS 320	FOCUS 320 SBR	FOCUS ST	OPEL2 & OPEL3	OPEL+ 2C & OPEL+ 3C	OPEL+ KEYSTONE	PEARL 3600	
FIREPLACE OPTIONS										
*** Grayed out Fireplaces or Options are discontinued										

MANDATORY LOUVER/CLEAN FACE SELECTION										
UL127 & ULC-S610 Listed										
FO-F2	Clean Facing - 8" Intake (Req. 2 Gravity Vent Kits)			✓	✓		✓			
FO-F3	Clean Facing - 10" Intake (Req. 2 Gravity Vent Kits)							✓		
FO-F320SBR	F320SBR - Louver Assembly - Black				✓					
FO-F320SUR	Decorative Surround 60"			✓						
FO-OPLB	Opel - Louver Kit - Black						✓	✓		
FO-OPLC	Opel - Decorative Grills						✓	✓		
FO-OPLK	OPPK - Keystone Louver								✓	
FO-OPLT	Opel Top Louver Trim						✓	✓		

OPTIONAL FIRESCREENS										
UL127 & ULC-S610 Listed										
FO-FDFS	Firescreen - Opel							✓	✓	

OPTIONAL GRAVITY VENT KITS										
UL127 & ULC-S610 Listed										
FO-D	Gravity Vent Damper							✓	✓	
FO-DUCT5	Insulated Duct 5 feet		✓	✓	✓	✓	✓	✓	✓	✓
FO-V2	Gravity Vent Kit		✓	✓	✓	✓	✓	✓	✓	✓
FO-V3	Gravity Vent Kit (Rectangular)		✓	✓	✓	✓	✓	✓	✓	✓
FO-VGC	Contemporary Gravity Vent Grill		✓	✓	✓	✓	✓	✓	✓	✓

OPTIONAL FAN SELECTION										
UL127 & ULC-S610 Listed										
FO-CIF	Inline Fan	⚡		✓	✓		✓			
FO-FDHB5-N	Internal Blower Kit - double	⚡	✓	✓	✓		✓	✓	✓	
FO-FDHB6-1	Central Heat Blower	⚡	✓	✓	✓		✓	✓	✓	
FO-FDHB8	Internal Blower Kit - single	⚡								✓
FO-HD	Heat Dump	⚡		✓	✓		✓	✓	✓	✓

	FIREPLACE OPTIONS *** Grayed out Fireplaces or Options are discontinued	⚡								
		Electricity required	DELTA FUSION	FOCUS 320	FOCUS 320 SBR	FOCUS ST	OPEL2 & OPEL3	OPEL+ 2C & OPEL+ 3C	OPEL+ KEYSTONE	PEARL 3600

OPTIONAL ADDITIONAL ACCESSORIES										
UL127 & ULC-S610 Listed										
FO-FDHC4	Thermostat Kit	⚡		✓				✓	✓	✓
FO-FDHC6	Central Heating Control (with FO-FDHB6-1)	⚡	✓	✓	✓			✓	✓	✓
FO-FDHC6-1	Back Draft Damper		✓	✓	✓			✓	✓	✓
FO-FDHCZ1	Zone Heating Control (with FO-FDHB6-1)	⚡	✓	✓	✓			✓	✓	✓
FO-FDHCZ2	Zone Definition Kit (with FO-FDHB6-1)	⚡	✓	✓	✓			✓	✓	✓
FO-T	Central Heating Tee Option		✓	✓	✓			✓	✓	✓

MISCELLANEOUS OPTIONS										
UL127 & ULC-S610 Listed										
FO-AP	Ash Pan - Regular							✓	✓	✓
FO-CID	Intake Duct Kit - 6" (necessary for FO-CIF)									
FO-FDCCO	Opel Catalytic Kit							✓		
FO-FDM6	Brick Chimney Adapter - 6"									✓
FO-FDM7	Brick Chimney Adapter - 7"			✓	✓			✓	✓	✓
FO-FDM8	Brick Chimney Adapter - 8"		✓				✓			

MISCELLANEOUS OPTIONS										
Not listed - No impact on safety										
FO-A	Decorative Log Retainer Cap		✓	✓	✓	✓	✓	✓	✓	✓
FO-BRE	Bypass Rod Extension								✓	
FO-DTD	Digital Temperature Display								✓	✓
FO-FDS45	45° Nailing Bracket		✓							
FO-INT	Outside Air Kit - 4" diameter		✓	✓	✓	✓	✓	✓	✓	✓
FO-KDF	Rock Retainer Kit - Delta Fusion		✓							
FO-KF320	Rock Retainer Kit - F320 & F320SBR			✓	✓					
FO-KK	Rock Retainer Kit - Keystone									✓
FO-KN	Rock Retainer Kit - Onyx2/F320			✓						
FO-KP3	Rock Retainer Kit - Opel2/+2C/Opel3/+3C							✓	✓	
FO-KR	Rock Retainer Kit - Focus ST						✓			
FO-PDTB	Opel3 - Decorative Trim - Black							✓	✓	
FO-PDTG	Opel3 - Decorative Trim - Gold							✓	✓	
FO-PDTP	Opel3 - Decorative Trim - Pewter							✓	✓	

REPLACEMENT PARTS

Use only genuine RSF parts. The use of any substitutes will void the warranty and may put your safety at risk.

Will be available soon.
Contact your RSF dealer.



LIMITED WARRANTY

30 Years Limited Warranty

All RSF Woodburning Fireplaces models are warranted against defects in material and workmanship for a period of 30 years, subject to the following conditions:

During the first year **RSF Woodburning Fireplaces** will repair or replace, at our option, any parts which upon examination by an authorized **RSF Woodburning Fireplaces** representative, are found to be defective, except the parts listed in the EXCLUSIONS portion of this warranty. **RSF Woodburning Fireplaces** will also pay reasonable labor costs for the repair work.

During the second through fifth years **RSF Woodburning Fireplaces** will repair or replace, at our option, any parts which upon examination by an authorized **RSF Woodburning Fireplaces** representative, are found to be defective, except the parts listed in the EXCLUSIONS portion of this warranty. **RSF Woodburning Fireplaces** shall not be responsible for any labor costs associated with this repair work.

During the sixth through thirtieth years **RSF Woodburning Fireplaces** will provide replacement parts, if available, at 50% of the published retail price, except for the parts listed in the EXCLUSIONS portion of this warranty. **RSF Woodburning Fireplaces** shall not be responsible for any labor costs associated with this repair work.

EXCLUSIONS:

- Electrical components are warranted for one year only.
- Glass.
- Damage due to normal wear and tear, such as paint discoloration, worn gaskets, eroded or cracked refractory components or baffle.
- Repairs or replacements necessitated by vandalism, neglect, abuse, over-firing, improper fuel or fuel loads, or failure to adequately service the unit, as stated in the owner's manual.
- Repairs or replacements (particularly charges for travel and labor) not authorized by **RSF Woodburning Fireplaces** in advance.

LIMITATIONS:

- All items found to be defective will be replaced or repaired upon return of the defective part to an authorized **RSF Woodburning Fireplaces** dealer. **RSF Woodburning Fireplaces** will not be responsible for freight costs related to shipping replacement parts.
- Any complete fireplace, or part thereof, that is replaced or serviced under this warranty, will be warranted for a period not exceeding the remaining term of the original warranty.
- This warranty is not transferable.
- This warranty does not apply to damage to the appliance while in transit.
- This warranty does not apply if the installation does not conform to the installation requirements in the owner's manual.

RSF Woodburning Fireplaces is free of liability for any damages caused by the appliance, as well as material and labor charges incurred in the removal or re-installation of any **RSF Woodburning Fireplaces** fireplace under this warranty. Incidental or consequential damages are not covered by this warranty.

The remedies set forth herein are exclusive, and the liability of the seller shall not exceed the price of the fireplace or part thereof upon which the liability is based.

This warranty is expressly in lieu of all other warranties expressed or implied, including the warranties of merchantability and fitness for use and all other obligations or liabilities on the part of **RSF Woodburning Fireplaces**.