

COMPLETE COVE COLLECTION



NATURALLY CONTEMPORARY

The Cove Collection is the perfect addition to any contemporary outdoor space. The Natural Grey Supercast™ concrete lets the focus be on the stunning dancing flames. The organic, natural appearance of the concrete is unique to each fire Pit. Color variations and wear are common attributes to the fire pit. Pitting may occur.

FEATURES:

- Natural Grey Supercast™ concrete base
- CV-2424 includes a Crystal Fire® Stainless Steel Burner, CV-1242 includes riser kit
- CV-20: 55,000 BTUs (LP/NG), CV-2424: 55,000 BTUs (LP/NG), CV-30: 105,000 BTUs (LP) and 106,000 BTUs (NG), and CV-1242: 80,000 BTUs (LP/NG)
- Grey glass burner cover included
- CV-2424 has access door that conceals 20 lb. tank in base
- CV-20, CV-30, CV-1242 does not fit 20 lb. LP tank in base
- Optional glass guard and protective cover
- UL Listed, Made in USA



THE OUTDOOR
GREATROOM
COMPANY

sales@outdoorrooms.com | 1.866.303.4028 | outdoorrooms.com

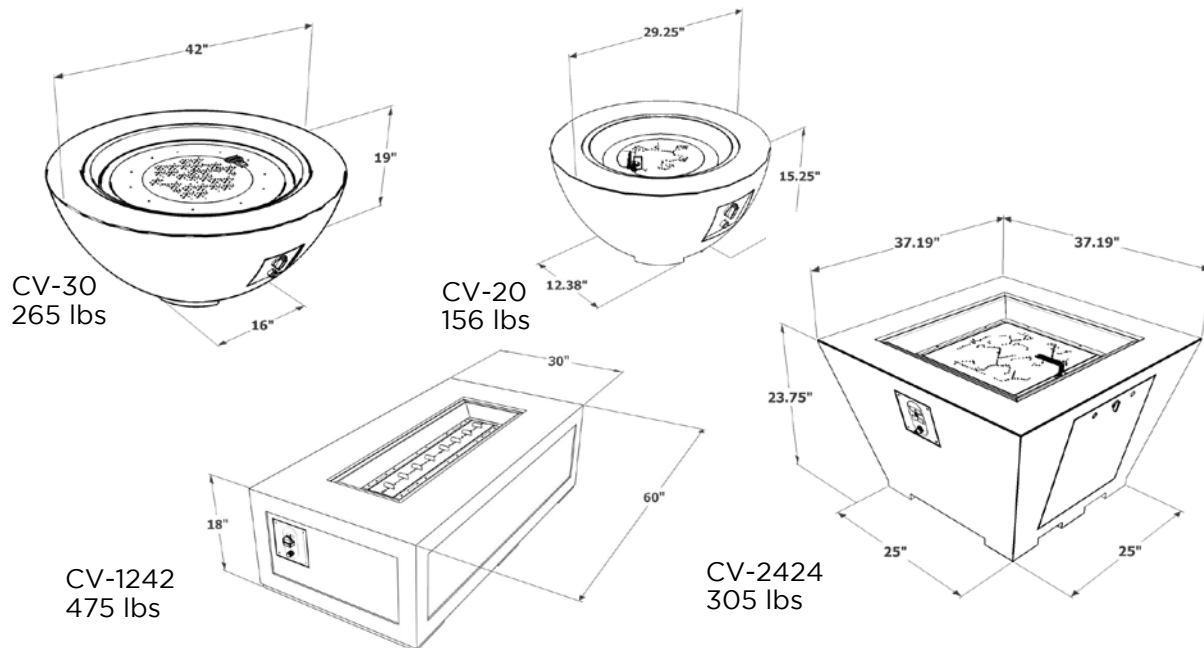
PRODUCT INFORMATION:

ITEM	ITEM CODE	RETAIL PRICE
Cove 20" Fire Pit Bowl	CV-20	\$1799
Cove 30" Fire Pit Bowl	CV-30	\$2899
Cove Linear Fire Pit Table	CV-1242	\$2999
Cove Square Fire Pit Bowl	CV-2424	\$2699

OPTIONAL ACCESSORIES:

ITEM	ITEM CODE	RETAIL PRICE
Glass Wind Guard For: CV-20 CV-30 CV-1242 CV-2424	GLASS GUARD-20-R GLASS GUARD-30-R GLASS GUARD-1242-R GLASS GUARD-2424-R	\$249 \$349 \$249 \$199
Folding Wind Guard (CV-1242)	FWG-1242	\$299
Protective Cover For: CV-20 CV-30 CV-1242 CV-2424	CVR36 CVR42 CVR6332 CVR3939	\$49 \$59 \$75 \$69

DIMENSIONS:



COMPLETE COVE COLLECTION



Midnight Mist
Supercast™

White
Supercast™

SLICK AND CONTEMPORARY

The Cove Linear Collection is the perfect addition to any contemporary outdoor space. Choose between popular Natural Grey, Midnight Mist, or White Supercast™ concrete. The natural appearance of the concrete lets the focus be on the stunning Crystal Fire® Plus Burner insert. The organic, natural appearance of the concrete is unique to each fire pit. Color variations are common attributes to the fire pit. Pitting may occur.

FEATURES:

- Natural Grey, White, or Midnight Mist Supercast™ base - color density variations ensure each fire table is unique
- 7x37" Crystal Fire® Plus Burner Insert inside 12x42" plate (CV-54); 7x57" Crystal Fire® Plus burner insert inside 12x64" plate (CV-72)
- Contemporary concrete finish is unique to each fire table, color density variations will occur
- Matching Supercast™ pedestal included
- Optional Stainless Steel top trim (SS54T; SS72T) and burner cover (SS1242BC; SS1264BC), Tumbled or Black Lava Rock (LAV-BLK or LAV-TMB), GLASS GUARD-1242 or 1264, and CVR275715 (for CV-54)
- Does not fit 20 lb. propane tank in base
- 80,000 BTUs (LP/NG for CV-54) and 100,000 BTUs (LP/NG for CV-72)
- Made in USA



THE OUTDOOR
GREATROOM
COMPANY

sales@outdoorrooms.com | 1.866.303.4028 | outdoorrooms.com

PRODUCT INFORMATION:

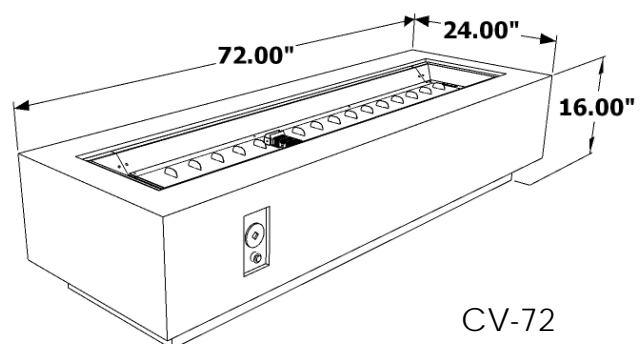
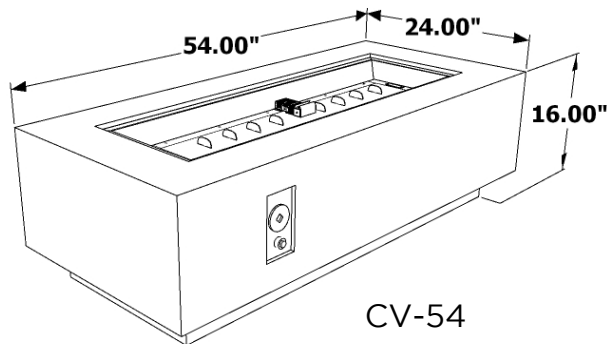
ITEM	ITEM CODE	RETAIL PRICE
Natural Grey Cove 54"	CV-54	\$4199
Midnight Mist Cove 54"	CV-54MM	\$4399
White Cove 54"	CV-54WT	\$5199
Natural Grey Cove 72"	CV-72	\$5199
Midnight Mist Cove 72"	CV-72MM	\$5399
White Cove 72"	CV-72WT	\$6199

OPTIONAL ACCESSORIES:

ITEM	ITEM CODE	RETAIL PRICE
Glass Wind Guard	GLASS GUARD-1242 (for CV-54)	\$249
	GLASS GUARD-1264 (for CV-72)	\$299
Stainless Steel Burner Cover	SS1242BC (for CV-54)	\$299
	SS1264BC (for CV-72)	\$399
Stainless Steel Top Overlay	SS54T (for CV-54)	\$699
	SS72T(for CV-72)	\$799
Tumbled Lava Rock	LAV-TMB	\$49

Refer to the fire media sell sheet for additional media options.

DIMENSIONS:



COMPLETE COVE COLLECTION



MODERN, NATURAL LOOK

The Cove Edge Collection is the perfect addition to any contemporary outdoor space. Color variations of Natural Grey, White, or Midnight Mist Supercast™ allows the focus be on the stunning dancing flames. The organic, natural appearance of the concrete is unique to each fire pit. Color variations and wear are common attributes to the fire pit. Pitting may occur.

FEATURES:

- Natural Grey, White, or Midnight Mist Supercast™ concrete base
- Contemporary concrete finish is unique to each fire pit, variations may occur
- 30" Crystal Fire® Plus Burner - 105,000 BTUs (LP), 106,000 BTUs (NG)
- Grey glass burner cover
- Does not fit 20 lb. LP tank in base
- Optional glass wind guard and protective cover sold separately
- UL Listed, Made in USA



THE OUTDOOR
GREATROOM
COMPANY

sales@outdoorrooms.com | 1.866.303.4028 | outdoorrooms.com

PRODUCT INFORMATION:

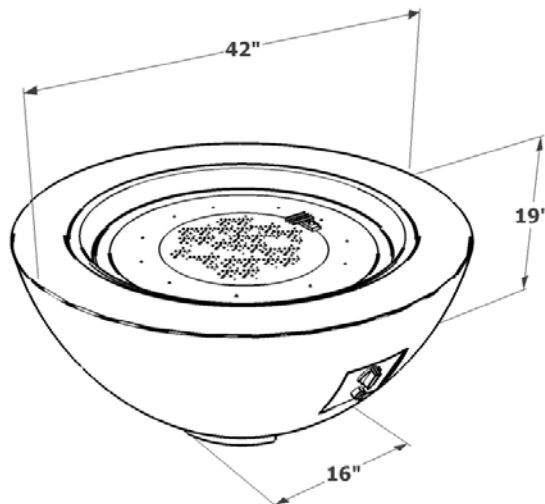
ITEM	ITEM CODE	RETAIL PRICE
Natural Grey	CV-30	\$2899
Midnight Mist	CV-30MM	\$2999
White	CV-30WT	\$2999

OPTIONAL ACCESSORIES:

ITEM	ITEM CODE	RETAIL PRICE
Glass Wind Guard	GLASS GUARD-30-R	\$349
Tan Protective Cover	CVR42	\$59

Refer to the fire media sell sheet for additional media options. 5 bags of fire media are recommended for the 30” Crystal Fire® Plus Burner.

DIMENSIONS:



265 lbs

COMPLETE COVE COLLECTION



CV-30E

CV-30EMM

CV-30EWT

NATURALLY CONTEMPORARY

The Cove Edge Collection is the perfect addition to any contemporary outdoor space. Color variations of Natural Grey, White, or Midnight Mist Supercast™ allows the focus be on the stunning dancing flames. The organic, natural appearance of the concrete is unique to each fire pit. Color variations and wear are common attributes to the fire pit. Pitting may occur.

FEATURES:

- Natural Grey, White, or Midnight Mist Supercast™ bowl - color density variations ensure each fire table is unique
- 28" round Crystal Fire® Plus burner insert and plate kit (BP30RD-A)
- Does not fit 20 lb. propane tank in base
- Optional CVR42
- 105,000 BTUs (LP); 106,000 BTUs (NG)
- Made in USA



THE OUTDOOR
GREATROOM
COMPANY

sales@outdoorrooms.com | 1.866.303.4028 | outdoorrooms.com

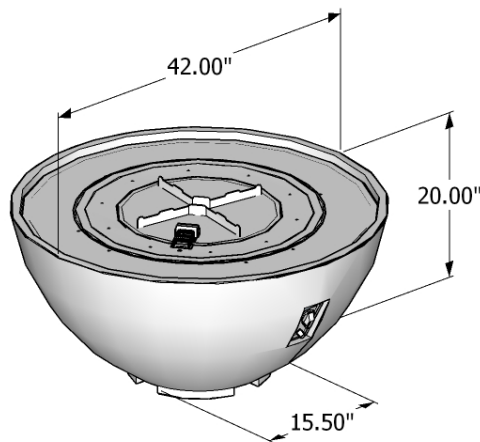
PRODUCT INFORMATION:

ITEM	ITEM CODE	RETAIL PRICE
Cove Edge 30" Natural Grey	CV-30E	\$2399
Cove Edge 30" Midnight Mist	CV-30EMM	\$2599
Cove Edge 30" White	CV-30EWHT	\$2599

OPTIONAL ACCESSORIES:

ITEM	ITEM CODE	RETAIL PRICE
Glass Wind Guard	GLASS GUARD-30-R	\$349
Tan Protective Cover	CVR42	\$59
Outdoor Ceramic Fiber Log Set	CF20-LOG SET	\$149

DIMENSIONS:



CV-30E