

SCORPIO CD
DIRECT VENT GAS FIREPLACES





Scorpio CD 4.0 shown with Blue Glass Media and Black Reflective Porcelain Liners

The **Scorpio CD** Series Direct Vent Gas Fireplaces are a true representation of transitional style. Adorned with elegant standard features like ceramic glass and reflective porcelain liners, the Scorpio CD Series also features outstanding heating capabilities. Sleek. Elegant. Powerful. That is the essence of the Scorpio CD Direct Vent Gas Fireplaces.



*Elegant Clear Glass Bead Media with
Black Reflective Porcelain Liners*



*Included multi-function
touch remote*

Options

GLASS MEDIA (REQUIRED)

Choose from Blue, Amber, Green, or Speckled Orange to complement your décor (Clear Glass Media standard)



Clear (standard)



Blue



Amber



Green



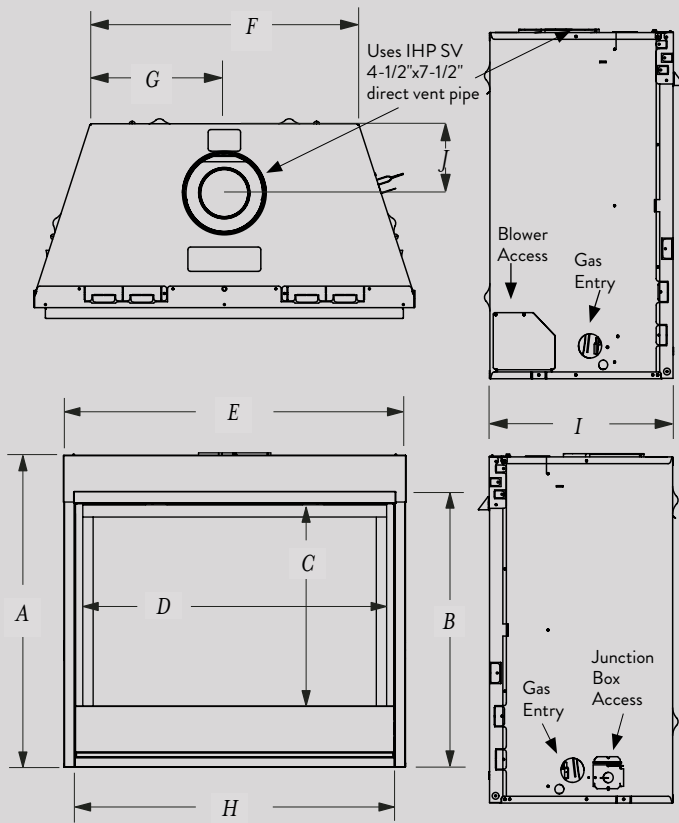
Speckled Orange

STANDARD FEATURES

- ◆ Available in 35", 40" and 45" clean-faced models
- ◆ Combo top/rear flue configuration for all models
- ◆ Electronic ignition with seamless battery backup to provide continued operation in the event of a power outage
- ◆ Outstanding heating efficiency for increased comfort and lower operating costs
- ◆ Ceramic glass for optimum heat transfer and a protective screen*
- ◆ Standard clear glass bead media
- ◆ Factory installed blower with six speed settings to fine tune your heating needs
- ◆ Standard full four-piece black reflective porcelain interior liner
- ◆ Durable textured powder coat finish
- ◆ Mood enhancing interior illumination, with six distinctive settings
- ◆ Multi-function touch remote control (thermostat, flame, blower, lighting, IPI/CPI)
- ◆ Limited Lifetime Warranty

*All applicable models comply with ANSI Z21.50/88 barrier requirements.

APPLIANCE SPECIFICATIONS



	SCORPIO CD 35	SCORPIO CD 40	SCORPIO CD 45
A	32-1/8"	37-1/8"	37-1/8"
B	28-3/4"	33-1/4"	33-1/4"
C	22-1/4"	27-1/4"	27-1/4"
D	32-3/8"	37-3/8"	42-3/8"
E	35-1/4"	40-1/4"	45-1/4"
F	25"	30"	35"
G	12-1/2"	15"	17-1/2"
H	32-7/8"	37-7/8"	42-7/8"
I	17"	17"	17"
J	6-7/8"	6-7/8"	6-7/8"

IMPORTANT NOTES:

As with any fireplace, this appliance is extremely hot during operation. Read and understand all operating instructions before using this appliance. For further information, consult your dealer.

Local conditions, such as elevation, wind, vent configuration and choice of fuel will affect overall appearance of the fire and heating performance. Performance can also vary with home design and insulation, climate, condition and type of fuel used, appliance location, burn rate, accessories chosen, chimney installation and how the appliance is operated.

Diagrams, illustrations and photographs are not to scale—consult installation instructions. Product designs, materials, dimensions, specifications, colors and prices are subject to change or discontinuance without notice.

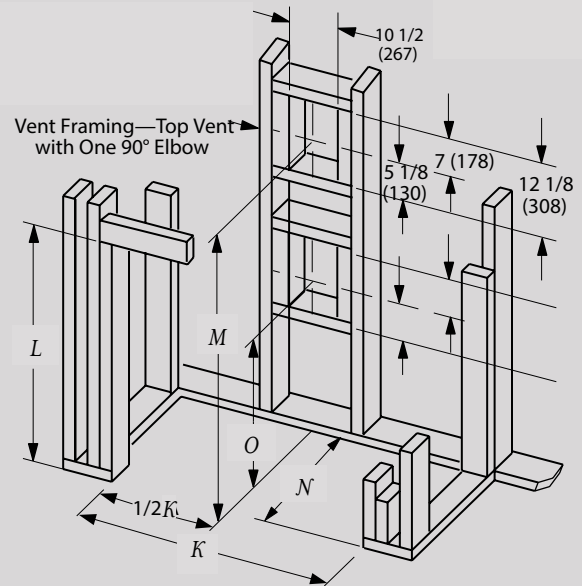
astria
FIREPLACES®

© 2018 Innovative Hearth Products

785682M 11/18

Visit us online
Astria.us.com

FLAT WALL FRAMING SPECIFICATIONS



	SCORPIO CD 35	SCORPIO CD 40	SCORPIO CD 45
K	35-3/8"	40-3/8"	45-3/8"
L	36-1/4"*	41-1/4"*	41-1/4"*
M	38-3/4"	43-3/4"	43-3/4"
N	18-1/2"	18-1/2"	18-1/2"
O	23-3/8"	28-1/4"	28-1/4"

* Includes 4" for fold-up standoffs

FIREPLACE EFFICIENCIES

MODEL	FUEL	BTU/HR	AFUE**	P4 / ENERGUE®*
SCORPIO CD 35	NG	20,000	66%	64.0%
SCORPIO CD 35	LP	19,000	66%	64.0%
SCORPIO CD 40	NG	24,000	66%	64.0%
SCORPIO CD 40	LP	22,000	66%	64.0%
SCORPIO CD 45	NG	28,000	67%	65.0%
SCORPIO CD 45	LP	26,000	67%	65.0%

*Intermittent ignition systems.

**Annual Fuel Utilization Efficiency (AFUE) is the recognized U.S. rating system for the total efficiency of heating products.

PFS
C US
Report #F13-094

