

MONTEBELLO ST

DIRECT VENT GAS FIREPLACES



MONTEBELLO ST



*Montebello ST with Black Reflective Porcelain
Liners and Split Oak Log Set*



Montebello ST Split Oak Logset



Montebello ST with Black Reflective
Porcelain Liners and Split Oak Log Set



The **Montebello See Through** Direct Vent Gas Fireplace presents a traditional design with expansive ceramic glass opening for a true masonry appearance. With its flush hearth floor design, dramatic flame and ember bed presentation along with industry leading heating performance, the Montebello ST provides multiple possibilities for making your living area warm and inviting.

STANDARD FEATURES

- ◆ Available in a 40" See Through model-configurable as indoor/indoor or indoor/outdoor applications
- ◆ Gas controls are conveniently hidden to the side of the fireplace opening for easy installation and finishing
- ◆ Electronic ignition with battery backup to provide continued operation in the event of a power outage
- ◆ Exclusive burner design to generate amazing flame and glowing logs
- ◆ Six flame settings with up to a 33% turn-down for precise heat control
- ◆ Up to 70% industry leading AFUE
- ◆ Smooth-faced design features ceramic glass for optimum heat transfer and a protective screen*
- ◆ Premium, high definition Split Oak ceramic fiber log set with beautiful glowing ceramic ember bed
- ◆ Heavy duty log grate
- ◆ Interior liner selections consists of two-piece black reflective porcelain or ceramic fiber available in a variety of colors and patterns
- ◆ Full function remote control (T-stat, flame, IPI/CPI)
- ◆ Available in dedicated power-vent models (Natural Gas only)
- ◆ Optional outdoor window kit, tested and listed to ASTM commercial window standard for air infiltration, water resistance, structural integrity and thermal resistance (U-Value/CRF)
- ◆ Limited Lifetime Warranty

*All applicable models comply with ANSI Z21.50/88 barrier requirements.

Options (Choose One)

ANDIRONS

Select from two andiron styles to further complement the look of a traditional hearth.



Classic Style



Mission Style

Total Comfort Control Remote (Included)

All Montebello DLX models come complete with a multi-function remote that gives you convenient control of all of the built-in features.



- Manual On-Off & Thermostatic Modes
- 6 Flame Heights Settings
- Weekday/Weekend Modes

Required Options (Choose One)

INTERIOR

Choose from six, realistic fireplace liners that deliver the true look of artisanal craftsmanship.



Black Reflective Porcelain Liner



Black Rustic Ceramic Fiber Liner



Architectural Stone Ceramic Fiber Liner



Buff Rustic Stacked Ceramic Fiber Liner

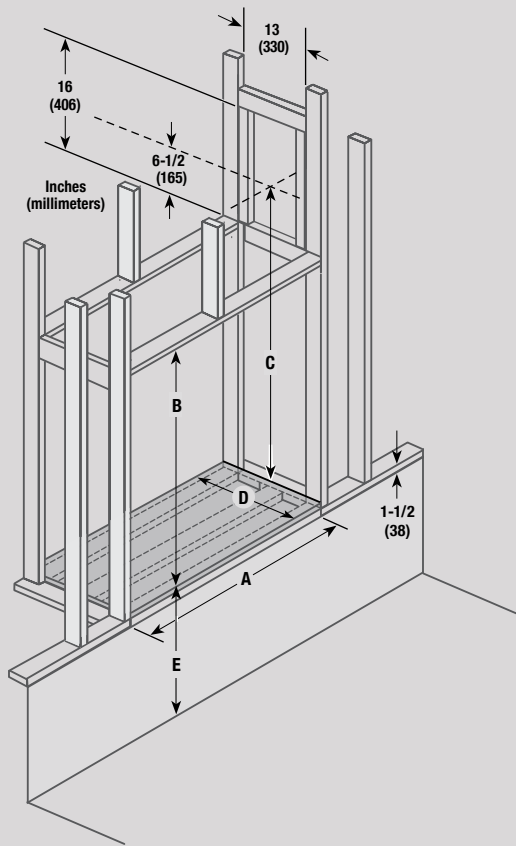


Buff Herringbone Ceramic Fiber Liner



Venetian Tile Ceramic Fiber Liner

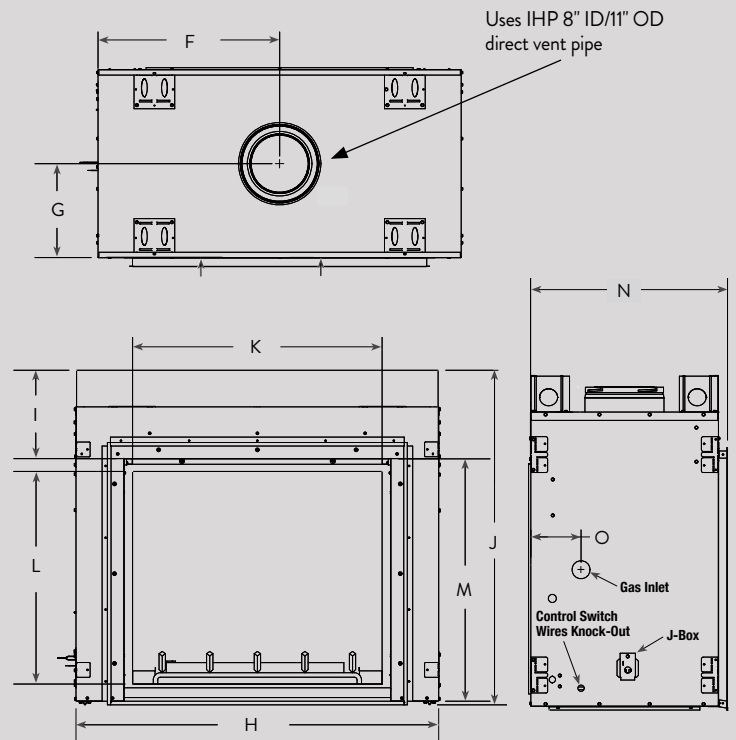
FLAT WALL FRAMING SPECIFICATIONS



MONTEBELLO ST

A	52-1/16"
B	47-5/16"
C	75-1/2"
D	26-5/16"
E	6" (Pedestal for outdoor applications only)

APPLIANCE SPECIFICATIONS



MONTEBELLO ST

F	25-9/32"
G	13-3/32"
H	50-1/2"
I	12-5/16"
J	46-19/32"
K	34-3/4"
L	29-19/32"
M	33-3/4"
N	27-7/16"
O	7"

IMPORTANT NOTES:

As with any fireplace, this appliance is extremely hot during operation. Read and understand all operating instructions before using this appliance. For further information, consult your dealer.

Local conditions, such as elevation, wind, vent configuration and choice of fuel will affect overall appearance of the fire and heating performance. Performance can also vary with home design and insulation, climate, condition and type of fuel used, appliance location, burn rate, accessories chosen, chimney installation and how the appliance is operated.

Diagrams, illustrations and photographs are not to scale—consult installation instructions. Product designs, materials, dimensions, specifications, colors and prices are subject to change or discontinuance without notice.



© 2018 Innovative Hearth Products
785619M 07/18

FIREPLACE EFFICIENCIES – Listed to ANSI Z21.88 as a gas fireplace heater.

MODEL	FUEL	BTU/HR	AFUE**	P4/ENERGUIDE*
MONTEBELLO	NG	40,000/60,000	68%	67%
MONTEBELLO	LP	43,500/56,000	70%	67%
MONTEBELLO STTYN	NG	40,000/60,000	68%	62%

*Intermittent ignition systems

**Annual Fuel Utilization Efficiency (AFUE) is the recognized U.S. rating system for the total efficiency of heating products.

Visit us online
Astria.us.com

