

MULTI-VIEW SERIES

VENTED GAS FIREPLACES



astria
FIREPLACES®

Traditional
Fireplace
Design Collection

FEATURED BELOW

*Libra See Through model
with black painted interior*

ON THE COVER

*Libra See Through
model with Buff Stacked
Ceramic Fiber Liner*





The Astria® Multi-View Vented Gas Fireplace Series offers several unique designs that create statements of style and substance in any home. Paradigms of beauty and value, these fireplaces are available in two-sided See Through, Corner* and three-sided Peninsula configurations.

We understand. The remarkable craftsmanship found within the Astria® fireplace collection is of the utmost importance to us. We understand that form and function should only exist in harmony, and the little things are just as important as the big things.

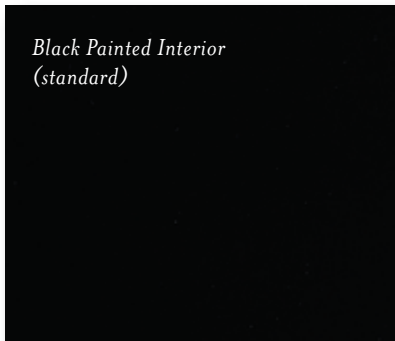
astria
FIREPLACES®
Let your style shine.



FEATURED Eros ST (See Through) with Black Painted Interior

Eros Interior

Choose from Black Painted Interior or optional Buff Stacked Ceramic Fiber Liners.



Black Painted Interior
(standard)



Buff Stacked

ADDITIONAL OPTIONS

Choice of blower with multiple control options

Remotes & wall mounted controls

EXCLUSIVE FEATURES

- ◆ Available in a 35" clean-faced peninsula and see through models
- ◆ Combo top/rear flue configuration
- ◆ Millivolt or energy saving electronic ignition
- ◆ Pre-wired for wall switch
- ◆ Outstanding heating efficiency for increased comfort and lower operating costs
- ◆ Standard tempered glass and a protective screen*
- ◆ Beautifully crafted ceramic fiber "oak" log set with 1/2" diamond-shaped heavy-duty grate
- ◆ Black painted interior (optional ceramic fiber liner available)
- ◆ Durable textured powder coat finish
- ◆ Optional remote control available for all models
- ◆ Limited Lifetime Warranty



Optional Touch Remote

*All applicable models comply with ANSI Z21.50/88 barrier requirements.

LIBRA DIRECT VENT & MARIN B-VENT GAS MULTI-VIEW MODELS

Libra CR/L (Corner), Libra PF (Peninsula), Libra ST (See Through) & Marin ST (See Through) models



FEATURED Libra CL (Corner Left) model with Black Painted Interior



*FEATURED Libra PF (Peninsula) model
with Buff Stacked Ceramic Fiber Liner*

EROS DIRECT VENT GAS MULTI-VIEW MODELS

Eros PF (Peninsula) & Eros ST (See Through) models



FEATURED Eros PF (Peninsula) shown with Buff Stacked Ceramic Fiber Liner



FEATURED Ceramic fiber "aged oak" log set with 1/2" heavy-duty grate

Libra & Marin Interior

Choose from Black Painted Interior or Buff Stacked Ceramic Fiber Liners.



*Black Painted Interior
(Standard)*



Buff Stacked

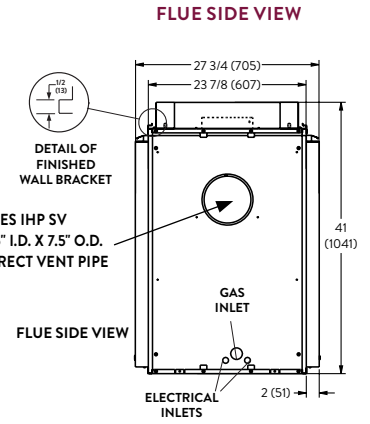
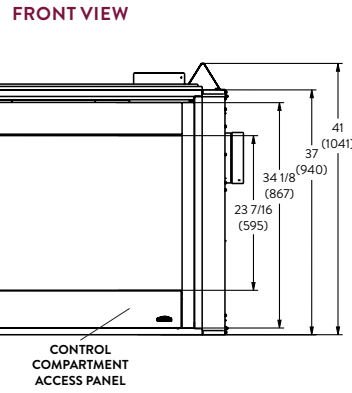
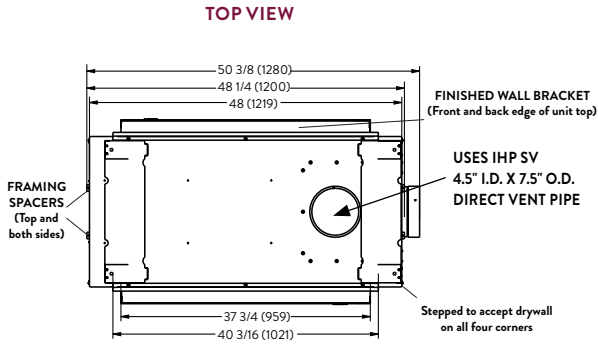


Optional Touch Remote

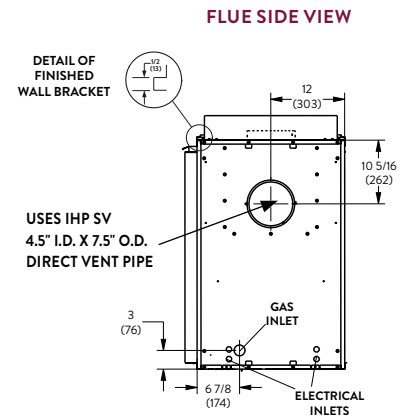
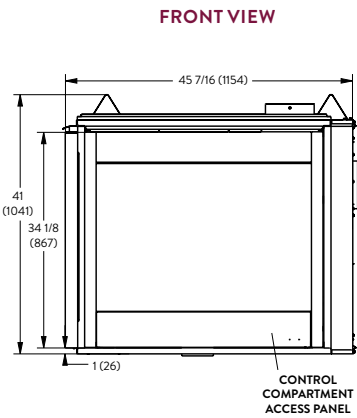
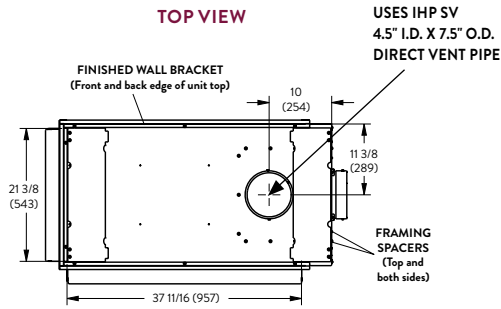
LIBRA/MARIN MULTI-VIEW FEATURES

	LIBRA	MARIN
Listed to ANSI Z21.88 Gas Fireplace Heater	♦	
Listed to ANSI Z21.50 Decorative Gas Fireplace		♦
Available in 40" clean-faced corner, peninsula & see through models	♦	
Available in 40" clean-faced see through models only		♦
Combo top/rear flue configuration	♦	
Top flue configuration		♦
Millivolt ignition	♦	♦
Energy saving electronic ignition	♦	
Pre-wired for wall switch	♦	♦
Outstanding heating efficiency for increased comfort and lower operating costs	♦	
Standard tempered glass and 2015 ANSI barrier compliant	♦	♦
Detailed ceramic fiber "aged oak" log set with 1/2" heavy-duty grate	♦	♦
Black painted interior (optional ceramic fiber liner available)	♦	♦
Durable textured powder coat finish	♦	♦
Optional remote control available for all models	♦	♦
Uses IHP SV 4-1/2" x 7-1/2" Direct Vent Pipe	♦	
Uses 6" B-Vent Pipe		♦
Limited lifetime warranty	♦	♦

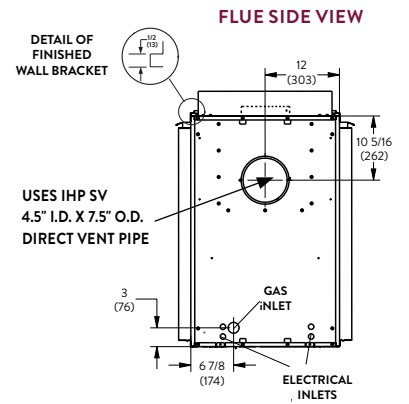
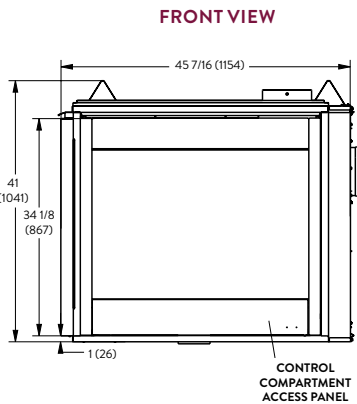
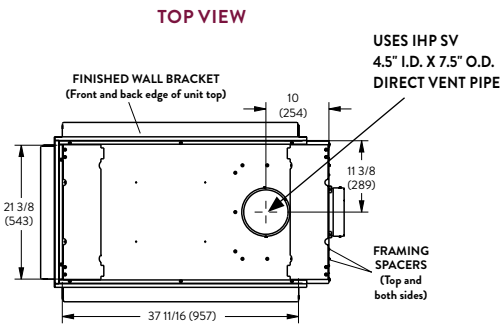
Libra ST (See Through)



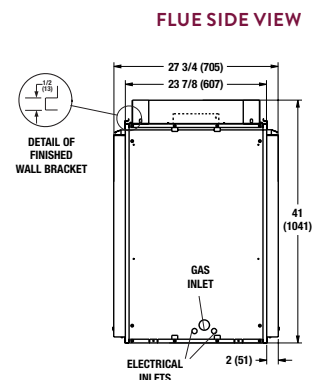
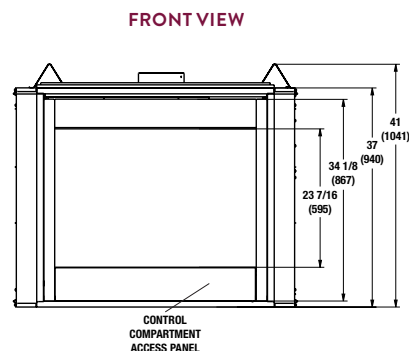
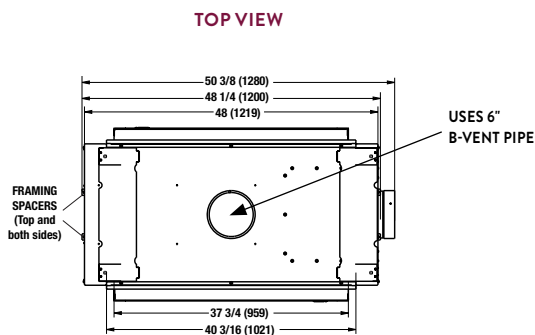
Libra CL (Corner)

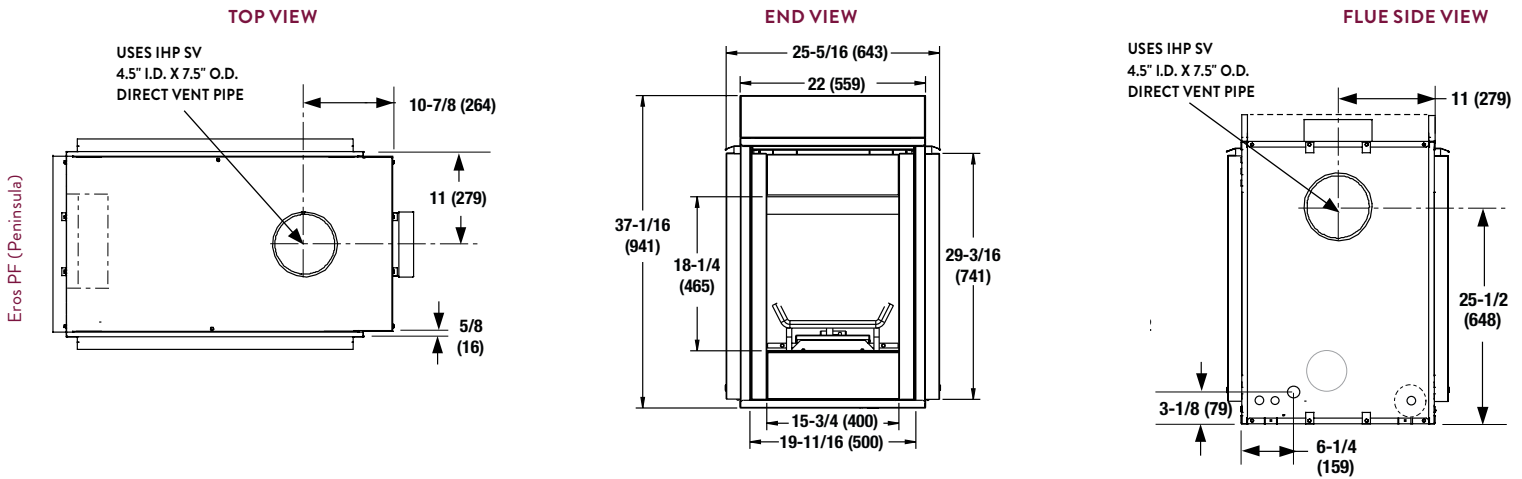
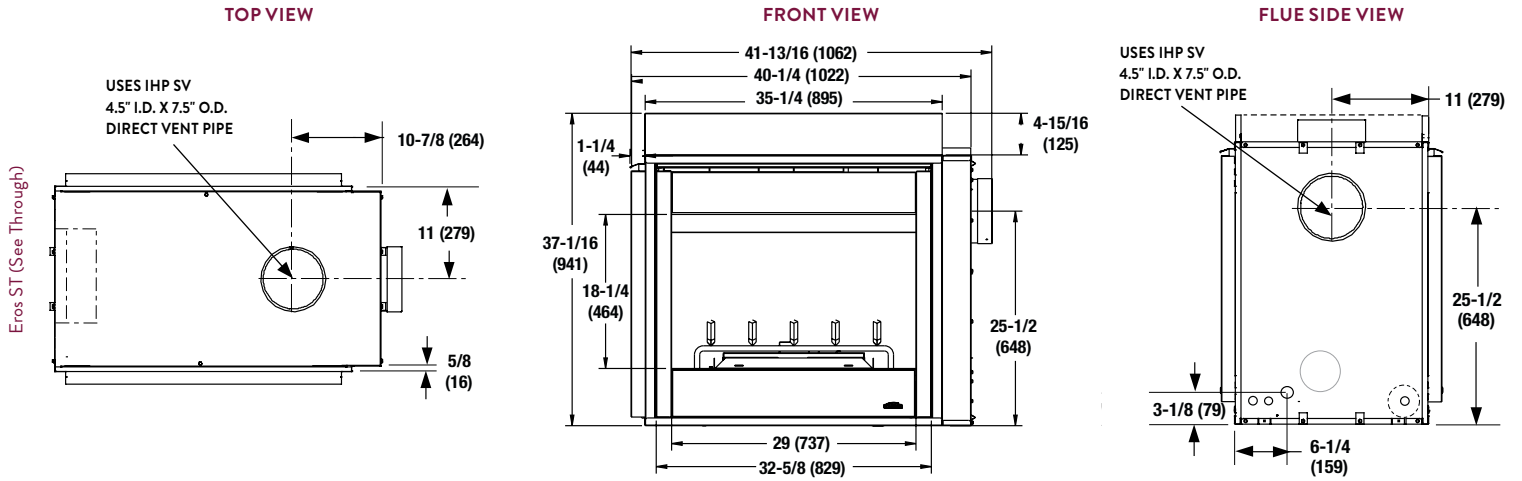


Libra PF (Peninsula)



Marin ST (See Through)





LIBRA MULTI-VIEW FIREPLACE EFFICIENCIES — Listed to ANSI Z21.88 as a gas fireplace heater

MODEL	FUEL	BTU/HR	AFUE**	P4 / ENERGUIDE
LIBRA ST40DMN	NG	29,000-37,000	70.3	57.9%
LIBRA ST40DMP	LP	27,000-34,000	69.8%	64.9%
LIBRA ST40DEN	NG	37,000	68.2%	57.7%
LIBRA PF40DMN	NG	29,000-37,000	69.1%	58.1%
LIBRA PF40DMP	LP	27,000-34,000	69.8%	64.9%
LIBRA PF40DEN	NG	37,000	68.2%	57.7%
LIBRA CL40DMN	NG	24,000-31,000	67.5%	53.4%
LIBRA CL40DMP	LP	22,000-28,000	69.0%	61.1%
LIBRA CL40DEN	NG	31,000	68.2%	57.7%
LIBRA CR40DMN	NG	24,000-31,000	67.5%	53.4%
LIBRA CR40DMP	LP	22,000-28,000	69.0%	61.1%
LIBRA CR40DEN	NG	31,000	68.2%	57.7%

**Annual Fuel Utilization Efficiency (AFUE) is the recognized U.S. rating system for the total efficiency of heating products.

MARIN MULTI-VIEW FIREPLACE EFFICIENCIES — Listed to ANSI Z21.50 as a decorative gas appliance

MODEL	FUEL	BTU/HR
MARIN 40STTMN	NG	30,000-37,500
MARIN 40STMP	LP	27,000-34,000

EROS MULTI-VIEW FIREPLACE EFFICIENCIES — Listed to ANSI Z21.88 as a gas fireplace heater

MODEL	FUEL	BTU/HR	AFUE**	P4 / ENERGUIDE
EROS 35STD MN	NG	23,000-30,000	68.8%	59.0%
EROS 35STD MP	LP	22,000-28,000	70.3%	58.6%
EROS 35STD DEN	NG	30,000	74.8%	54.7%
EROS 35PF DMN	LP	23,000-30,000	69.2%	60.1%
EROS 35PF DMP	NG	22,000-28,000	69.7%	58.7%
EROS 35PF DEN	LP	30,000	74.8%	54.7%

**Annual Fuel Utilization Efficiency (AFUE) is the recognized U.S. rating system for the total efficiency of heating products.

IMPORTANT NOTES:

As with any fireplace, this appliance is extremely hot during operation. Read and understand all operating instructions before using this appliance. For further information, consult your dealer.

Local conditions, such as elevation, wind, vent configuration and choice of fuel will affect overall appearance of the fire and heating performance. Performance can also vary with home design and insulation, climate, condition and type of fuel used, appliance location, burn rate, accessories chosen, chimney installation and how the appliance is operated.

Diagrams, illustrations and photographs are not to scale—consult installation instructions. Product designs, materials, dimensions, specifications, colors and prices are subject to change or discontinuance without notice.

astria
FIREPLACES®

Canada

ENERGUIDE

Look for the **ENERGUIDE**
Gas Fireplace Energy
Efficiency Rating in the brochure

Based on CSA P.4.1-2015