



Unit Illustrated: MQZDV4634NE2 Zero Clearance Direct Vent Gas Fireplace (Natural Gas), MQRSP39BL Glass and Rock Tray Support Platform, MQG5A Decorative Ember Glass (Cobalt), MQ46PL Porcelain Reflective Liner, MQG10B Black Glass on the bottom of the fireplace.

COVE

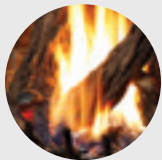
ZERO CLEARANCE DIRECT VENT GAS FIREPLACE

 marquis
COLLECTION

Model	MQZDV3927NE2	MQZDV3927LPE2	MQZDV4634NE2	MQZDV4634LPE2
Fuel	Natural	Propane	Natural	Propane
Input Max.	42,500 BTU	40,500 BTU	59,000 BTU	55,500 BTU
Input Min.	29,000 BTU	32,000 BTU	40,500 BTU	44,000 BTU
FE (P.4.1-15)	62.45%	55.50%	47.91%	38.47%
Viewing Area	26 3/4" W x 34 1/4"H		33 7/8" W x 44"H	
Venting	5"/7" Kingsman Flex or 5"/8" with Adapter		7"/10" Kingsman Flex Vent	

LOG SET

LOG SET
OR ROCK
SET
REQUIRED
FOR EACH
UNIT:



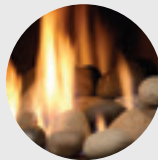
Fiber Split
Oak Log Set

OR ROCK SET

GLASS
TRAY
REQUIRED:



MQROCK2
Natural Rocks



MQROCK3
Multi-Colored

GLASS MEDIA (GLASS TRAY REQUIRED)



MQG5ZG
Zircon Glacier
Ice Glass



MQG5A
Cobalt
Ember Glass



MQG5B
Black
Ember Glass

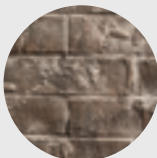


MQG5C
Bronze
Ember Glass

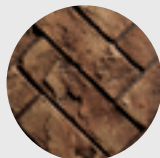


MQG5W
White
Ember Glass

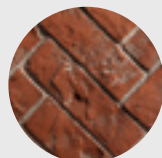
LINERS



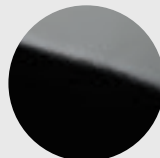
Traditional
Brick Liner



Herringbone
Brick Liner



Red Herringbone
Brick Liner



Porcelain
Reflective Liner

THERMOSTATS

Wall Mount or
Programmable



REMOTE CONTROL

On/Off, Thermostat,
Modulating and Fan/
Light Control Module



PF2



Give a **WARM**
Welcome

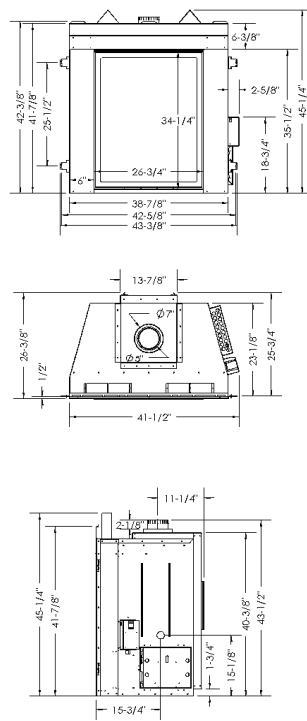
Grand in style and stature, the **Cove** makes
a contemporary statement in any home.

Visit www.marquisfireplaces.net
to see the latest evolution in fireplaces.

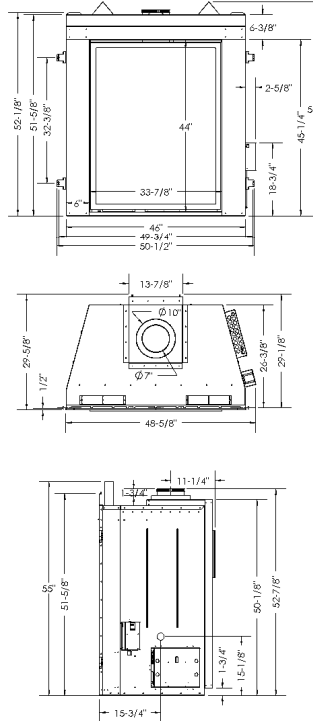


FIREPLACE GENERAL DIMENSIONS

MQZDV3927



MQZDV4634



STANDARD FEATURES

- Safety Screen Barrier
- Proflame II (PF2) Models include Remote Control – Features flame, fan, thermostat, smart thermostat, accent lighting

OPTIONAL FEATURES

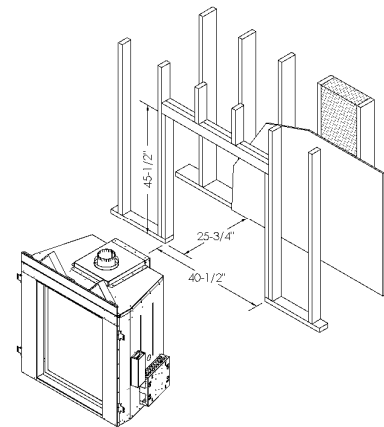
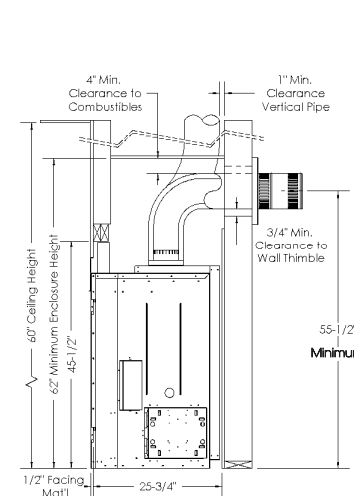
Log Set: Fiber Split Oak

Glass Tray: Contemporary Rocks (Natural or Multi-Colored), or Decorative Ember Glass (Glacier Ice, Cobalt Blue, Black, Bronze, White)

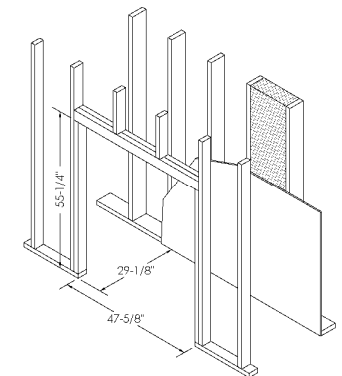
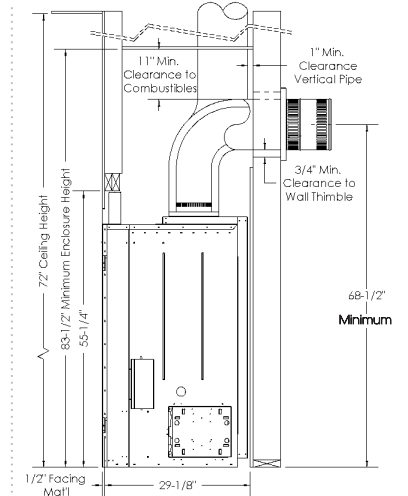
Liners: Porcelain Panels or Brick Liners

FRAMING YOUR GAS FIREPLACE

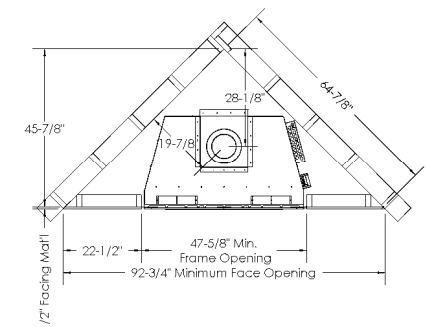
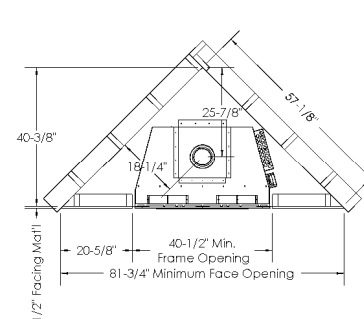
MQZDV3927



MQZDV4634



CORNER FRAME DIMENSIONS



Unit Illustrated: MQZDV4634NE2 Zero Clearance Direct Vent Gas Fireplace (Natural Gas), MQLOGF46 Fiber Split Oak Log Set, and MQ46RLT Traditional Brick Liner.



Marquis Fireplaces maintains a program of continuous testing, refinement and improvements of all its products. Some aspect of units shown here may be changed at any time without notice or obligation.

Certification: Models MQZDV3927 are certified as a Vented Gas Fireplace Heater ANSI Z21.88-2014, CSA 2.33-2014, CGA 2.17-M91 (R2009). Models MQZDV4634 are certified as a Vented Gas Fireplace ANSI Z21.50-2014, CSA 2.22-2014, CGA 2.17-M91 (R2009).

Note: Components may have to be ordered separately to create a complete unit. Discuss with your local Marquis Dealer for clarification.

Canada

ENERGUIDE

Look for the **EnerGuide**
Gas Fireplace Energy
Efficiency Rating in this brochure

Based on CSA P.4.1-15



FOR CALIFORNIA RESIDENTS ONLY:
WARNING! This product can expose you to chemicals including Carbon Monoxide, that is an externally vented by-product of fuel consumption, which is [are] known to the State of California to cause birth defects or other reproductive harm. For more information, visit www.P65Warnings.ca.gov.

Crafted entirely in Canada, each Marquis fireplace is built to the highest standards and made to last.

LIMITED LIFETIME WARRANTY



2340 Logan Avenue
Winnipeg, Manitoba, CAN
R2R 2V3
Phone: 204.632.1962
Fax: 204.632.1960
marquisfireplaces.net

Printed in Canada
B071 - 02/2020