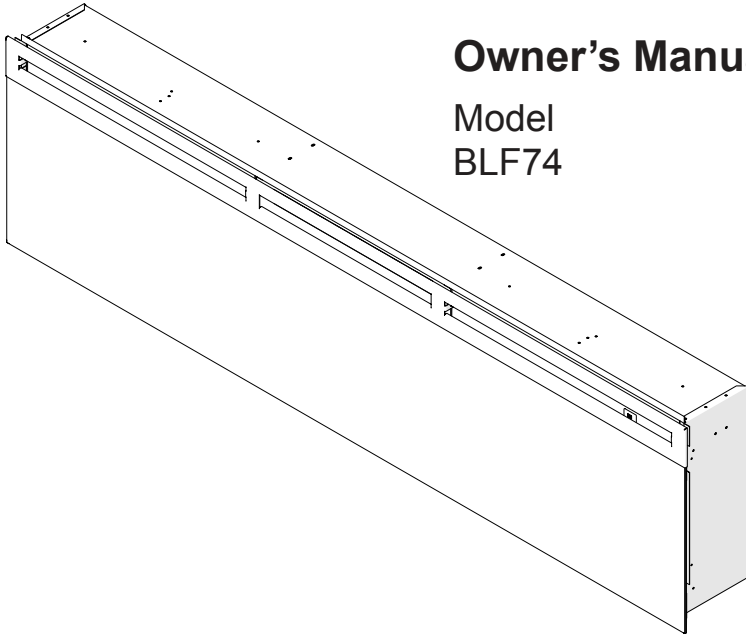




Better solutions through innovation



## Owner's Manual

Model  
BLF74

---





**IMPORTANT SAFETY INFORMATION:** Always read this manual first before attempting to install or use this fireplace. For your safety, always comply with all warnings and safety instructions contained in this manual to prevent personal injury or property damage.

To view the full line of Dimplex products, please visit  
[www.dimplex.com](http://www.dimplex.com)

7212860100R04



# Table of Contents

	Welcome & Congratulations . . . . .	3
	IMPORTANT INSTRUCTIONS. . . . .	4
	Quick Reference Guide . . . . .	7
	Fireplace Installation . . . . .	8
	Site Selection . . . . .	8
	Wiring . . . . .	9
	For Bathroom Use . . . . .	12
	Voltage Selector Switch . . . . .	12
	Surface Mount Installation . . . . .	13
	Flush Mounted Installation - 2x8 Framing. . . . .	14
	Front Glass Installation. . . . .	14
	Operation . . . . .	15
	Maintenance . . . . .	18
	Accessories. . . . .	18
	Warranty. . . . .	19
	Replacement Parts . . . . .	21

Always use a qualified technician or service agency to repair this fireplace.

**! NOTE:** Procedures and techniques that are considered important enough to emphasize.

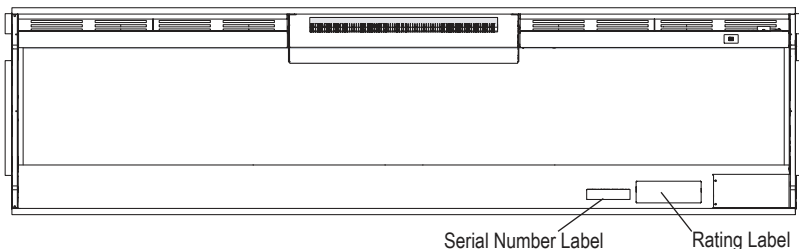
**! CAUTION:** Procedures and techniques which, if not carefully followed, will result in damage to the equipment.

**! WARNING:** Procedures and techniques which, if not carefully followed, will expose the user to the risk of fire, serious injury, or death.

## Welcome & Congratulations

Thank you and congratulations for purchasing an electric fireplace from Dimplex. Please use our convenient online registration page to record your model and serial numbers for future reference at

***[www.dimplex.com/register](http://www.dimplex.com/register)***




**Please carefully read and save these instructions.**


**⚠ CAUTION:** Read all instructions and warnings carefully before starting installation. Failure to follow these instructions may result in a possible electric shock, fire hazard and will void the warranty.



**NO NEED TO RETURN TO THE STORE**

Questions with operation or assembly? Require Parts Information?  
Product Under Manufacturer's Warranty?


Contact us at:  **[www.dimplex.com/customer\\_support](http://www.dimplex.com/customer_support)**  
For Troubleshooting and Technical Support

**OR**  **Toll-Free 1-888-DIMPLEX (1-888-346-7539)**  
Monday to Friday 8:00 a.m. to 4:30 p.m. EST

*In order to better serve you, please have your model and serial number ready or register your product online before calling (See above)*

# IMPORTANT INSTRUCTIONS

When using electrical appliances, basic precautions should always be followed to reduce the risk of fire, electric shock, and injury to persons, including the following:

- ① Read all instructions before installing or using this electric fireplace.
- ② This fireplace is hot when in use. To avoid burns, do not let bare skin touch hot surfaces. The trim around the heater outlet becomes hot during heater operation.
-  DANGER:** High temperatures may be generated under certain abnormal conditions. Do not partially or fully cover or obstruct the front of this heater.
- ③ Extreme caution is necessary when any heater is used by or near children or invalids and whenever the unit is left operating and unattended.
- ④ Young children should be supervised to ensure that they do not play with the appliance.
- ⑤ The appliance is not intended for use by young children or infirmed persons without supervision.

- ⑥ Do not operate the unit after it malfunctions. Disconnect power at the service panel and have the unit inspected by a reputable electrician before reusing.
- ⑦ Do not use outdoors.
- ⑧ Never locate fireplace where it may fall into a bathtub or other water container.
- ⑨ To disconnect the fireplace, turn the controls off, then remove the plug from the outlet or disconnect the circuit at the main disconnect panel.
- ⑩ Do not locate the heater immediately below a fixed socket-outlet.
- ⑪ Do not insert or allow foreign objects to enter any ventilation or exhaust opening as this may cause an electric shock or fire, or damage to the heater.
- ⑫ To prevent a possible fire, do not block air intakes or exhaust in any manner.
- ⑬ All electrical heaters have hot and arcing or sparking parts inside. Do not use in areas where gasoline, paint, or flammable liquids are used or stored.

# IMPORTANT INSTRUCTIONS

⑭ Do not modify the electric fireplace. Use it only as described in this manual. Any other use not recommended by the manufacturer may cause fire, electric shock or injury to persons.


⑮ Do not burn wood or other materials in the electric fireplace.


⑯ Do not strike the fireplace glass.

⑰ Always use a certified electrician should new circuits or outlets be required.

⑱ Disconnect all power supply before performing any cleaning, maintenance or relocation of the unit.

⑲ When transporting or storing the unit and cord, keep in a dry place, free from excessive vibration and store so as to avoid damage.

 **WARNING:** Remote control contains small batteries. Keep away from children. If swallowed, seek medical attention immediately.

 **WARNING:** Do not install battery backwards, charge, put in fire or mix with used or other battery types - may explode or leak causing injury.

**! NOTE:** Changes or modifications not expressly approved by the party responsible for compliance could void user's authority to operate the equipment.



**CAUTION**  
RISK OF ELECTRIC SHOCK  
DO NOT OPEN  
NO USER-SERVICABLE PARTS INSIDE



## SAVE THESE INSTRUCTIONS



# IMPORTANT INSTRUCTIONS

**! NOTE:** This equipment has been tested and found to comply with the limits for Class B digital device, pursuant to part 15 of the FCC Rules. These limits are designed to provide reasonable protection against harmful interference in a residential installation. This equipment generates, uses and can radiate radio frequency energy and, if not installed and used in accordance with the instructions, may cause harmful interference to radio or television reception, which can be determined by turning the equipment off and on, the user is encouraged to try to correct the interference by one or more of the following measures:

- Increase the separation between the equipment and the receiver.
- Connect the equipment into an outlet on a circuit different from that to which the receiver is connected.
- Consult the dealer or an experienced radio/TV technician for help.

Operation is subject to the following two conditions: (1) this device may not cause interference and (2) this device must accept any interference, including interference that may cause undesired operation of the device.



## Quick Reference Guide

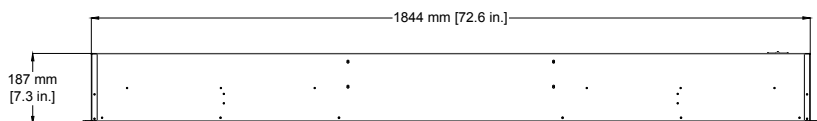
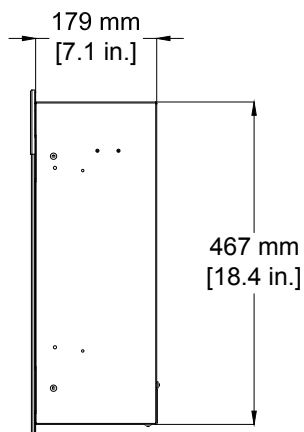
① The electrical information regarding your electric fireplace can be found on the rating label located on the front of the unit, behind the glass.

Before installation, please record your fireplace's serial number below for future reference.

② If you have any technical questions or concerns regarding the operation of your electric fireplace, or require service contact customer service.

③ For dimensions of your fireplace, refer to Figure 1.

**Figure 1**



# Fireplace Installation

## Site Selection

Review and consider all of the following conditions before installation:

- Dimensions of the unit: 74.1 in. (1883 mm) x 19.4 in. (494 mm)
- Unit requires a minimum of 3 wall studs in order to ensure a secure installation

There are two possible mounting methods:

- Surface mount (pg. 11);
- Flush mount (pg. 12).

**⚠ CAUTION:** Ensure installation does not allow fireplace to be in direct contact with building vapor barrier or insulation and meets all local building code.

**! NOTE:** A dedicated, properly fused 15 Amp circuit is required, rated for the appropriate voltage (120V, 240V).

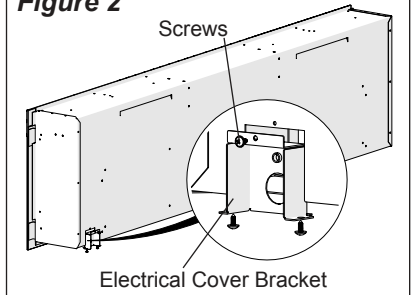
**⚠ WARNING:** Construction and electrical outlet wiring must comply with local building codes and other applicable regulations to reduce the risk of fire, electric shock and injury to persons.

**⚠ WARNING:** To reduce the risk of fire, do not store or use gasoline or other flammable vapors or

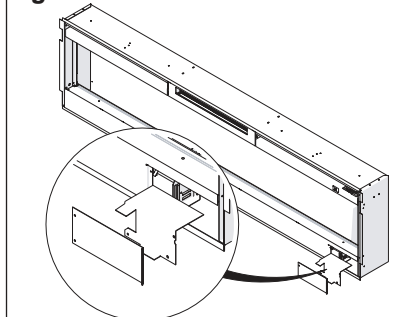
liquids in the vicinity of the heater.

1. Select a location that is not susceptible to moisture and is away from drapes, furniture and high traffic.
2. Unpack the fireplace, front glass and hardware from the box and remove all packaging materials before installation.
3. Store the fireplace in a safe, dry and dust free location until you are ready to install the

**Figure 2**



**Figure 3**





# Fireplace Installation

fireplace.

## Wiring

**⚠ WARNING:** To reduce the risk of fire, electric shock or injury to persons, always use a licensed electrician.

**⚠ WARNING:** Ensure that the On/Off Switch is set to the Off position (refer to Operation section) and that the circuit on which the fireplace is to be installed has the power cut off at the service panel until installation is complete.

1. Carefully remove the electrical cover bracket from the back of the fireplace by removing the three retaining screws. (Figure 2)
2. Leaving a minimum of 3 in. (7.6 cm) of slack, route the power supply through a cable

clamp (not included) and the hole in the electrical cover bracket.

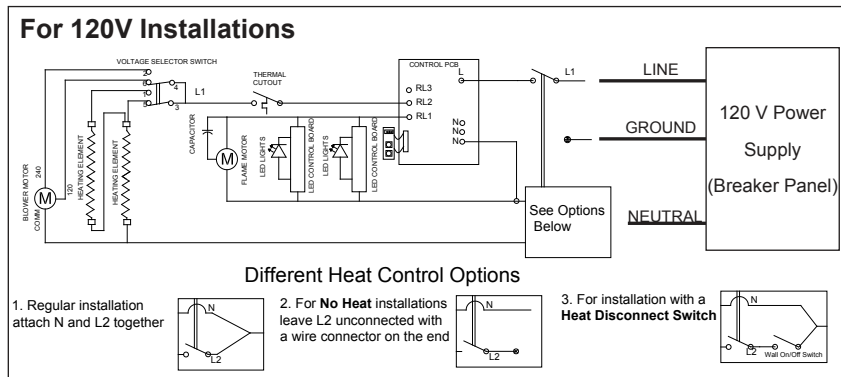
3. Remove the two covers off of the unit at the front to access the wire connections. (Figure 3)

## For 120V Installations

Use two conductor, non-metallic sheath cable with ground wire (3 wires total) for the incoming power supply.

**⚠ CAUTION:** Use the appropriate wire to meet local and national electrical codes for rated power consumption.

- Connect the black wire (L1) from the unit to the live wire from the power supply.
- Connect the white wire (N) and the red wire (L2) from the unit to the neutral wire from the



## Fireplace Installation

power supply.

**! NOTE:** The unit can also be installed so that the heater is disabled. To install the unit with **No Heat** DO NOT connect the red wire (L2) to the neutral wire. Add a wire connector to the end and leave it disconnected from everything.

**! NOTE:** The unit can also be installed using an external **Heat Disconnect Switch**. This can be installed by adding a single pole single throw wall switch between the red wire (L2) on the unit.

- Attach the grounding wire to the cover with the provided grounding screw. Place wire in-between screw and lock washer and tighten (Figure 4).
- Reposition the electrical cover brackets over the wires and connectors and attach to fireplace chassis using the screw removed in step 1 and step 3.
- Ensure that the voltage selector switch is set at the correct voltage. (See Installation - Voltage Selector Switch)

### For 240V Installations

Use three conductor, non-metallic sheath cable with ground wire

(4 wires total) for the incoming power supply on fireplace inserts.

**⚠ CAUTION:** Use the appropriate wire to meet local and national electrical codes for rated power consumption.

- Connect the black wire (L1) from the unit to the L1 wire from the power supply.
- Connect the red wire (L2) from the unit to the L2 wire from the power supply.

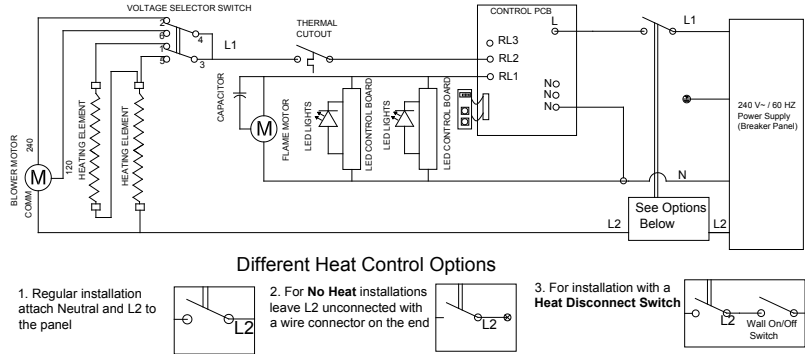
**! NOTE:** The unit can also be installed so that the heater is disabled. To install the unit with **No Heat** DO NOT connect the red wire (L2) to the neutral wire. Add a wire connector to the end and leave it disconnected from everything.

**! NOTE:** The unit can also be installed using an external **Heat Disconnect Switch**. This can be installed by adding a single pole single throw wall switch between the red wire (L2) on the unit.

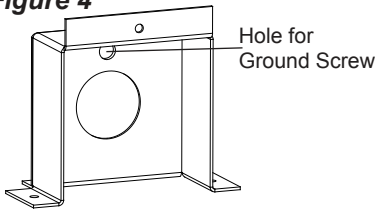
- Connect the white wire (N) from the unit to the neutral wire from the power supply.
- Attach the grounding wire to the cover with the provided grounding screw. Place wire

# Fireplace Installation

## For 240V Installations



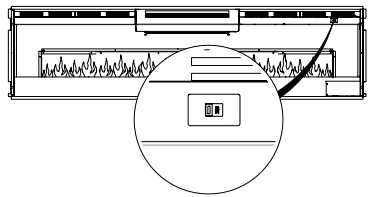
**Figure 4**



in-between screw and lock washer and tighten (Figure 4).

- Reposition the electrical cover brackets over the wires and connectors and attach to fireplace chassis using the screw removed in step 1 and step 3.
- Ensure that the voltage selector switch is set at the correct voltage. (See Installation - Voltage Selector Switch)

**Figure 5**



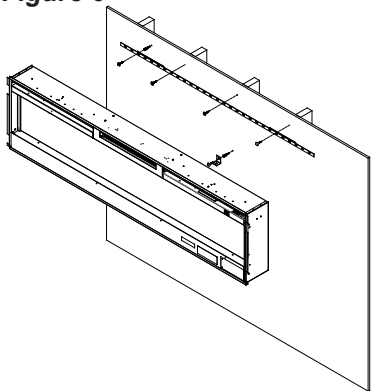
## For Bathroom Use

If this unit is installed in a bathroom it must be protected by a GFI receptacle or circuit. If receptacle is used it must be readily accessible.

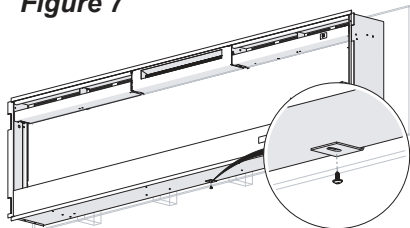
To prevent electrical shock this unit is an electrical appliance that is not watertight and must be installed as to prevent water from entering unit. This must be installed away from showers, tubs,

# Fireplace Installation

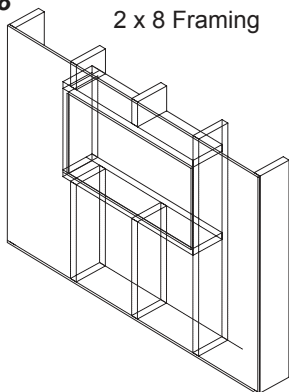
**Figure 6**



**Figure 7**



**Figure 8**



etc. Never locate fireplace where it may fall into a bathtub or other water container.

## Voltage Selector Switch

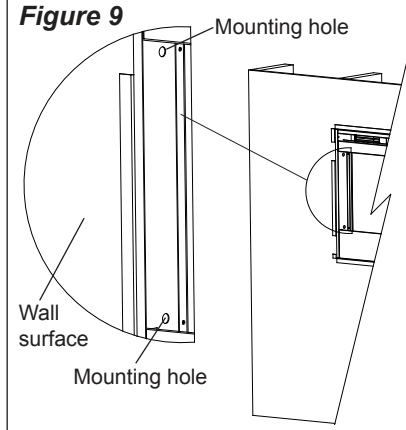
**⚠ WARNING:** Ensure that the incoming power supply voltage matches the setting of the voltage selector switch.

**⚠ CAUTION:** When changing the voltage selector switch from 240V to 120V ensure that the power supply is turned off.

**! NOTE:** The voltage selector switch is located as seen in Figure 5.

Using a flat headed screwdriver change the switch to correspond to the incoming voltage: 240V - 230 position, 120V - 115 position.

**Figure 9**



## Fireplace Installation

### Surface Mount Installation

**⚠ CAUTION:** Two people will be required for various steps of this procedure.

**⚠ WARNING:** Ensure that the On/Off Switch is set to the Off position (refer to Operation section) and that the circuit on which the fireplace is to be installed has the power cut off at the service panel until installation is complete.

1. Determine the mounting location of the unit so that the wall-mounting bracket can be installed into 3 wall studs.

**! NOTE:** It is recommended that the mounting bracket be installed 56 in. (142 cm) off of the ground to maintain an optimized viewing angle of the flame.

2. Hold the wall mounting bracket, with the bubble level on the top, on the wall so that the bubble on the level is centered between the two black lines.

3. Mark the 4 mounting screw locations, on the wall, ensuring that the wall bracket stays level. (Figure 6)

4. In locations where the screws are being installed only into drywall, install the supplied

wall anchors before installing the screw (pre-drill if required).

5. Secure the wall bracket to the wall using the supplied 1½ in. (3.8 cm) mounting screws and washers into the wall and/or wall anchors.

6. Install the bottom support bracket to the wall centered with the wall mounting bracket, using the appropriate mounting hardware, 13 ¾" (350 mm) below the wall mounting bracket. (Figure 6)

7. Remove the center screw from the bottom of the fireplace. (Figure 7)

8. Hang the fireplace from the bracket.

9. Install the removed screw through the bottom support bracket into the fireplace.

10. Refer to Front Glass Installation section final installation procedures.

### Flush Mounted Installation - 2x8 Framing

**⚠ CAUTION:** Two people will be required for various steps of this procedure.

1. Prepare a wall with a framed opening of 73 in. (185.4 cm)

## Fireplace Installation

wide x 18 ½ in. (47 cm) high (Figure 8).

**! NOTE:** It is recommended that the bottom of the unit not be mounted higher than 40 in. (102 cm) from the ground to maintain an optimized viewing angle of the flame.

**⚠ WARNING:** Do not attempt to wire your own new outlets or circuits. To reduce the risk of fire, electric shock or injury to persons, always use a licensed electrician.

**⚠ WARNING:** Ensure that the On/Off Switch is set to the Off position (refer to Operation section) and that the circuit on which the fireplace is to be installed has the power cut off at the service panel until installation is complete.

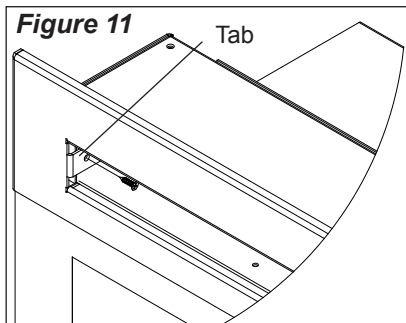
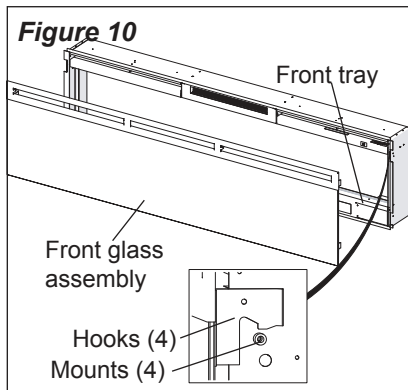
2. Lift fireplace and insert into opening. The fireplace's mounting trim should be flush against the wall (Figure 8).
3. Use the supplied bubble level to level the fireplace within the framing, adjust as required.
4. Drive four supplied mounting screws through the four mounting holes located on the inside surface of the fireplace chassis, into wall studs (Figure 9).

5. Refer to Front Glass Installation section for final installation procedures.

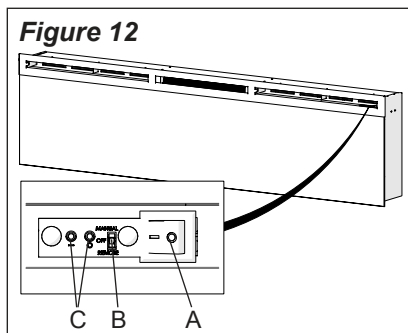
### Front Glass Installation

1. Evenly distribute supplied glass rock on the front tray of the fireplace (Figure 10).
2. Carefully mount front glass assembly so that the front glass hooks hang on the front glass mounts on the fireplace (Figure 10).
3. Use the supplied four Phillips sheet metal screws to fasten the glass assembly tabs to the fireplace (Figure 11).

## Fireplace Installation



## Operation



**⚠ WARNING:** This electric fire-box must be properly installed before it is used.

**⚠ CAUTION:** The voltage selector switch needs to be set to reflect the incoming voltage to the unit - 115V or 230V before operating the unit.

The manual controls for the electric fireplace are located on the right side of the unit and inside the air intake slot (Figure 12).

### **A. On/Off Switch**

The On/Off Switch supplies power to all fireplace functions. When the switch is in the “ I ” position, the unit is on. When in the “ O ” position, the fireplace is off.

### **B. 3-Position Switch**

The 3-position Switch changes the mode the fireplace operates in and has three positions: “ **MANUAL** ”; “ **OFF** ”; and “ **REMOTE** ”.

In “ **MANUAL** ” mode, the fireplace's three levels of operation are controlled by the manual

## Operation

control buttons.

In “**OFF**” mode, power to all functions is cut off.

When in “**REMOTE**” mode, the fireplace's levels of operation are controlled by the ON and OFF buttons on the remote control.

### **C. Manual Control Buttons**

The Manual Control Buttons operate the fireplace levels. The level is increased every time the “**I**” button is pressed the unit will cycle the levels through sequentially (from off): flames only; to flames and heat.

**! NOTE:** There is a third level that does not change the output, before cycling back to flame only.

The fireplace can be turned off at any point by pressing the “**O**” button.

**! NOTE:** The heater may emit a slight, harmless odor when first used. This odor is a normal condition caused by initial heating of internal heater parts and will not occur again.

### **Resetting the Temperature Cutoff Switch**

Should the heater overheat, an automatic cut out will turn the

fireplace off and it will not come back on without being reset. It can be reset by switching the On/Off Switch to Off and waiting five minutes before switching the unit back on.

**⚠ CAUTION:** If you need to continuously reset the heater, disconnect power and call Dimplex customer service at 1-888-DIMPLEX (1-888-346-7539).

### **Remote Control**

The fireplace is supplied with a radio frequency remote control. This remote control has a range of approximately 50 ft. (15.25 m), it does not have to be pointed at the fireplace and can pass through most obstacles (including walls). It is supplied with one of hundreds of independent frequencies to prevent interference with other units.

**! NOTE:** Before attempting any operation with the remote, pull the plastic insulator strip out from between the remote casing and battery cover (Figure 13).

### **Remote Control Usage**

The remote control operates the



## 🔑 Operation

fireplace levels sequentially (from off): flames only; to flames and heat.

**! NOTE:** There is a third level that does not change the output, before cycling back to flame only.

The level is increased every time the ON button is pressed on the remote control and the fireplace can be turned off at any point by pressing the OFF button.

### Remote Control Initialization/ Reprogramming

If the remote control or remote control receiver has been replaced, follow these steps to initialize the remote control and receiver:

1. Ensure that power is supplied through the main service panel.
2. Turn On/Off Switch to ON (Figure 12A).
3. Move the 3-position switch to the “**REMOTE**” position (Figure 12B).
4. Press and hold the Manual Control Button marked “**I**” for five seconds. After five seconds, there is a 10 second window to press any button on the remote control.

5. Press any button on the remote control within that 10 seconds. This will synchronize the remote control and receiver.

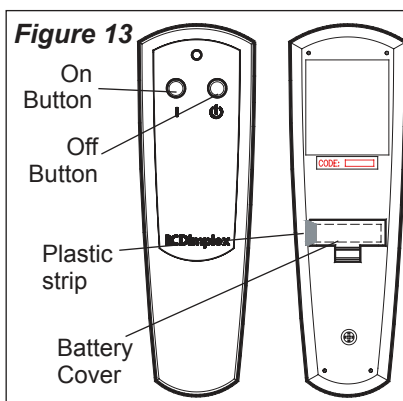
### Battery Replacement

To replace the battery:

1. Slide battery cover open on the remote control (Figure 13).
2. Install one 12-Volt (A23) battery in the battery holder.
3. Close the battery cover.



Battery must be recycled or disposed of properly. Check with your Local Authority or Retailer for recycling advice in your area.





## Maintenance

**⚠ WARNING:** Disconnect power and allow heater to cool before attempting any maintenance or cleaning to reduce the risk of fire, electric shock or damage to persons.

**! NOTE:** The fireplace should not be operated with an accumulation of dust or dirt on or in the unit, as this can cause a build up of heat and eventual damage. For this reason the heater must be inspected regularly, depending upon conditions and at least at yearly intervals.

### Partially Reflective Glass Cleaning

The partially reflective glass is cleaned in the factory during the assembly operation. During shipment, installation, handling, etc., the partially reflective glass may

collect dust particles; these can be removed by dusting lightly with a clean dry cloth.

To remove fingerprints or other marks, the partially reflective glass can be cleaned with a damp cloth. The partially reflective glass should be completely dried with a lint free cloth to prevent water spots. To prevent scratching, do not use abrasive cleaners.

### Fireplace Surface Cleaning

Use only a damp cloth to clean painted surfaces of the fireplace. Do not use abrasive cleaners.

### Servicing

Except for installation and cleaning described in this manual, an authorized service representative should perform any other servicing.



## Accessories

Contact your local authorized Dimplex dealer for these and other available accessories for your electric fireplace.

### Wall Switch Remote Control (WRCPF-KIT)

Wall mounted remote for flame On/Off and thermostat control.

### Power Cord

Power cord for plugging the unit directly into a wall receptacle.

## Warranty

### *Products to which this limited warranty applies*

This limited warranty applies to your newly purchased Dimplex electric fireplace. This limited warranty applies only to purchases made in any province of Canada except for Yukon Territory, Nunavut, or Northwest Territories or in any of the 50 States of the USA (and the District of Columbia) except for Hawaii and Alaska. This limited warranty applies to the original purchaser of the product only and is not transferable.

### *Products excluded from this limited warranty*

Products purchased in Yukon Territory, Nunavut, Northwest Territories, Hawaii, or Alaska are not covered by this limited warranty. Products purchased in these States, provinces, or territories are sold AS IS without warranty or condition of any kind (including, without limitation, any implied warranties or conditions of merchantability or fitness for a particular purpose) and the entire risk of as to the quality and performance of the products is with the purchaser, and in the event of a defect the purchaser assumes the entire cost of all necessary servicing or repair.

### *What this limited warranty covers and for how long*

Products, other than fireplace surrounds (mantels) and trims, covered by this limited warranty have been tested and inspected prior to shipment and, subject to the provisions of this warranty, Dimplex warrants such products to be free from defects in material and workmanship for a period of 2 years from the date of the first purchase of such products.

Dimplex fireplace surrounds (mantels) and trims covered by this limited warranty have been tested and inspected prior to shipment and, subject to the provisions of this warranty, Dimplex warrants such products to be free from defects in material and workmanship for a period of 1 year from the date of first purchase of such products.

The limited 2 year warranty period for products other than fireplace surrounds (mantels) and trims and the limited 1 year warranty period for fireplace surrounds (mantels) and trims also applies to any implied warranties that may exist under applicable law. Some jurisdictions do not allow limitations on how long an implied warranty lasts, so the above limitation may not apply to the purchaser.

### *What this limited warranty does not cover*

This limited warranty does not apply to products that have been repaired (except by Dimplex or its authorized service representatives) or otherwise altered. This limited warranty does further not apply to defects resulting from misuse, abuse, accident, neglect, incorrect installation, improper maintenance or handling, or operation with an incorrect power source.

### *What you must do to get service under this limited warranty*

Defects must be brought to the attention of Dimplex Technical Service by contacting Dimplex at 1-888-DIMPLEX (1-888-346-7539), or 1367 Industrial Road, Cambridge Ontario, Canada N1R 7G8. Please have proof of purchase, catalogue/model and serial numbers available when calling. Limited warranty service requires a proof of purchase of the product.

### *What Dimplex will do in the event of a defect*

In the event a product or part covered by this limited warranty is proven to be defective in material or workmanship during (i) the 2 year limited warranty period for products other than fireplace surrounds (mantels) and trims, and (ii) the 1 year limited warranty period for surrounds (mantels) and trims, you have the following rights:

- Dimplex will in its sole discretion either repair or replace such defective product or part without charge. If Dimplex is unable to repair or replace such product or part, or if repair or replacement is

## Warranty

not commercially practicable or cannot be timely made, Dimplex may, in lieu of repair or replacement, choose to refund the purchase price for such product or part.

- Limited warranty service will be performed solely by dealers or service agents of Dimplex authorized to provide limited warranty services.
- For products other than surrounds (mantels) and trims, this 2 year limited warranty entitles the purchaser to on-site or in-home warranty services. Accordingly, Dimplex will be responsible for all labour and transportation associated with repairing or replacing the product or part except as follows: (i) charges which may be levied for travel costs incurred to travel to the purchaser's site where the product is located if the purchaser's site is beyond 30 miles (48 km) from the closest service depot of Dimplex's dealer or service agent; and (ii) the purchaser is solely responsible for providing clear access to all serviceable parts of the product.
- For surrounds (mantels) and trims, this 1 year limited warranty does not entitle the purchaser to on-site or in-house warranty services. The purchaser is responsible for removal and transportation of the surrounds (mantels) and trims (and any repaired or replacement product or part) to and from the authorized dealer's or service agent's place of business. On-site or in-home services for surrounds (mantels) and trims may be performed at the purchaser's specific request and expense at Dimplex's then current rates for such services. Dimplex will not be responsible for, and this limited warranty shall not include, any expense incurred for installation or removal of the surrounds (mantels) or trims or any part thereof (or any replacement product or part) including, without limitation, all shipping costs and transportation costs to and from the authorized dealer's or service agent's

place of business and all labour costs. Such costs shall be the purchaser's responsibility.

*What Dimplex and its dealers and service agents are also not responsible for:*

IN NO EVENT WILL DIMPLEX, OR ITS DIRECTORS, OFFICERS, OR AGENTS, BE LIABLE TO THE PURCHASER OR ANY THIRD PARTY, WHETHER IN CONTRACT, IN TORT, OR ON ANY OTHER BASIS, FOR ANY INDIRECT, SPECIAL, PUNITIVE, EXEMPLARY, CONSEQUENTIAL, OR INCIDENTAL LOSS, COST, OR DAMAGE ARISING OUT OF OR IN CONNECTION WITH THE SALE, MAINTENANCE, USE, OR INABILITY TO USE THE PRODUCT, EVEN IF DIMPLEX OR ITS DIRECTORS, OFFICERS, OR AGENTS HAVE BEEN ADVISED OF THE POSSIBILITY OF SUCH LOSSES, COSTS OR DAMAGES, OR IF SUCH LOSSES, COSTS, OR DAMAGES ARE FORESEEABLE. IN NO EVENT WILL DIMPLEX, OR ITS OFFICERS, DIRECTORS, OR AGENTS BE LIABLE FOR ANY DIRECT LOSSES, COSTS, OR DAMAGES THAT EXCEED THE PURCHASE PRICE OF THE PRODUCT.

SOME JURISDICTIONS DO NOT ALLOW THE EXCLUSION OR LIMITATION OF INCIDENTAL OR CONSEQUENTIAL DAMAGES, SO THE ABOVE LIMITATION OR EXCLUSION MAY NOT APPLY TO THE PURCHASER.

*How State and Provincial law apply*

This limited warranty gives you specific legal rights, and you may also have other rights which vary from jurisdiction to jurisdiction. The provisions of the United Nations Convention on Contracts for the Sale of Goods shall not apply to this limited warranty or the sale of products covered by this limited warranty.



## Replacement Parts

Element . . . . .	.2200510700RP
Partially Reflective Glass Replacement Kit . . . . .	.9600750100RP
Blower Assembly . . . . .	.5300160300RP
Front Glass . . . . .	.6908730100RP
Flicker Motor . . . . .	.2000220100RP
Flicker Assembly . . . . .	.5902490100RP
Cutout . . . . .	.2300201600RP
LED Light Panel. . . . .	.3000830200RP
Remote Receiver. . . . .	.3000821000RP
Switch Board . . . . .	.3000821100RP
LED Driver Board . . . . .	.3000810100RP
LED Driver Board . . . . .	.3000810200RP
On/Off Switch . . . . .	.2800070400RP
Voltage Selector Switch. . . . .	.2800080100RP
Remote Control . . . . .	.3000370900RP
Glass Media. . . . .	.1400070100RP
Mounting Kit. . . . .	.9600760100RP



**Dimplex North America Limited**  
1367 Industrial Road  
Cambridge ON  
Canada N1R 7G8

© 2015 Dimplex North America Limited