



Warmth from the heart of J.A.ROBY INC.

PLEASE READ CAREFULLY AND KEEP
THIS MANUAL FOR FUTURE REFERENCE

Instruction Manual

CUISINIÈRE LX



NATIONAL FIREPLACE INSTITUTE
NFI
CERTIFIED
www.nficertified.org

We recommend that our woodburning hearth products be installed and serviced by professionals who are certified in the U.S. by the National Fireplace Institute® (NFI) as NFI Woodburning Specialists or who are certified in Canada by Wood Energy Technical Training (WETT).

Wood Energy Technical Training
www.wettinc.ca



Tested and listed to
ULC STD S627-00
UL 1482-7
CAN/CSA STD B415.1-10

490, rue de l'Argon
Quebec, CANADA G2N 2C9
Tel.: 418-849-8095 Fax: 418-849-0077
www.jaroby.com

TABLE OF CONTENT

Introduction.....	3	Control of primary and secondary air admission.....	24
Rating plate	4	Lightning fire	24
Appliance dimensions	5	First fire.....	24
Installation	6	Keeping a fire.....	24
Floor protection	6	Operation of cooking holes	25
Minimum dimension of floor protection plate	6	Storage of the cooking hole handle.....	25
Clearances chart on floor plate	7	Storage of warming oven handle	25
Minimum clearances to combustible material	8	Opening and closing of warming oven	26
Assembly before installation	9	Wood storage	26
Warming oven top Assembly	9	Maintenance.....	27
Firebricks installation.....	11	Ash Removal	27
Back firebricks installation	11	Ash Disposal.....	27
Side firebricks installation	11	Creosote Formation.....	27
Floor firebricks installation	12	Chimney Inspection.....	27
Firebricks installation on the pipes.....	12	Chimney Sweeping.....	28
General steps of stove installation	15	Door maintenance	28
Chimney connector installation	16	Air Tighten Adjustment	28
Installation in a mobile home.....	17	Cleaning up glass	28
General steps of chimney installation	18	Disassembly and reassembly of door.....	29
Vertical Installation Inside Masonry Chimney	19	Replacing broken glass	29
Outside Vertical Installation	19	Replacing glass fiber rope	29
Vertical Installation on Cathedral Roof.....	20	What to do in case of Chimney Fire	30
Offset Vertical Installation	20	Annex 1	31
Vertical Installation.....	21	Door assembly.....	31
Combustion air intake.....	22	Wood Stove Door	31
Exterior Air Intake pipe.....	22	Oven Door	32
Installation of Air Intake Pipe	22	Annexe 2	33
Air Inlet Obstruction	22	Replacement parts.....	33
Replacement of stainless steel tubes.....	23	J. A. Roby limited lifetime warranty	34
Installation of stainless steel tubes	23		
Operating Instructions	24		

Introduction

Please read all the instructions carefully before installing your new J. A. ROBY CUISINIÈRE cook stove. A proper installation is very important for a safe and effective use of your stove. If you have any doubts about the installation of your appliance, we suggest to call a professional installer. A wrong installation may result in a fire, injury or loss of life.

Please keep this manual for future use.


This appliance must be connected to

- A type HT chimney of 6 inch diameter (15.24 cm) listed to UL-103 or ULC-S629
- A conforming masonry chimney of 6 inch diameter (15.24cm) with qualified internal lining

N.B: Please be aware that the local codes and regulations might be more specific than this manual. You can consult a professional installer, the Fire Department or local authorities about restriction on installation of solid-fuel burning appliances.

DO NOT CONNECT THIS APPLIANCE TO A CHIMNEY FLUE SERVING ANOTHER APPLIANCE.

Rating plate



Intertek
W/N XXXXX
WH-

NE PAS ENLEVER CETTE ÉTIQUETTE / DO NOT REMOVE THIS LABEL

POÊLE À COMBUSTIBLES SOLIDES HOMOLOGUÉ / LISTED SOLID FUEL BURNING SPACE HEATER
(NOVEMBRE / NOVEMBER 2014)

FABRIQUÉ AU CANADA PAR: / MADE IN CANADA BY: J.A. ROBY INC.

Au cœur de la chaleur / Warmth from the heart of J.A. Roby Inc.
460 r. de Major, Québec, Canada, G2N 2G9

MODELES / MODELS:

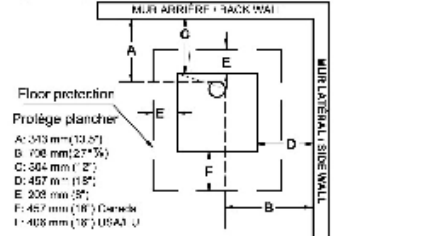
- TISON
- ROBY2500
- FORGERON
- ATMOSPHÈRE 2012

ÉGALEMENT POUR / ALSO FOR USE IN MOBILE HOME.

CUISINIÈRE / COOKSTOVE

PAS POUR LES MAISONS MOBILES / NOT FOR USE IN MOBILE HOME

-Installer et utiliser seulement conformément aux instructions du manuel d'installation et d'utilisation du manufacturier.
Renseignez-vous auprès des responsables locaux de la construction et de la prévention des incendies au sujet des restrictions et inspections des installations dans votre région.
-Install and use only in accordance with manufacturer's Installation and Operating Instructions.
Contact local building or fire officials about restrictions and installation inspection in your area.
Dépassements minimaux aux matériaux combustibles (mesuré à partir du dessus du poêle) Avec tuyau à parois simple et pare-chaleur*
-Minimum clearances to combustible materials (measured from stove top) With single wall connector and heat shield*.



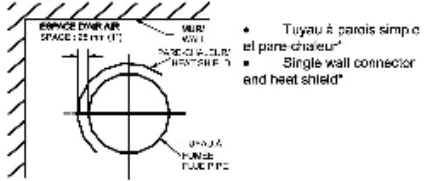
VENTILATEUR / BLOWER : 120V / 60 Hz / 0.8 Amp. Use only J.A. Roby Part Kit! (Vent)

- Pour plus de sécurité Observer les directives du fabricant pour l'installation et l'utilisation du poêle.
- Cet unité doit être installée sur un protège plancher incombustible de 10mm (3/8") dimensionné selon le dessin ci-haut.
- Ne pas surchauffer, si le poêle ou le collet de la cheminée deviennent rouge le poêle surchauffe.
- Ne pas brancher cet appareil sur une cheminée servant à un autre appareil.
- Inspecter et nettoyer la cheminée fréquemment. Sous certaines conditions d'opération le créosote peut s'accumuler rapidement.
- Ne rien entreposer sous le poêle.
- Ne pas utiliser de chenets ou de grilles pour élever le feu.
- Préparer le feu directement sur l'âtre.
- Remplacer la vitre que par un verre de céramique de 5mm d'épaisseur.
- Pour une utilisation avec du bois de chauffage seulement.
- Brûler avec la porte fermée.
- Exigences pour installation dans une maison mobile: kit de sortie d'air extérieur, grille homologuée pour la prise d'air extérieur, connecteur à double parois homologué, un capuchon avec pare-étincelle homologué.
- DANGER: Risque de choc électrique, avant l'entretien débrancher l'appareil. Ne placer pas le cordon d'alimentation en face ou en dessous de l'appareil.
- ATTENTION: les pièces mobiles peuvent causer des blessures, ne pas opérer l'appareil avec l'accès au ventilateur ouvert.

CERTIFIÉ SELON LA NORME ENVIRONNEMENTALE: ENVIRONMENTAL CERTIFIED TO: CAN / CSA B415.1-10

MIS À L'ÉPREUVE SELON: TESTED TO: ULC STD S627.00 / UL 1482-7

EMISSION / RATE: 1.3 gr/h
HHV / HIGH HEAT VALUE: 73.01%
LHV / LOW HEAT VALUE: 78.61%
EFFICACITÉ MOYENNE / AVERAGE CAPACITY: 53,935 Btu/h



EXIGENCE: (pare-chaleur)
Feuille de métal de 0.33 mm (0.013") d'épaisseur espacée du tuyau à fumée de 25mm (1") par des matériaux incombustibles et de largeur suffisante pour permettre que la plus petite distance aux matériaux combustibles non protégés soit d'au moins de 450mm (18")

REQUIREMENT: (Heat Shield)
0.33 mm (0.013") sheet metal spaced out from the flue pipe 25mm (1") by non combustible spacers and such width that the shortest distance to any unprotected combustible surface is at least 450 mm (18")

- -For Safe Operation, Install In Accordance With The Manufacturer's Instructions.
- -This Appliance Must Be Placed on a 10 mm (3/8") noncombustible floor protection like schematic dimension above.
- -Do Not Overfire - If heater or chimney connector glows, You are overfiring.
- -Do Not Connect This Unit to a Chimney Serving Another Appliance.
- -Inspect And Clean Chimney Frequently - Under Certain Conditions Of Use, Creosote Buildup May Occur Rapidly.
- -Do Not Obstruct Space Under The Stove.
- -Do Not Use Grate Or Elevate Firebuild Wood.
- -Fire Directly On Hearth.
- -Replace Glass Only With Ceramic Glass 5mm Thick.
- -For Use With Solid Wood Fuel Only
- -Burn With The Door Closed.
- -Required components for mobile home installation: air inlet kit, listed outside air inlet grid, listed double wall connector, listed chimney for mobile home, listed chimney cap with spark retainer.
- -DANGER: Risk of electric shock. Disconnect power before servicing unit. Do not route power cord under or in front of appliance.
- Caution: moving part may cause injury, do not operate unit with blower access port open.



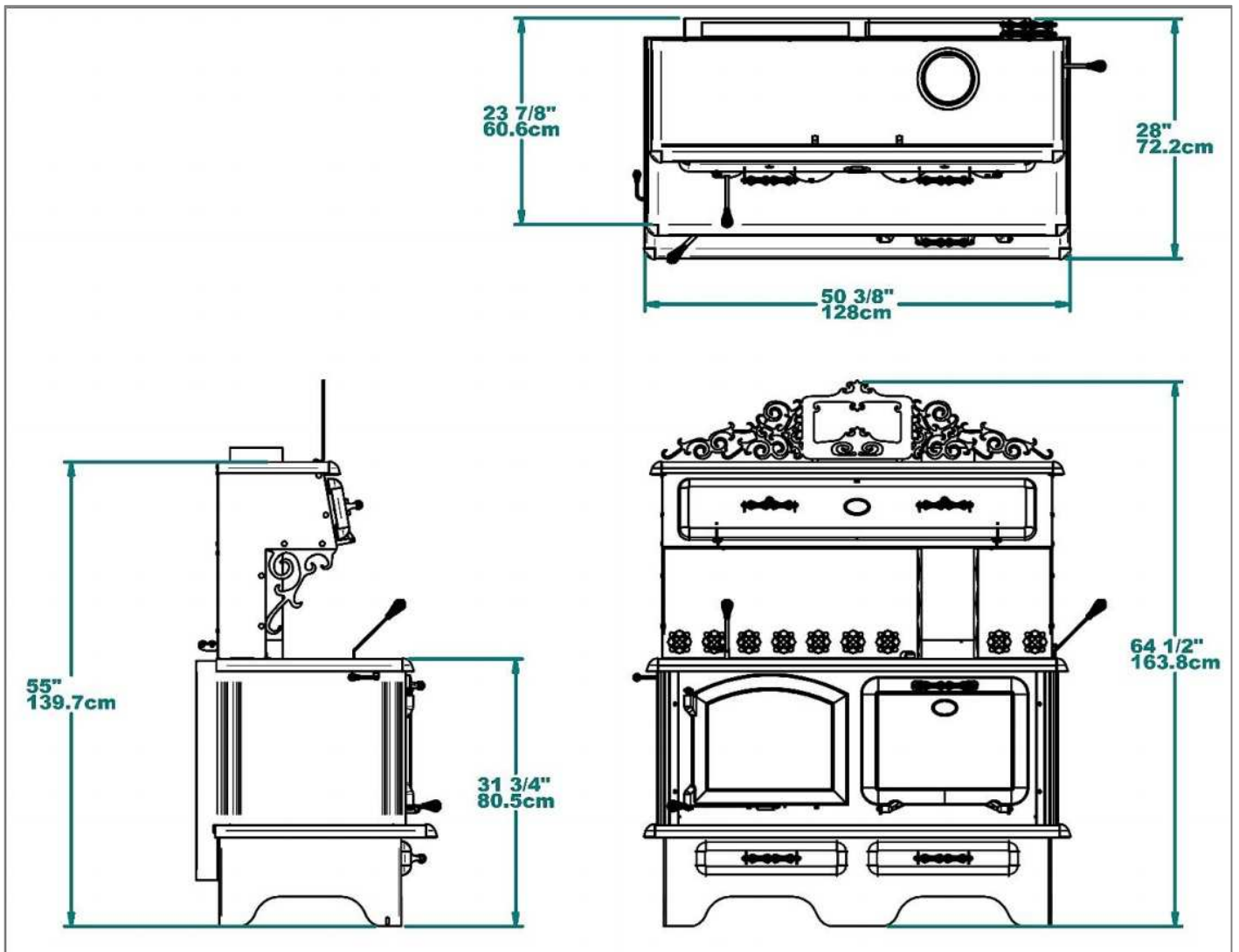
CAUTION !

HOT WHILE IN OPERATION. DO NOT TOUCH. KEEP CHILDREN, CLOTHING AND FURNITURE AWAY. CONTACT MAY CAUSE SKIN BURNS. SEE NAME-PLATE AND INSTRUCTION.

ATTENTION!

CHAUD LORSQU'EN FONCTION, NE PAS TOUCHER, GARDER LOIN DES ENFANTS, DES TISSUS ET DES MEUBLES. LE CONTACT PEUT CAUSER DES BRÛLURES À LA PEAU. VOIR LA PLAQUE SIGNALÉTIQUE ET LES INSTRUCTIONS.

Appliance dimensions



Installation

Floor protection

Your stove must be installed on a plate of non-combustible material to protect the floor and avoid fire caused by:

- Projections of sparks at the moment of opening the door and loading.
- The heat radiation of runaway which might cause self-ignition of floor and surface.
- Possible creosote flow when there is a chimney fire.

UNITED STATES ONLY: The surface must be non-combustible and listed to the USA standard UL1618 or the local codes (Example: cement, brick, ceramic tiles etc.)

Minimum dimension of floor protection plate

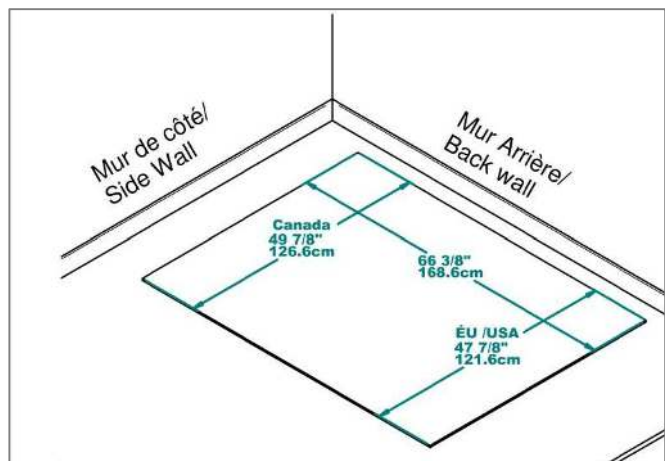
The following dimensions are the minimum values.

Canada:

- 49 7/8 in (126.6 cm)
- 66 3/8 in (168.6 cm)
- 3/8 in thickness (1 cm)

USA:

- 47 7/8 in (121.6 cm)
- 66 3/8 in (168.6 cm)
- 3/8 in thickness (1 cm)



UNITED STATES ONLY: It's necessary to protect the floor beneath the horizontal part of chimney connector extending 2 inch (5cm) beyond each side of the pipe. You can extend the floor protection panel while respecting the clearances of each side of stove.

Clearances chart on floor plate

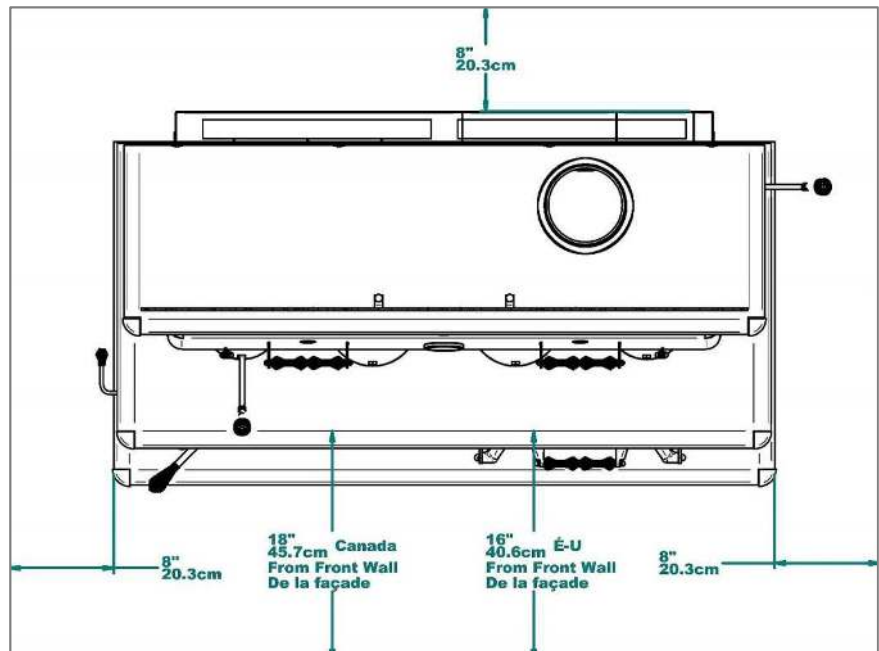
The following dimensions are the minimums values.

Canada :

- 8 inches (20.3 cm) rear
- 8 inches (20.3 cm) side
- 18 inches (45.7 cm) loading door

USA :

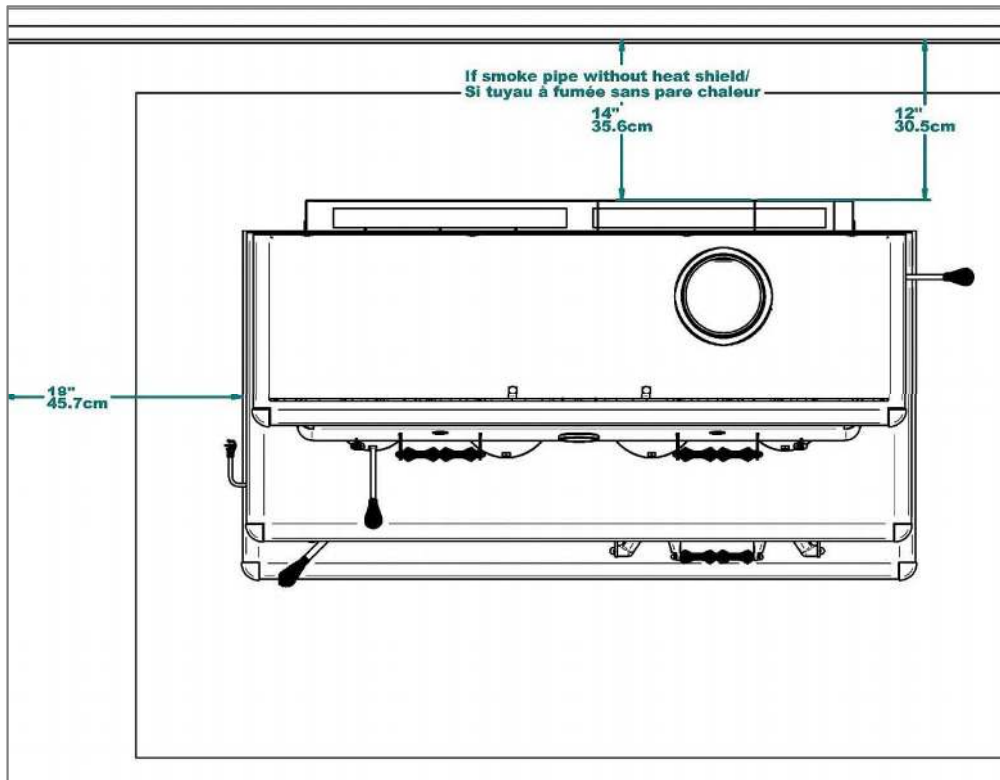
- 8 inches (20.3 cm) rear
- 8 inches (20.3 cm) side
- 16 inches (40.6 cm) loading door



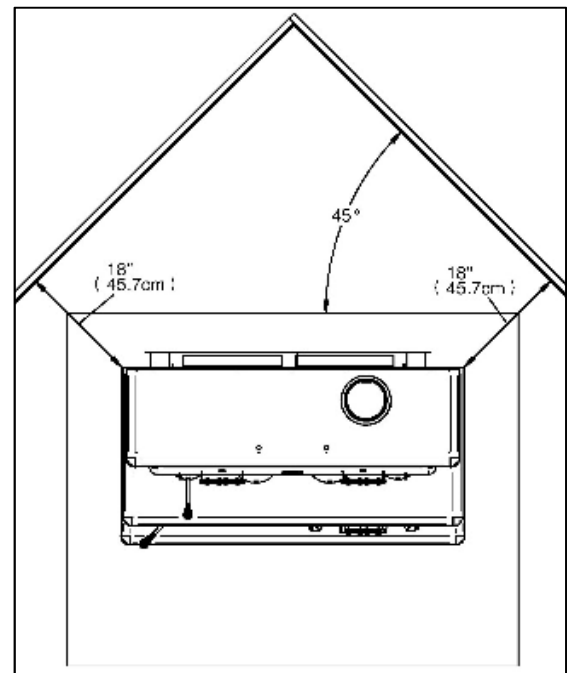
Minimum clearances to combustible material

This appliance needs a minimum space because of these reduced clearances. Whether in the living room or the dining room, the *CUISINIÈRE SE* cook stove will match perfectly by its originality and heating. It requires a **MINIMUM** clearance of 12 inches at the back (for a single pipe with a heat shield) and an 18 inch **MINIMUM** clearance on each side.

- In case of a single pipe without heat shield, you must keep *CUISINIÈRE SE* cook stove 18 inches away from all combustible material so that the **MINIMUM** clearance at the back of the stove will be 16¼ inches (41.3cm).



- For a 45° corner installation, or other corner installation, the minimum clearance between the cook stove and combustible material must be 18 inches.



Assembly before installation

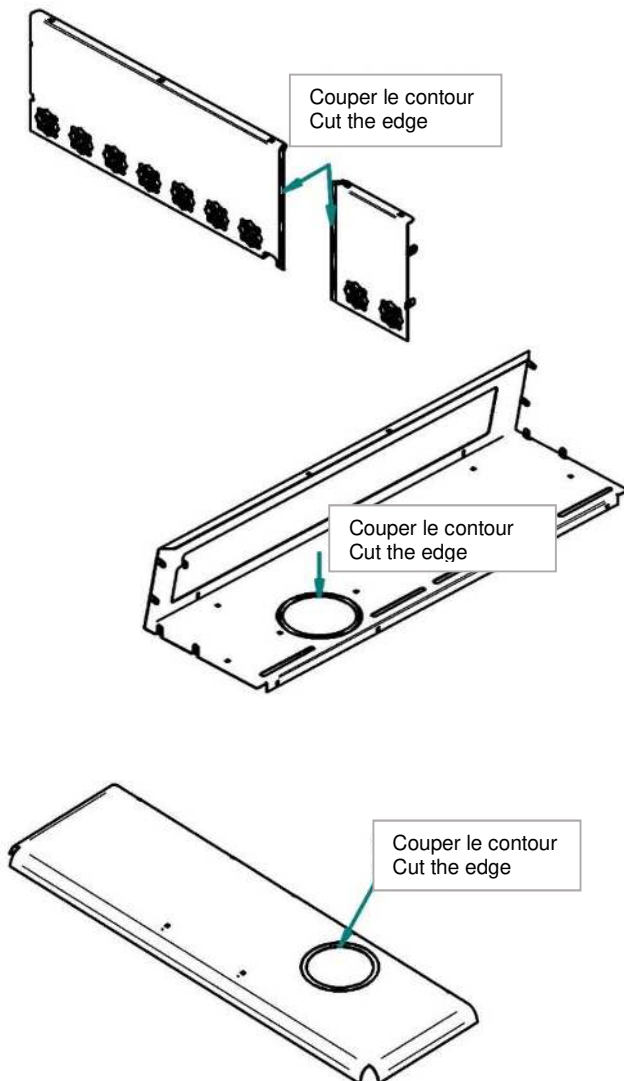
The stove leg and the warming oven top might not be assembled in the factory, in order to save space for transportation and storage. You must therefore assemble these parts before installing the cook stove.

Warming oven top Assembly

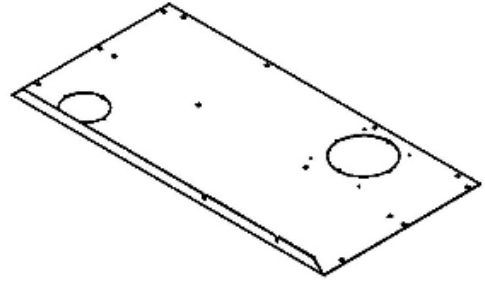
At this moment, you need to know which type of smoke pipe you are installing: a single pipe or a double pipe.

For the single pipe, it is not necessary to remove the pre-cut metal part.

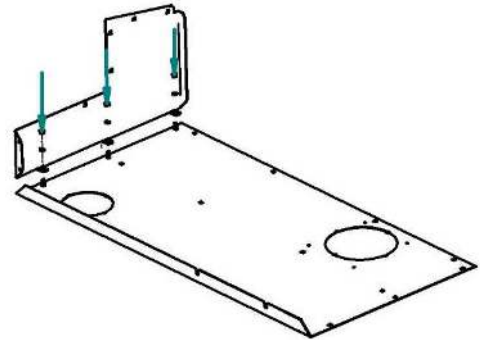
For the double pipe, you must remove the pre-cut metal part on the top, inside and in front of the warmer, see pictures below.



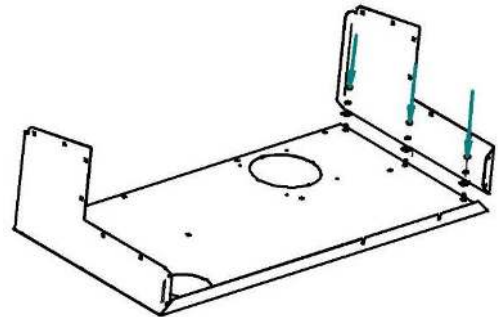
- 1) Place the backside on the product package to protect the painted part.



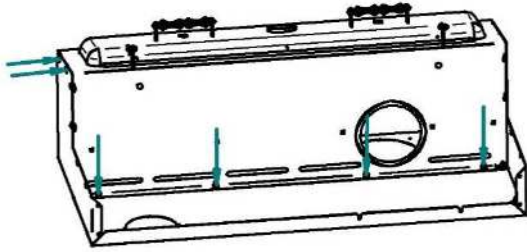
- 2) Fix the left side.



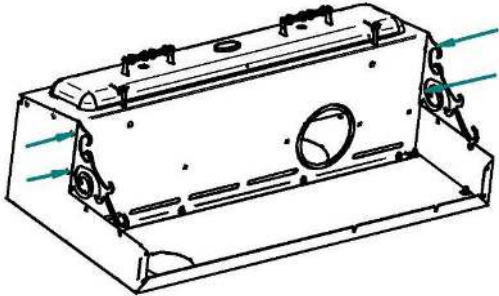
- 3) Fix the right side.



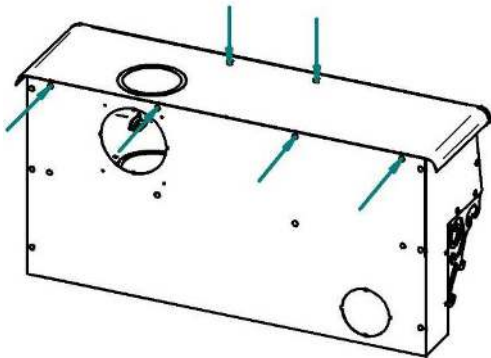
- 4) Attach the front part (with the door) to the two sides and the back. Keep the horizontal holes for the chrome decoration.



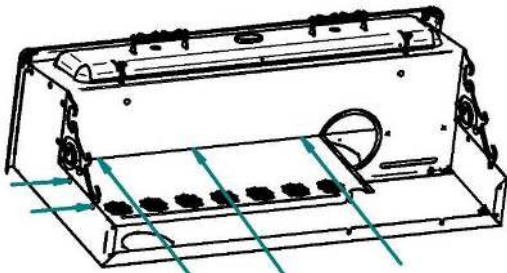
- 5) Insert the chrome decorations in the holes and fix them with carriage bolt and nut (2 bolts each).



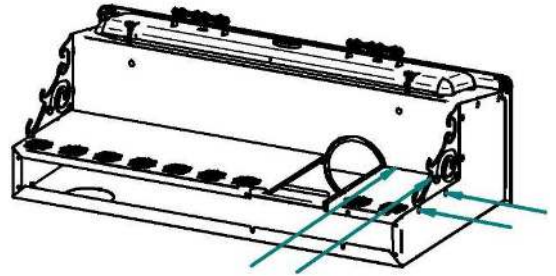
- 6) Fix the top with the back and the front. Do not fix the chrome head now.



- 7) Insert the left decorative panel and attach it to the left chrome decoration.

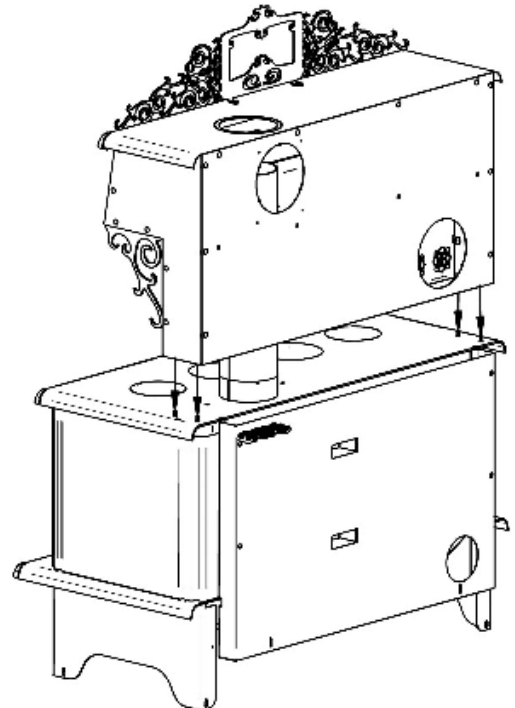
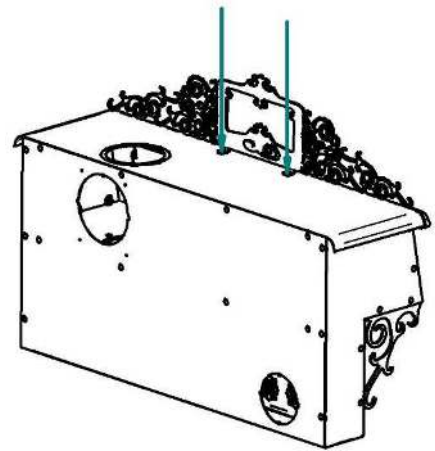


- 8) Fix the right decorative panel and attach it to the right chrome decoration.



- 9) Remove the side panels of the cook stove.

- 10) Put and fix the warmer with the 4 nuts of each side to the cook stove. 4 bolt



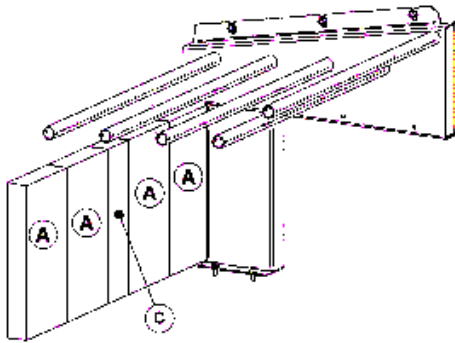
- 11) Fix the 2 carriage bolts at the front through the chimney hole or the round cook opening.

- 12) Remove the screw on top and install the decorative head.

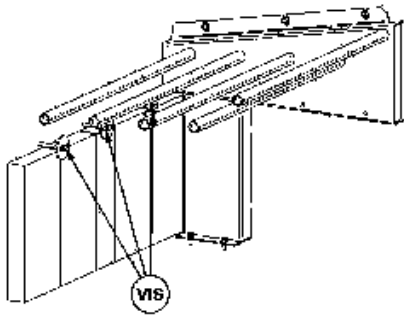
Firebricks installation

Back firebricks installation

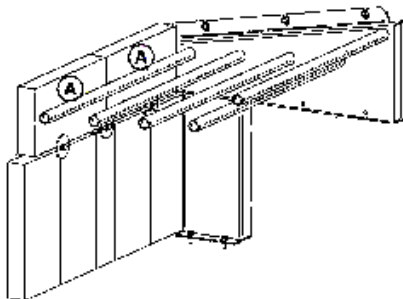
1) Place 4 bricks «A» and 1 brick «C» in the middle.



2) Set the 3 big screws in the holes for this purpose. Do not tighten up these screws too much, so that washers will be easily installed.



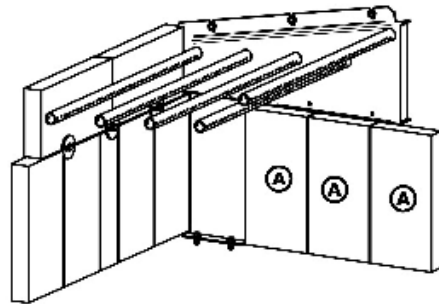
3) Add two bricks «A» horizontally on the 5 bricks.



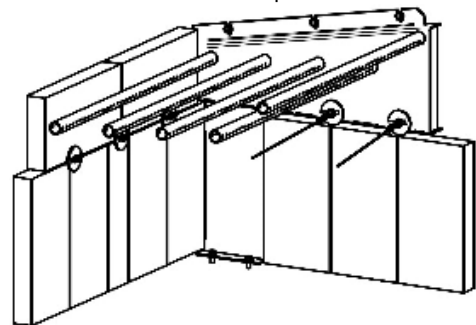
4) Tighten the 3 screws.

Side firebricks installation

1) Put 3 bricks «A» on the right hand.



2) Place 2 screws and insert split washers.

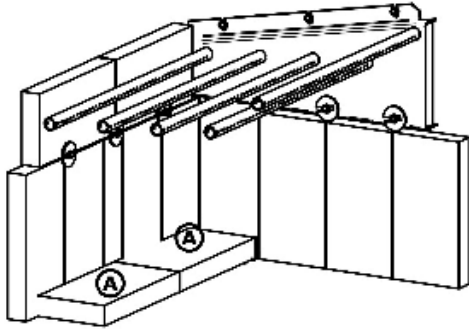


3) Tighten the screws.

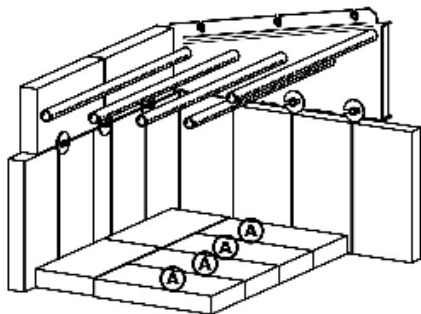
4) Repeat the same 3 steps to make the other side.

Floor firebricks installation

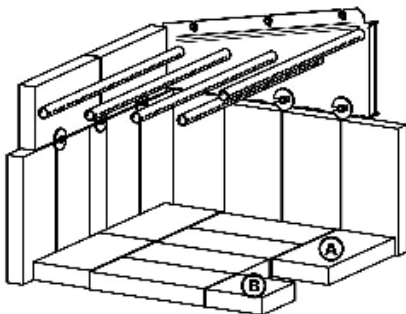
5) Place 2 bricks «A» in the bottom as shown in the picture.



6) After, insert 4 bricks «A» in front of the 2 bricks previously installed.



7) Insert 1 brick «A» on the right of the ash dump plug.
8) Insert 1 brick «B» on the left of the ash dump plug.



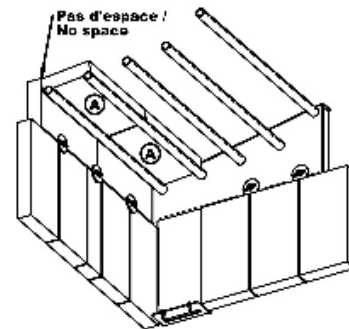
Firebricks installation on the pipes

The firebricks must be placed on the 4 pipes from the bottom of combustion chamber. Bricks keep a maximum heat inside the combustion chamber so that the air coming from the pipes could burn the entire gas coming out from wood, which is combustible only in this way

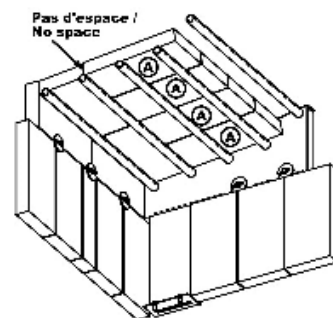
The rockwool over the brick can prevent considerable leakage between the bricks and keep a maximum heat inside combustion chamber. It must cover up all the bricks and the each side of top of the air corridor.

IMPORTANT: The rockwool must not obstruct the smoke exit. Verify from the holes on the collar of the chimney to make sure that it is in the right position. Then, place 2 stainless half round plate as shown in the picture.

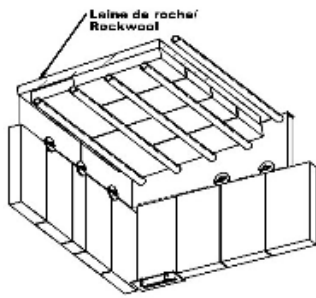
- 1) Place 2 bricks « A » over the two top pipes so that they can be aligned lengthwise. Make sure that they are hold properly on the bricks placed vertically at the back of the combustible chamber and there is no space between these bricks.



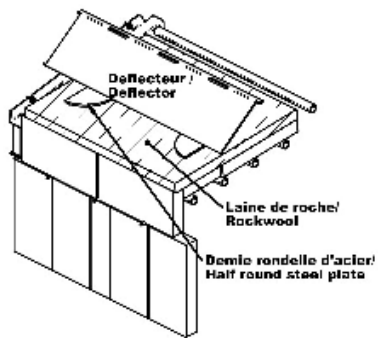
- 2) Place 4 bricks « A » over the two front pipes. It must be placed as shown in the picture below. Be sure to leave no space in between the bricks previously placed.



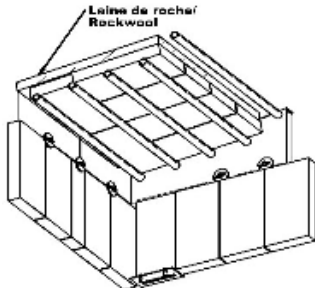
- Put the rockwool over the bricks and verify from the holes on the collar of the chimney to make sure the smoke exit is not obstructed.



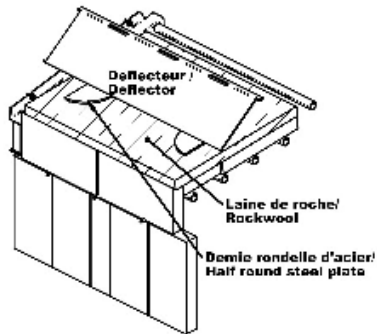
- Place two stainless half round plate over the rockwool by the rear deflector already in place.



- 5) Place 4 bricks « A » over the two front pipes. It must be placed as shown in the picture below. Be sure to leave no space in between the bricks previously placed.
- 6) Put the rockwool over the bricks and verify from the holes on the collar of the chimney to make sure the smoke exit is not obstructed.



- 7) Place two stainless half round plate over the rockwool by the rear deflector already in place.



General steps of stove installation

- 1) Read the entire installation manual before installing and using your stove.
- 2) Choose a place to install your cook stove. Read the sections about dimensions of floor protection panel, localisation of stove over the floor protection panel, and clearance to combustible materials. Once you have decided where to install the stove, mark the center of chimney on the floor.
 - To make sure the vertical center of the chimney, use a plumb line to mark on the floor.
- 3) Check if it is possible to pass chimney without damaging the structure of your house. You might have to move the location of the stove while keeping the minimum clearance. If you have to cut a joist, be sure to respect the building code in effect to keep the structural integrity of your house.

Note: This appliance have to be connected to:

 - A type HT chimney of 6 inch diameter (15.24 cm) listed to UL-103 or ULC-S629.
 - A conforming masonry chimney of 6 inch diameter (15.24cm) with qualified internal lining
- 4) Install the chimney following the manufacturer instructions.
- 5) Put the stove on the floor aligned vertically with the center of chimney, and trace the 4 sides of the stove vertically on the floor. Please remove the stove.

- 6) Mark the dimensions of protection panel on the floor. The edge clearance of the sides and the back is 8 inches (20.3 cm). At the front, it must be 16 inches (40.6 cm) in US and 18 inches (45 cm) in Canada, measured from the front door.
- 7) Install the floor protection panel according to the mark (It must be non-combustible).
- 8) Put the stove on the protection floor panel. Respect the edge clearance that you have set at step 6 and the centre of the chimney as well. We recommend to fix the stove to the floor with bolt in the slots in the stove legs made for this purpose. If you have a pedestal, use the holes made for this purpose.
- 9) If you have an outside air inlet you must use 4 inches (10.16 cm) flexible aluminum pipe. The pipe must be sealed with thermal resistant sealant.
- 10) Install the chimney connector from the stove. The pipe must be attached with at least 2 screws, to the collars of the stove and the chimney, also each joint of connection.

Note:

- The single or double wall chimney connector must be 6 inch diameter (15,25 cm) and have a minimum thickness of 24 gauge (0.025 inches 0.64 mm)
- Do not use galvanised steel chimney connector.

Chimney connector installation

The chimney connector is a set of single or double wall flue pipes and elbow installed between the stove collar and the chimney collar. Components of single wall chimney connector are available at any hardware store and there is no precise standard or regulation. However, some rules must be followed to install solid fuel burning equipment.

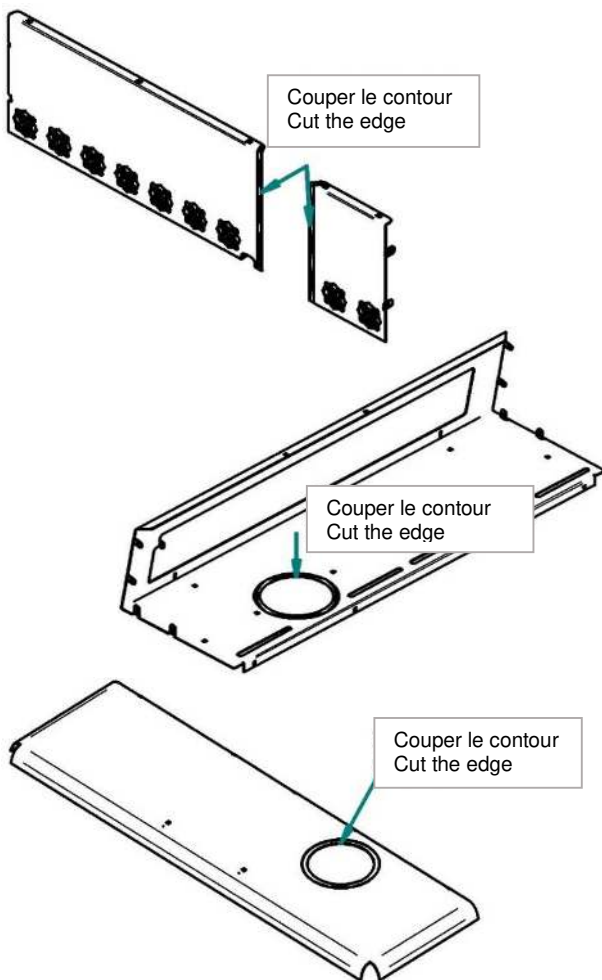
- **Double wall chimney connector**

Your J.A. Roby *CUISINIÈRE SE* cook stove was approved for the use of a single wall chimney connector with heat shield, but it is possible to install a 6 inch (15.2 cm) double wall certified chimney connector. In this case, you must detach the pre-cut pieces of the top, the bottom and each side of warming oven, in order to make holes for double wall chimney connector.

- We recommend to detach the removable pieces before assembling the cook stove warmer.

ATTENTION:

- For the clearance between combustible materials and double wall chimney connector, see manufacturer manual.



- **Single wall chimney connector**

For the single wall chimney connector, you must use the connector of 6 inch diameter with a minimum thickness of 24 gauge (0.025 inches 0.64 mm). For the section coming out of the warming oven, install a metal heat shield, covering the straight and curving sections with 1 inch (25.4 mm) thick.

ATTENTION:

- If you don't have heat shield, you must keep the cook stove away in order to maintain the distance of 18 inches or more from combustible materials.
- Any horizontal section must be sloping upwards 1/4 inches (6.35 mm) by feet (30 cm) toward the chimney collar. This section should not exceed 36 inches (91,4 cm).
- The clearance between the roof and the single wall chimney connector must be 18 inches (45.7 cm) or more.
- Regarding the clearance between the roof and the double wall chimney connector, follow the manufacturer indication

1. Assembly of connecting parts

Make a brief installation of all sections and elbows (if necessary) to ensure that you respect the clearances and inclinations of the horizontal sections. You must also verify if you have all the necessary parts for final installation.

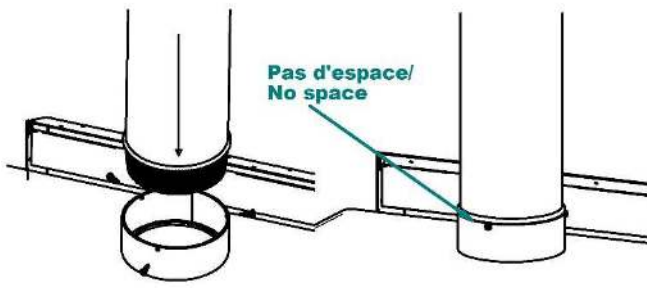
- For direct vertical installation, you will need:
 - 1 x vertical section of 24 inches (61 cm) or more
 - 1 x adequate length of telescopic chimney part allowing you to connect the last chimney connector section to the chimney collar.

Note: For higher roof, more parts might be needed.
- For horizontal installation, you will need
 - 1 x vertical section of 24 inches (61 cm) or more
 - 1 x 90° elbow
 - 1 x adequate length of telescopic chimney part

Note: For better performance, two 45 degree elbows with or without straight section in between are preferable.

- 2.** Disassemble the whole thing and start screwing the pieces from the stove to the roof chimney collar.

3. Insert entirely the roll formed end into the stove collar and screwing it with a minimum of 3 screws.



WARNING: It is mandatory to attach the pipe to the stove collar and also at each joint with at least of 3 screws.

4. Install all the next section up to the chimney support collar and be sure to attach all parts with at least 3 screws.

DO NOT CONNECT THIS APPLIANCE TO A CHIMNEY SERVING ANOTHER APPLIANCE.

CONNECTOR PIPES SHOULD NEVER GO ACROSS A CEILING, A WALL, A CLOSET, AN ATTIC OR OTHER ENCLOSED AREA THAT COULD CAUSE HEAT BUILDUP. IF YOU NEED TO PASS THROUGH COMBUSTIBLE MATERIAL, MAKE SURE THAT YOUR

INSTALLATION COMPLIES WITH CAN / CSA-B365.

Installation in a mobile home

DO NOT INSTALL THIS APPLIANCE IN A MOBILE HOME.

General steps of chimney installation

Use only approved chimneys of the same size as the output of the appliance, which means 6 inches in the case of *CUISINIÈRE SE*. The chimneys must be tested according to CAN/ULC-S629-M87 in Canada and to UL-103 (type HT) In USA. The *CUISINIÈRE SE* can be installed with a masonry chimney according to ULC-S635, ULC-S640 and UL-1777. The masonry chimney must be equipped with a stainless steel sleeve and meet the standards for the masonry chimney with inner sleeve.

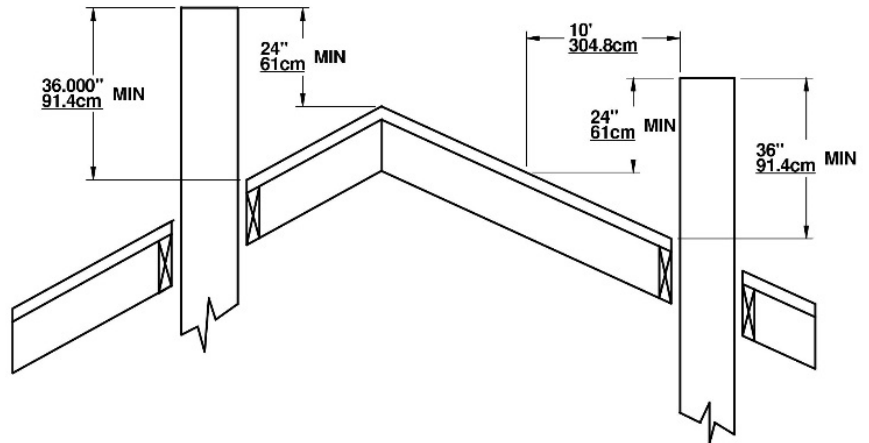
Provide a place for sweeping.

It is preferable, if possible, to avoid a chimney built outside of a house and on an exterior wall, especially in cold regions. Outside chimneys generally have a less efficient draft. They can even have down draft since it is hard to heat them enough so that they can reach their operating temperature. Cold chimneys have tendencies of greater accumulation of creosote, less efficient draft and worse efficiency. Draft is proportional to the total chimney height as well as its temperature. It is therefore possible to get better draft by increasing the chimney's height and by reducing the heat loss with insulated lining. Make sure that all pipe joints are really airtight. A leak reduces the efficiency of the appliance and could even make its usage dangerous.

Note: This is a general chimney installation method. Be sure to refer to the manufacturer's manual for more details of installation of your chimney.

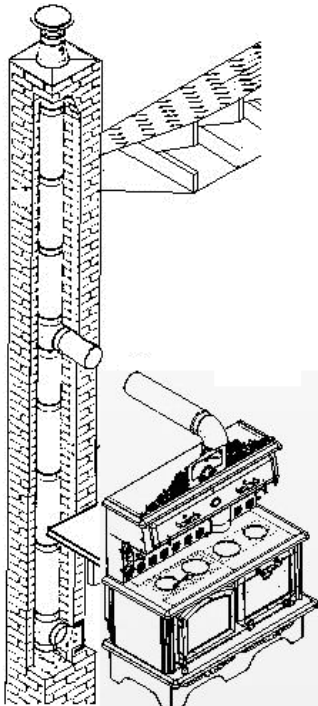
- 1) Determine the total length necessary for your chimney.
- 2) Make holes into all floors and roof.
- 3) If you need to cut a joist, be sure to strengthen the adjacent joists and frame the hole respecting the minimum dimensions between combustible materials and the fireguard. Follow the manufacturer's instructions supplied with the fireguard. **Never cut a loadbearing joist/beam.**
- 4) Frame the holes in each level and attic respecting the minimum distance recommended by the manufacturer of your chimney. Install fireguard in each level.
- 5) Frame the hole into the roof.
- 6) Install a chimney support and a fireguard in the ceiling where cook stove is installed.

- 7) Stack the prefabricated chimney sections on the support and exceed the roof.
 - The chimney must exceed at least 3 feet (91.4 cm) from the highest point of the hole in the roof.
 - The chimney must also be at least 2 feet over the highest point on the roof inside 10 feet (304 cm) radius around the chimney.
 - The minimum length of chimney is 12 feet (365.8 cm).
 - **ATTENTION: Be sure the chimney parts are attached properly and lock onto the chimney support.**
 - **Note: A chimney longer than the minimum required can add more draft and help the operation of the cook stove. Try the minimum length first then add section if you need more draft.**
- 8) Put the roof flashing over the chimney and seal it with roof caulking.
- 9) Nail the roof flashing.
- 10) Slide the storm collar over the chimney and fix it. Seal it with high temperature caulking.
- 11) Lock the chimney cap and install the spark arrestor if necessary.



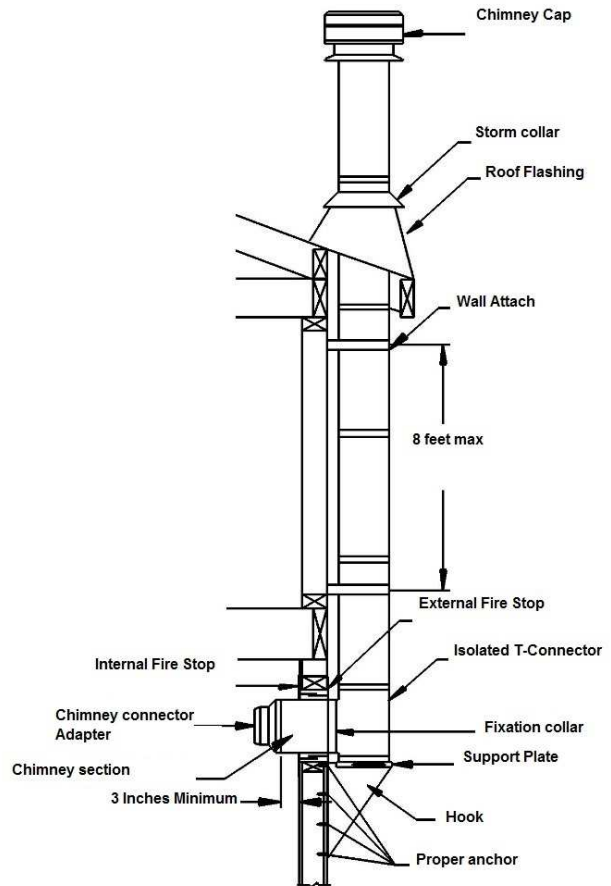
Vertical Installation Inside Masonry Chimney

The *CUISINIÈRE SE* cook stove must be installed in accordance with the applicable local laws or the standards such as ULC-S635, ULC-S640, and NFPA 211 (USA). Follow the chimney manufacturer's instructions to install the chimney.



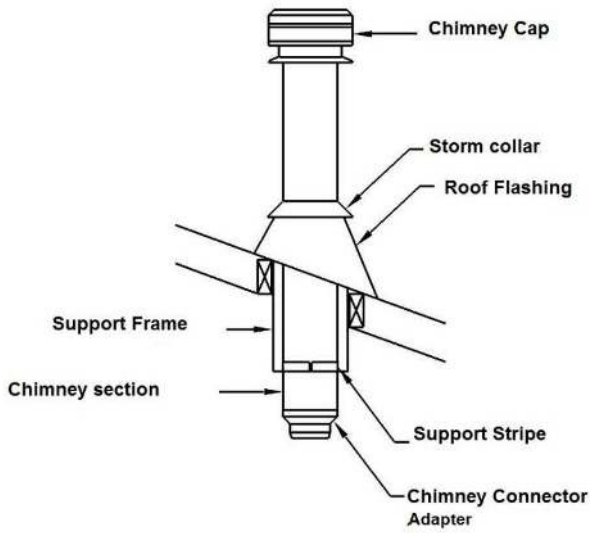
Outside Vertical Installation

The *CUISINIÈRE SE* cook stove must be installed in accordance with the applicable local laws or the standards such as CAN/CSA-B365, NFPA 211 (USA). Follow the chimney manufacturer's instructions to install the chimney.



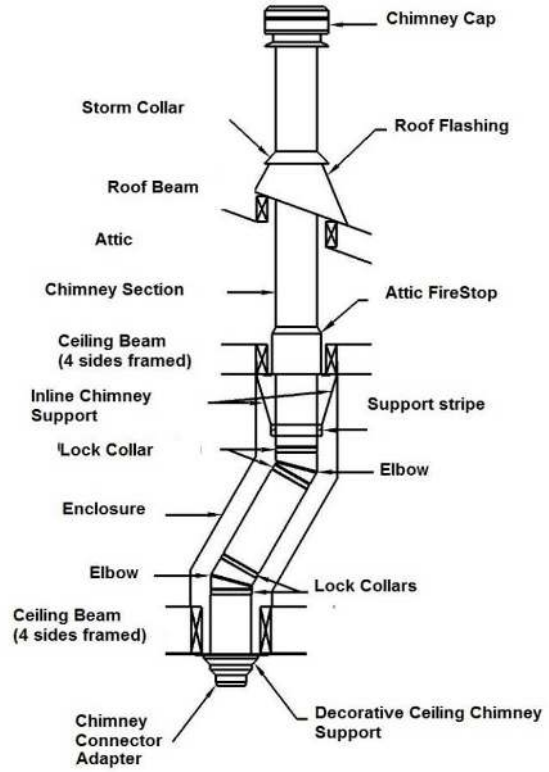
Vertical Installation on Cathedral Roof

The *CUISINIERE SE* cook stove must be installed in accordance with the applicable local laws or the CAN/CSA-B365, NFPA 211 (USA). Follow the chimney manufacturer's instructions to install the chimney.



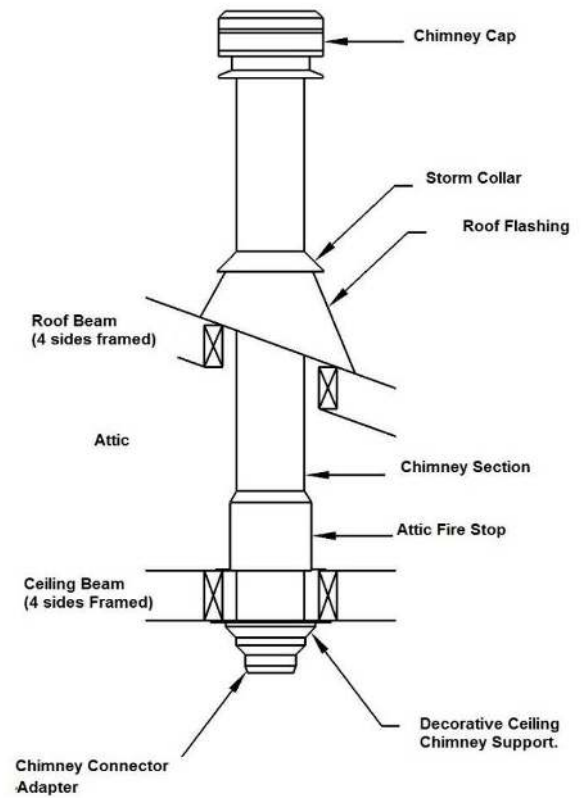
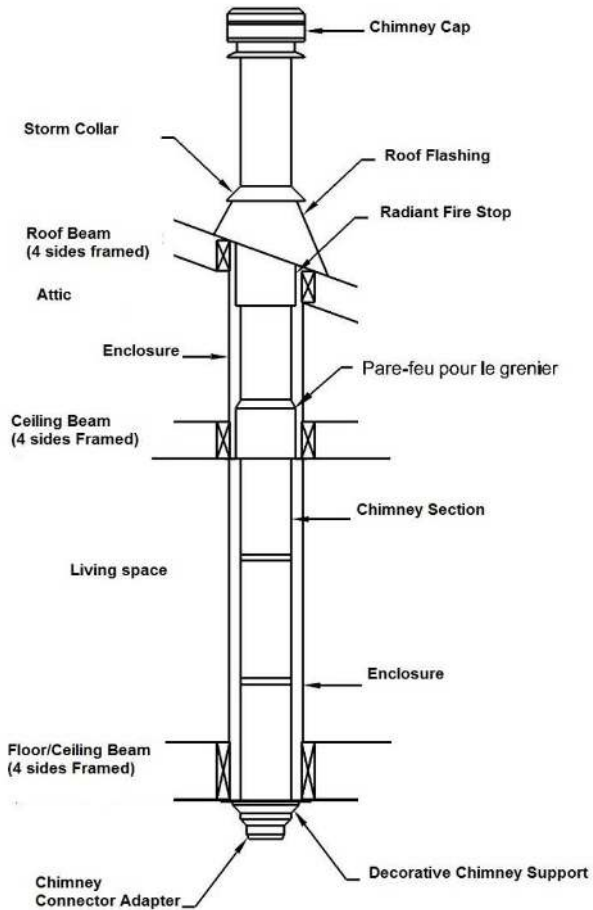
Offset Vertical Installation

The *CUISINIERE SE* cook stove must be installed in accordance with the applicable local laws or the CAN/CSA-B365, NFPA 211 (USA). Follow the chimney manufacturer's instructions to install the chimney.



Vertical Installation

The *CUISINIÈRE SE* cook stove must be installed in accordance with the applicable local laws or the CAN/CSA-B365, NFPA 211 (USA). Follow the chimney manufacturer's instructions to install the chimney.



Combustion air intake

In conventional designed homes, natural ventilation is enough to operate the wood stove efficiently.

Some houses are more airtight than others. If you do not have outdoor air intake system, it is necessary to open a window slightly in the room where you have your cook stove.

CUISINIÈRE IS NOT APPROVED FOR MOBILE HOME.

A mobile home on a foundation is considered as a conventional house.

Exterior Air Intake pipe

Cuisinière SE is not approved for mobile home. It is built, however, to receive an exterior air intake pipe. An air intake kit must be factory installed. We recommend to use a 4 inch (10.16 cm) aluminum flexible pipe, equipped with a weatherproof hood with screen.

For the usage of pipes made of other materials, they must be complied with ULC-S110 or UL-181 Class1, equipped with thermal resistant isolation and must be corrosion resistant.

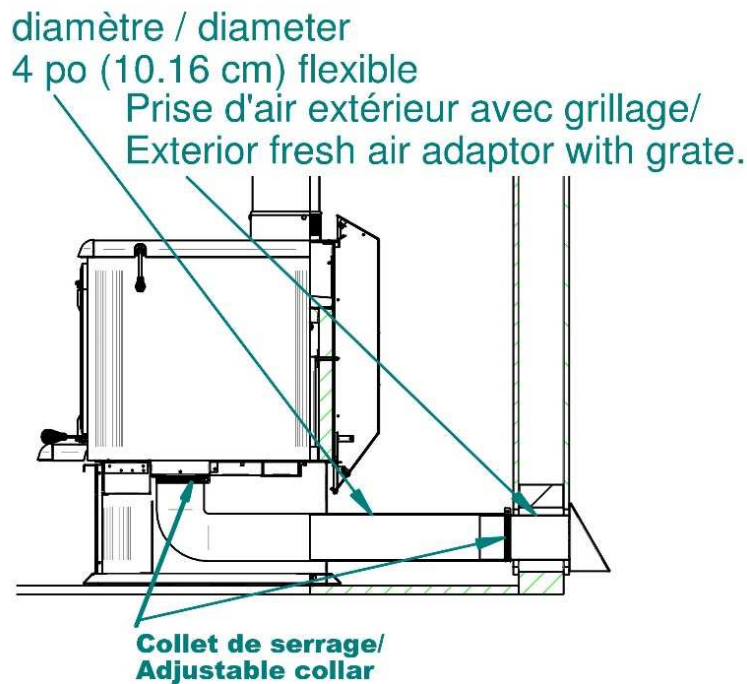
Installation of Air Intake Pipe

To install the exterior air intake pipe, fold the 3 legs of air inlet at the back of the stove. On the other side of the heat shield opening, insert the pipe into the hole and screw the pipe using the 3 holes in the tabs. Put a generous layer of high temperature latex caulking onto the joint to ensure the pipe is sealed.

Air Inlet Obstruction

If the fire in the stove goes out after closing the door, it's possible that the air inlet is obstructed by something. In summer, insects or animals can build a nest into the air inlet. In winter, snow can accumulate over the air inlet and obstruct it.

The valve of the air intake might be closed as well.



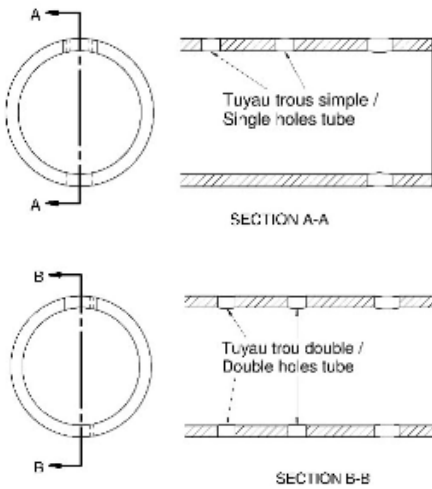
Replacement of stainless steel tubes

Although the tubes are in stainless steel, the tubes are eventually worn out and perforated with extreme temperature and conditions. You must replace the old pipes with new ones to ensure performance of your stove.

Installation of stainless steel tubes

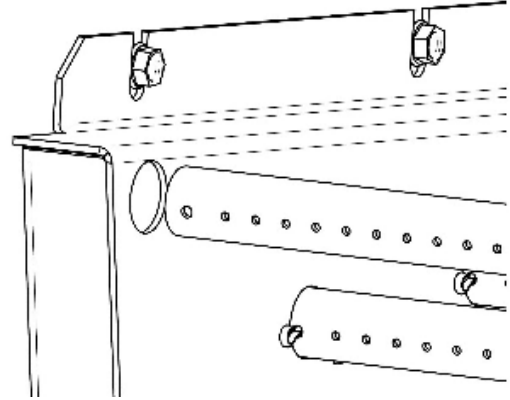
Two types of tubes are used in the stove. Three pipes at the bottom are single-sided perforated tubes, which have a line of holes on one side of the tube. The other two pipes at the front have holes on two sides.

To make sure of right direction of tube, you find a notch at one end of tubes. The holes on the air intake passage are made into corresponding shapes.

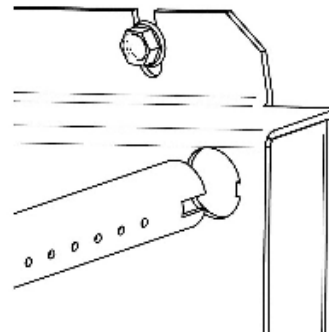


Step to install a tube

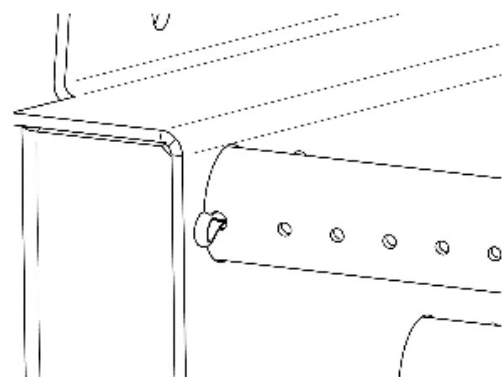
- 1) Insert the tube into the round hole on the air intake passage.



- 2) Align and insert the notch into the hole on the other side.



- 3) Push completely the notched end and insert the cotter pin into the last hole on the other side.



- 4) Split the cutter pin to lock it
- 5) Install the next tube.

To remove tubes, do steps in reverse order.

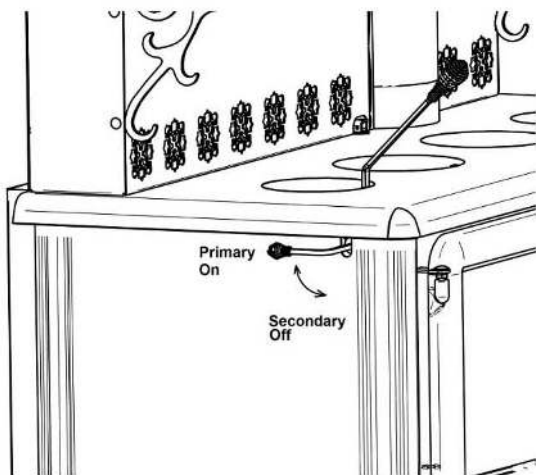
Operating Instructions

Control of primary and secondary air admission

When the handle on the left side of the stove is vertical, the air admission is only from the tube. This is what we called "Secondary air admission". When the handle is horizontal, the air admission is direct and from the top of the door opening, which we call "Primary air Admission".

Warning: Running your stove with the Primary air admission at the maximum for a long period of time, can damage the stove.

IT IS PROHIBITED TO MODIFY THE AIR ADMISSION TO OBTAIN HIGHER HEAT OR FOR ANY OTHER REASON.



Lightning fire

After installing correctly the stove following the installation instruction of the manufacturer, you are ready to light it.

- 1) Turn the admission handle to the horizontal position to set the primary air admission.
- 2) Be sure that all the covers of cooking holes are placed properly.
- 3) Set the deviation selector at the position "close".
- 4) Put paper and lightning wood into the combustion chamber and light them as you do normally.
- 5) Close the door partially leaving a slight opening. When chimney have enough heat buildup, close the door completely keeping the admission handle at the horizontal position. Wait for a good fire buildup.
- 6) Once you have an ember fire, it's time to add logs. Follow now the instruction section on how to keep a fire

DO NOT LOAD THE STOVE OVER THE UPPER BRICK ROW

You can control the combustion by turning up or down the handle. The wood will burn more rapidly when more primary air is set. Otherwise the wood burn more slowly and more efficiently with the handle set to secondary air. You can balance the primary and secondary air to have more heat for cooking.

NEVER LEAVE THE STOVE UNATTENDED WHEN THE DOOR IS SLIGHTLY OPEN. ALWAYS CLOSE THE DOOR AFTER LIGHTNING.

CAUTION: NEVER USE GAZOLINE, GAZOLINE TYPE LANTERN FUEL, KEROSEN, CHARCOAL LIGHTER FLUID, OR SIMILAR LIQUIDS TO START OR "FRESHEN UP" THE FIRE IN THIS HEATER. KEEP ALL SUCH LIQUIDS AWAY FROM THE HEATER WHILE IT IS IN USE. DO NOT BUILD THE FIRE NEAR THE FRONT GLASS.

First fire

For the first hours of operation, you must heat your appliance gradually. In order to allow an appropriate baking of the paint and to facilitate its adhesion with metal, do not heat the appliance with a strong fire. It will also avoid thermal shock which could lift up the paint or make the color fade. Make sure that the room is ventilated enough in order to eliminate the odor and the smoke coming from the paint. It is normal that a light smoke is released from the paint for the first time.

Even if this nuisance is temporary, open the windows and the doors in order to ensure a good ventilation. This special paint is conceived to tolerate temperatures until 1200°F (650°C).

Keeping a fire

To add firewood into the stove and keep a fire:

- 9) Turn the handle to horizontal position and wait a few second to let the fire adjust to the new condition.
- 10) Turn the handle to the first position and wait a few second to balance pressure to avoid smoke coming out from stove.
- 11) Put the handle at the full-open position and open the door half-open. Wait for the fire to get stable.
- 12) Open the door widely.
- 13) Move embers with poker near the door to supply oxygen and burn them completely
- 14) Add firewood over the ember keeping it away from the glass door to avoid flame touching the ceramic glass.

ATTENTION: DO NOT LOAD THE STOVE OVER THE LEVEL OF FIREBRICKS. DO NOT BUILD THE FIRE NEAR THE DOOR GLASS.

- 15) Close the door slightly and leave the wood burning.
- 16) Once the fire gets stable, close the door completely.
- 17) Adjust the air admission handle if necessary.

NEVER LEAVE THE STOVE UNATTENDED WHEN THE DOOR IS SLIGHTLY OPEN. ALWAYS CLOSE THE DOOR AFTER ADDING A LOAD.

CAUTION: NEVER USE GAZOLINE, GAZOLINE TYPE LANTERN FUEL, KEROSEN, CHARCOAL LIGHTER FLUID OR SIMILAR LIQUIDS TO START AND "FRESHEN UP" THE FIRE IN THIS HEATER. KEEP ALL SUCH LIQUIDS AWAY FROM THE HEATER WHILE IT IS IN USE.

Operation of cooking holes

Cooking holes have removable covers so that you can take them off and put skillets directly over the heat from the smoke. To take off the covers, you have to use the handle provided for this purpose. It is set in the storage hole at the right hand of the stove to keep it relatively cold.

To open a cooking hole:

- 1) Take the handle from its storage hole at the right of the stove.
- 2) Insert the end of the handle into the opening of the cooking hole cover.
- 3) Tilt the handle to the outside and lift up the opposite side of the cooking hole cover.
- 4) Lift the cover and place it by the hole.
- 5) Bring back the handle into the storage hole.
- 6) Put your cooking pan over the cooking hole to cover the entire hole.

To close the cooking hole:

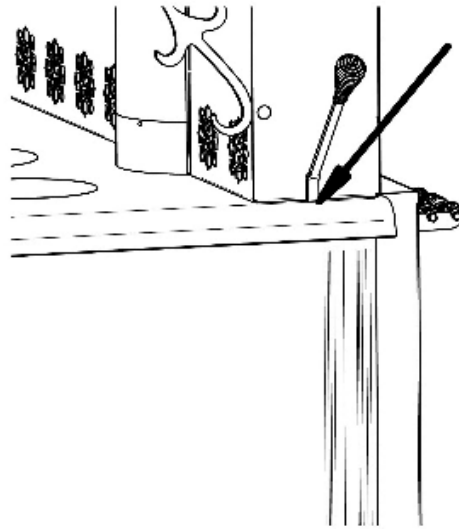
- 1) Take the cooking hole handle from the storage hole and insert the end of the handle into the opening of the cooking hole plate.
- 2) Bring back the cover to the cooking hole.
- 3) Put back the handle in the storage hole.

WARNING:

- **DO NOT SUPPLY WOOD TO FIRE FROM THE COOKING HOLE.**
- **THE COOKING HOLE COVERS MUST BE IN PLACE AT THE MOMENT OF LIGHTNING AND AS LONG AS THE CHIMNEY IS COLD.**
- **IF THE COOKING HOLE PLATES ARE HOT, LEAVE THEM ON THE SURFACE OF THE STOVE.**
- **TO AVOID SKIN BURN, NEVER LEAVE THE COOKING HOLE HANDLE ON THE STOVE AND STORE IT IN THE STORAGE HOLE.**
- **AVOID USING NON-STICK COOKWARE DIRECTLY OVER THE COMBUSTION CHAMBER. THEY ARE NOT RESISTANT TO THE EXTREME HEAT FROM THE COMBUSTION CHAMBER AND THEY CAN BE DAMAGED.**

Storage of the cooking hole handle

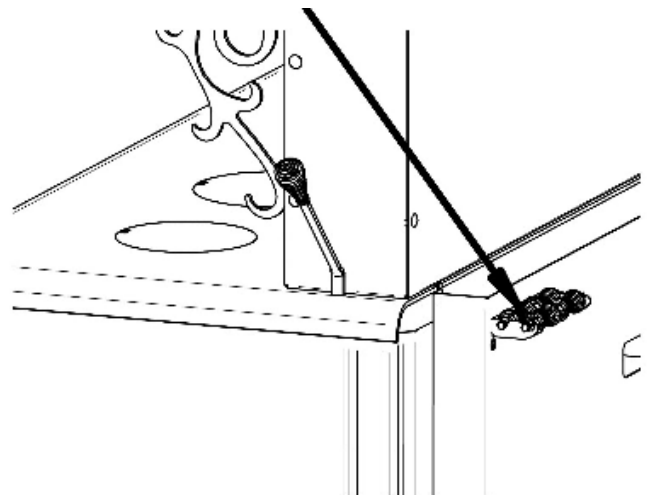
Cooking holes handle is set into the storage hole at the right part of the stove to keep it relatively cold.



Storage of warming oven handle

The spring handles of warming oven are removable. You must store them on the holder at the right back of the cook stove. If you leave them on the oven cover, you have to use insulated mitts to hold them. Preferably, use the cooking hole handle to open and close the warming oven.

ATTENTION: Risk of burns if you touch directly the handles of warming oven.



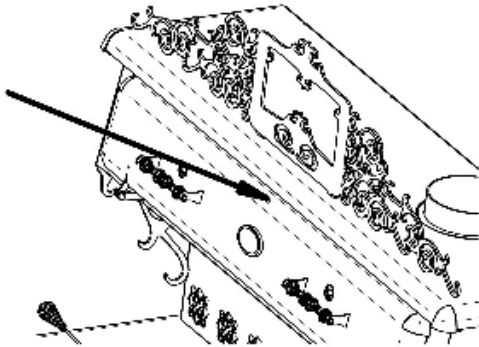
Opening and closing of warming oven

The spring handles of warming oven are decorative purpose only. When the cook stove is hot, it is strongly recommended to use the cooking hole handle. There is an opening made for this purpose at the top of the warming oven door.

To operate the spring handle of warming oven, use isolated mitts.

WARNING:

- **WHEN THE COOK STOVE IS HOT, THE SPRING HANDLE ON THE WARMER MAY CAUSE SKIN BURN.**



Usage of oven for cooking

The CUISINIERE SE cook stove can cook food in the oven part. The heat is transferred from the wall between the stove and the oven. To accelerate the heating, there is a deviation valve right by the chimney collar which allows smoke to warm up the back and the top of the oven.

When the handle is at the open position, the smoke goes directly towards the chimney. When at the closed position, the smoke goes at the back and at the bottom of the oven.

To open and close the valve, use the cooking hole handle.

There is a thermometer installed on the glass to see the temperature of the oven.

Wood storage

Keep wood 36 inch (91cm) away from the cook stove.

NEVER STORE WOOD UNDER THE COOK STOVE.

Maintenance

Ash Removal

The wood burning make some residual called ash and it must be removed from the combustion chamber to help oxygen circulation.

The ash has to be removed periodically every 2 or 3 days during heavy warming period. Never leave excessive accumulation into the combustion chamber because it can reduce performances of your stove by limiting the air circulation between logs.

The best time to remove ash is after a long warming period, as in a morning, when the stove is relatively cold enough to manipulate ash and the chimney is still hot. The hot chimney draft will vacuum the dust inside the stove.

To remove ash from the combustion chamber, you must have the following tools:

- Ash shovel,
- Ash brush,
- A metal bucket with airtight lid.

Some embers are mixed with ash and remain lit a few hours or even a few days. It is therefore very important that the metal bucket has an airtight lid. The bucket must be put on a non-combustible tile or brick.

The stove is equipped with an ash drawer and it is closed by a cast plug with a glass fiber cord. The plug is in the combustion chamber between two bricks at the front of the stove.

- 1) Remove as much ash as you can with the shovel and put it into the metal bucket.
- 2) Remove embers and ash covering the plug with the ash brush.
- 3) Turn clockwise the plug and pull it.

Warning: The plug stays very hot right after the extinction of fire. Use fireproof mitt or pliers to turn and pull the plug.

- 4) Push embers and ash into the ash drawer. **Do not overcharged the ash drawer.**
- 5) Empty the ash drawer into the Metal bucket. **Never leave ash and embers into the ash drawer.** Some embers can be lit and make smoke.
- 6) Clean around the plug to be sure the plug will be airtight.
- 7) Reinstall the plug by pushing it into the hole and turn counter clockwise to lock it in place and be sure it is airtight.

A plug leakage can let in oxygen and reduce the combustion time. Please inspect the plug seal and change it if it is damaged.

Ash Disposal

Some embers are mixed with ash and can remain lit. If embers have enough oxygen, it can stay lit some hours and even some few days.

It's therefore mandatory to store ash:

- In a hermetic metal container with an airtight lid,
- Outside the house on a non-combustible material,
- Far enough any combustible material, inflammable liquid and vapor.

If the ash is disposed of by burial in soil or otherwise locally dispersed, they should be retained in the closed container until all cinders have thoroughly cooled.

NEVER PUT WASTE INTO THE ASH CONTAINER.

Creosote Formation

When wood is burning slowly, it produces tar and other organic vapors which are combined with expelled moisture to form creosote. The creosote vapor is condensed in the cold chimney and, as a result, creosote residue accumulates on the flue lining. When it burns, the creosote releases intense heat and it might result in a chimney fire.

The chimney connector and chimney should be inspected at least once every two months during the heating season to determine if a creosote buildup has occurred.

Chimney Inspection

Wood moisture, wood species and the combustion quality are the factors that can influence the speed of creosote buildup into chimney and chimney connector.

The chimney and the chimney connector must be inspected at least one every two month during the warming season. You can call a Chimney sweeper to evaluate the creosote formation or you can do it yourself. Extinguish the wood stove and wait until it gets cool. Then unscrew the chimney connector to verify it. Inspect the factory build chimney with a spot light to see if a creosote buildup has occurred. For a masonry chimney, insert a mirror in the cleanout opening at the bottom. For an outdoor factory build chimney, open the cap at the bottom of chimney to inspect inside. It is preferable to do the inspection on a sunny day so that you would have enough light.

With creosote buildup of 1/8 inch (3 mm) or more, the diameter looks so smaller that you cannot see the chimney cap. It's a sign that is time to sweep your chimney and remove creosote in order to avoid a chimney fire.

Chimney Sweeping

Chimney Sweeping needs special tools like some glass fiber rods and a suitable brush to the chimney's diameter.

It also requires to go up on the roof to remove the chimney cap and even a part of the chimney in case that your chimney exceeds 5 feet from the roof.

We recommend to call a Professional chimney Sweeper certified by APC in Quebec, the WETT in the rest of Canada or by NFI in United States.

Door maintenance

The door is the mobile element that need a special attention. Its tightness is primordial. If you see the white soot sticking on the door glass and on the surface where the air passes, it is the time to change the braided glass fibre rope.

Air Tighten Adjustment

If the braided glass fiber rope still seems good enough but little flatten, it needs probably to be stuck against the door.

Door adjustment (hinges side)

Important: To keep squareness of the door, keep the door locked and loosen only one hinge at a time.

- 1) Loosen lightly upper hinge
- 2) Push the door against the stove so that the glass fibre rope is flattened.
- 3) Keeping the door pressed against the stove, tighten the upper hinge.
- 4) Loosen lightly lower hinge.
- 5) Push the door against the stove so that the glass fibre rope is flattened.
- 6) Keeping the door pressed against the stove, tighten the lower hinge.
- 7) Open the door and slide a piece of paper in the gap in the door, then close the door.
- 8) If you can easily pull out the paper without tearing, please repeat the previous steps.
- 9) Even after several attempts, if the paper comes off easily, the braided glass fiber rope must be changed.

Door adjustment (right side)

You can do this adjustment with the screw under the door near the hook hole.

- 1) Unlock and open the door.
- 2) With a square-headed screwdriver, turn clockwise the adjustment screw a quarter turn.
- 3) Put a piece of paper between the stove and braided glass fiber rope, then close and lock the door.
- 4) If the paper easily comes out when you pull it, repeat step 1 to 3 again.
- 5) If the screw is completely tightened and the paper comes out easily, you have to change the braided glass fiber rope.

Some models might have two screws apart on the front face. These must not be unscrewed in any case. They hold the rolling mechanism to lock the door.

Cleaning up glass

To clean the door glass, J.A. Roby Inc. recommends using products for this purpose or an oven cleaner only for glass part.

- Avoid cleaning hot glass and cleaning with abrasive. Cleaning hot glass can cause a thermal shock and brake the glass.

Disassembly and reassembly of door

Do not unscrew the lower hinge when disassemble the door.

- 1) Keep the door locked.
- 2) Loosen the upper hinge without removing the nut.
- 3) Unlock the door and open it while holding it.
- 4) Tilt the door slowly downward to remove the upper hinge
- 5) Lift the door and remove the lower hinge.

Installing the door

- 1) Insert the bottom hinge and bring up the door. Place the nail in the upper hinge.
- 2) Close and lock the door, then make sure the door is placed horizontally.
- 3) Tighten the upper hinge and align the washer with the hinge support.
- 4) Carry out the air tighten adjustment.

Replacing broken glass

DO NOT HIT THE GLASS TO AVOID BREAKING IT

- **Do not pour water. It might cause thermal shock.**
- **Do not slam the door.**
- **Do not build fire too close the door.**

WARNING: NEVER USE THE STOVE WHEN THE GLASS IS BROKEN OR CRACKED

Replace only with a 4 mm ceramic glass with the right shape. Contact your retailer to get the replacement glass panel.

DO NOT USE SUBSTITUTE

Steps to replace glass

- 1) Loosen partially the screws retaining the four glass supports.
- 2) Remove the broken pieces of glass and clean the door.
- 3) There must be a flat glass fibre rope for airtightness around the glass. You have to install new one in case of loss or damage. The flat glass fiber rope is self-adhesive. Stick it around the glass without pressing it excessively.
- 4) Install the new glass panel and replace the lower support first and gently tighten screw. If you tighten it too much, it might make a pressure point and break the glass when it becomes hot. Then press gently the glass fibre rope against the door.
- 5) Install the upper support and tighten the screws gently but not too tight.
- 6) Check all the screws

If it is impossible to replace the glass in vertical position, you may have to remove the door. Refer to the section concerned in this manual.

Replacing glass fiber rope

When the braided glass fibre rope is all flattened out, it becomes impossible to close the door hermetically. This means that the glass fibre rope is no longer usable or that the rope is damaged. You must therefore replace it.

Use a ½ inch (12.7mm) braided glass fiber rope.

It is preferable to detach the door from the stove when you replace the rope. Refer to the section concerned in this manual.

Glass fiber rope preparation

- 1) Take the end of the glass fiber rope and tuck fiber inside to make a clean end.
- 2) Put little amount of high temperature sealant, such as latex or silicone, at the end of the fiber glass rope so that it won't come loose.
- 3) Remove old glass fiber rope from the door and clean the groove.
- 4) Starting from the lower corner near the hinge, put the glass fiber rope into the groove without giving any tension. Verify the length of rope.
- 5) Cut it ½ inches over the require length and repeat step 1 and 2.

Glass fiber rope installation

- 1) Put a high temperature sealant in the clean groove to glue the glass fiber rope.
- 2) Place glass fiber rope into the groove starting from the lower corner near the hinge without giving any tension
- 3) Glue the two glass fiber rope ends with high-temperature sealant to make a right angle.
- 4) Let dry the sealant for at least 48 hours before use. Reassemble the door on the hinges if you uninstall it and readjust the airtightness.

What to do in case of Chimney Fire

Contact your local authority to know what to do in case of Chimney fire. Keep in mind the procedure in case of chimney fire.

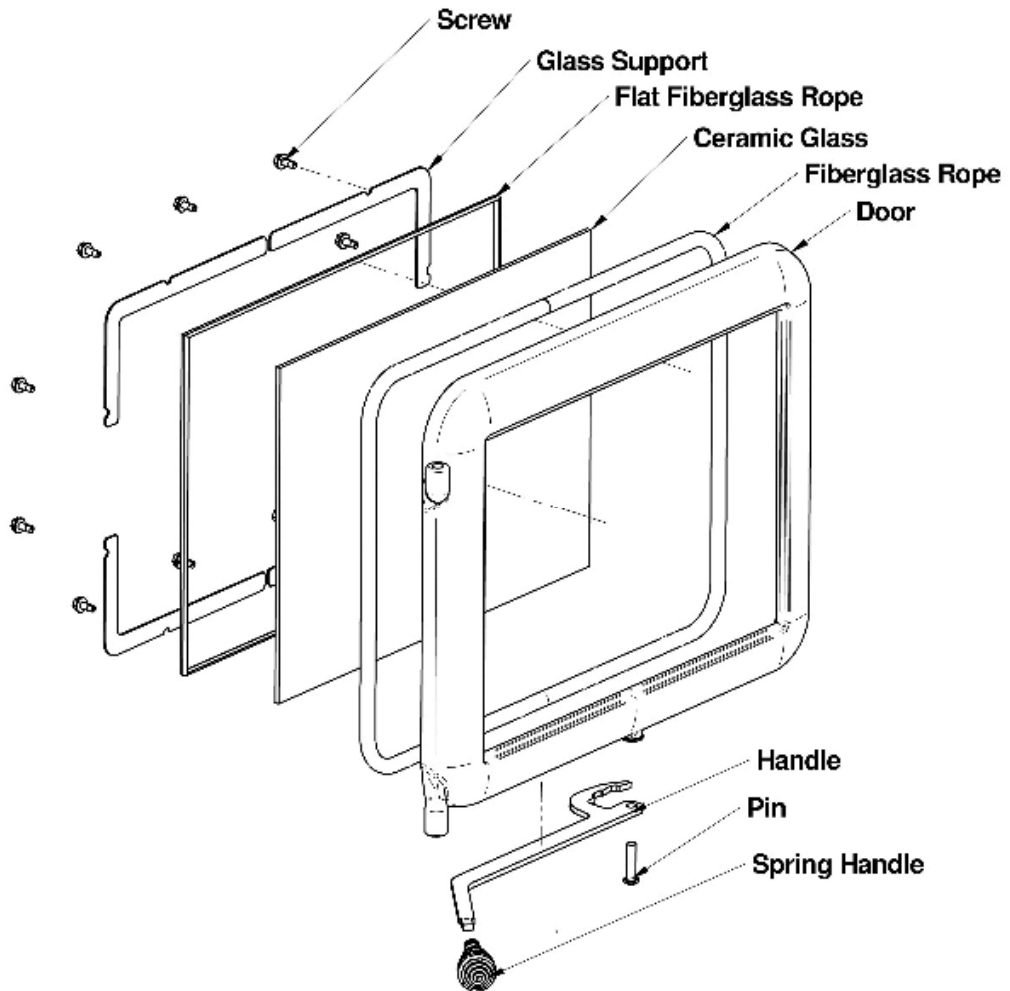
1. Close all the doors, the air intakes and the vent damper
2. Pour water on combustible material around stove.
3. Call the fire department and trigger alarm. Leave the house if necessary.
4. Never touch the chimney and pipes before the fire is completely extinguished.
5. Do not use the chimney before it has been inspected and repaired.

Annex 1

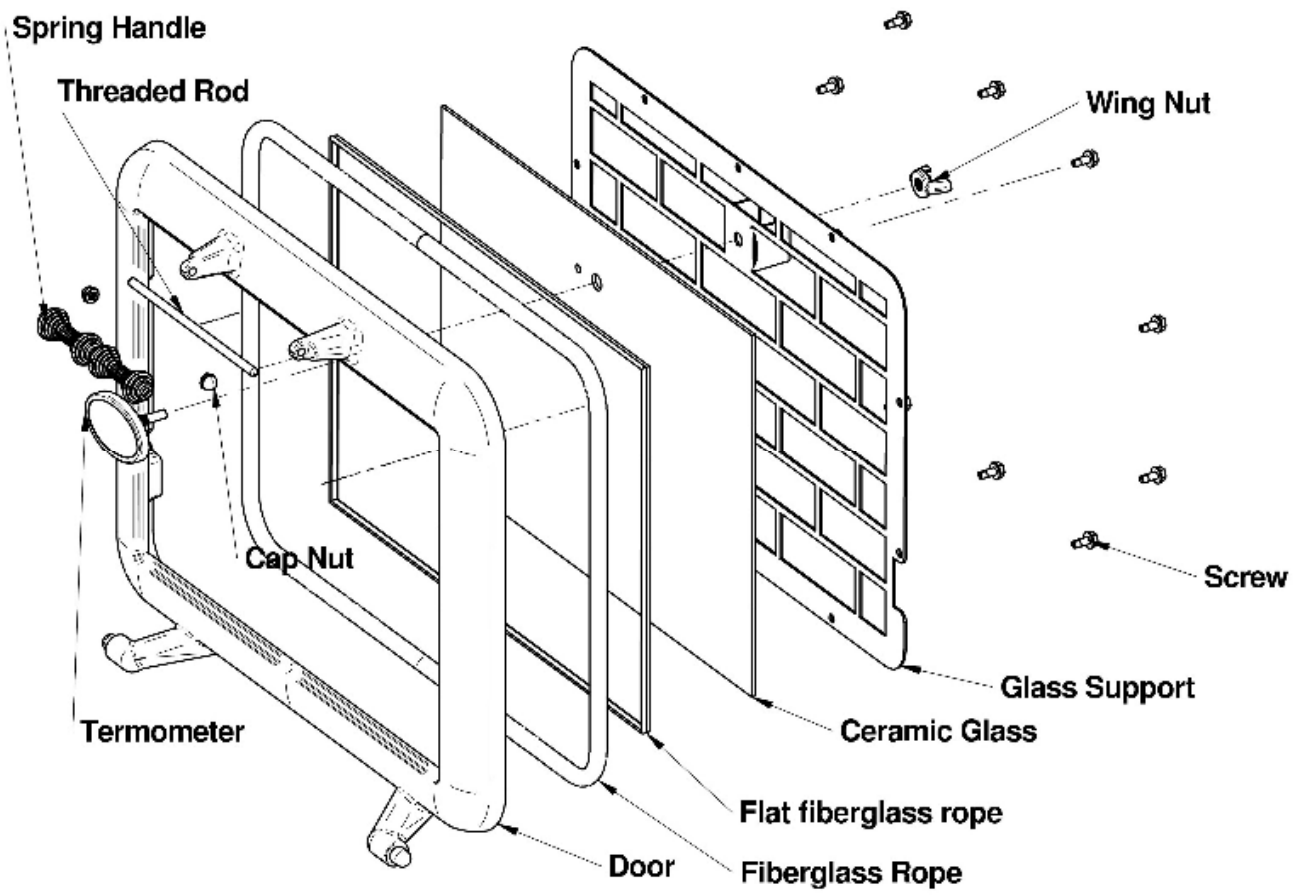
Door assembly

Wood Stove Door

*The same assembly for an arc wood stove



Oven Door



Annexe 2

Replacement parts

- Bricks
- Stove ceramic glass
- Tempered glass oven door
- Spring Handle
- Stove door
- Oven door
- Fans
- Flat glass fiber rope (around glass)
- Round glass fiber rope
- Ash plug
- Slotted Brick Washer

Call your sales representative to order these parts.



STOVES & FIREPLACES



J. A. Roby limited lifetime warranty

WOOD BURNING STOVES & FIREPLACES

J. A. ROBY's warranty only applies to original buyer and is non-transferable. This warranty covers brand new products only, which have not been altered, modified nor repaired since shipment from factory. The products covered by this warranty must be manufactured after review date indicated at the bottom of page. Proof of purchase (dated bill of sale), model name and serial number must be given when making any warranty claim to your J. A. ROBY dealer. Registering your warranty is not required.

The appliance must be installed by an authorized service technician or contractor. Installation must be done in accordance with the installation instructions included with the product and all local and national building and fire codes. Any service call related to an improper installation is not covered by this warranty. This warranty applies to normal residential use only. This limited warranty does not cover damages caused by misuse, improper installation, lack of maintenance, accident during transportation, alterations, power failure, venting problems, downdrafts, abuse, over firing or neglect. Operating the appliance on high for extended periods of time is neglect. Any defect or damage caused by the use of unauthorized parts or others than original parts voids this warranty.

This limited warranty does not cover any scratch, corrosion, warping or discoloration. The manufacturer may require that defective products be returned and/or that digital pictures be provided to support the claim. Returned products are to be shipped prepaid to the manufacturer for investigation. If a product is found to be defective, the manufacturer will repair or replace such defect. The transportation fees to ship back the product to the purchaser will be paid by the manufacturer². The external labour fees related to warranty repair are not covered. The manufacturer may, at its discretion, decide to repair or replace any part or unit after inspection and investigation of the defect. The manufacturer may, at its discretion, fully discharge all obligations with respect to this warranty by refunding to the original warranted purchaser the wholesale price of any warranted but defective part (s). The manufacturer shall not in no event be liable for any special, indirect or consequential damages of any nature whatsoever which exceeds the original purchase price of the product. All parts replaced under this limited lifetime warranty are subject to a single claim.

Any damage to the appliance, combustion chamber, heat exchanger, enameled cast iron cooking plate or other components due to water, weather damage, long periods of dampness, condensation, damaging chemical or cleaner will not be the responsibility of J. A. ROBY. Failure of any components which is attributed to poor maintenance, is not warrantable and will not be covered by this policy. J.A. ROBY neither assumes, nor authorizes any third party to assume, on its behalf, any other liabilities with respect to the sale of this product.

The manufacture of your new appliance and the following materials are warranted against defects as mentioned below:

WARRANTY DESCRIPTION	100%	50% current retail price
Ashtray, handles, doors and cast iron legs	Life	
Combustion chamber	5 years	From 5 years to life
Secondary air tubes	5 years	
Heat exchanger	2 years	From 2 years to life
Switches, Therm-O-Disc, wiring and electrical components, standard blowers and rheostat	2 years	
Tempered glass, optional blower and gasket	1 year	
Ceramic glass (thermal breakage only ¹)	1 year	
Replacement parts (with proof of purchase)	90 days	

Due to on-going product improvements, all specifications and design are subject to change without prior notice.

Before shipping your unit or defective component to our plant, you must obtain from J. A. ROBY dealer an authorization number. Any merchandise shipped to our plant without authorization will be refused automatically and returned to sender.

1= Digital pictures required 2= Shipping cost are not covered outside CANADA

Review oct. 2014