

SUPER INSERT LE

INSERT for medium spaces

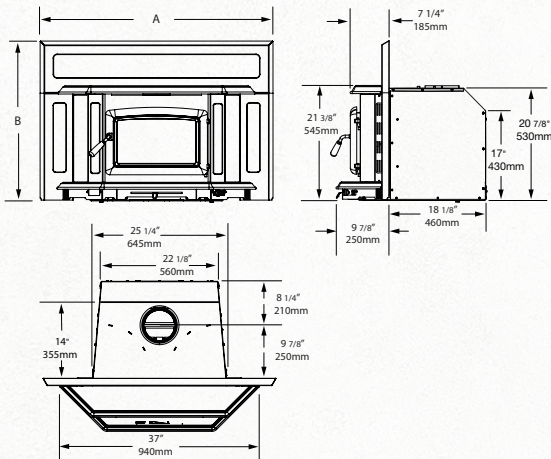
Heat Output Cord Wood

72,000 BTU

38,200 BTU EPA Test Fuel

Efficiency (HHV)	71.3%
Emissions	1.8 gm/hr.
Log Size (recommended)	16"
Log Size (max)	18"
Firebox Size	2.1 cu.ft.
Glass Viewing Area	122 sq.in.

The Super Insert LE offers same great features and performance of the Pacific Insert but with a more refined look and designed to fit tighter fireplaces. The Super Insert LE, with its large ceramic glass door, gives you the full comfort and view of your log fire. Transform your drafty fireplace into an easy-to-light, easy-to-load reliable source of heat with the convenience of one-touch adjustable temperature control.



CATALYTIC-FREE TECHNOLOGY

MORE DURABLE

MORE RELIABLE

EASIER TO OPERATE

EPA 2020
CERTIFIED

2
GRAMS
PER
HOUR
OR LESS

STANDARD FEATURES

- EPA 2020 Certified
- Reliable, Durable Catalytic-Free Technology
- Extended Burn Technology (EBT)
- Air wash system for super clean ceramic glass
- Floating firebox for extended stove life
- 304 Stainless Steel Baffle, insulation cover, rails and flame shield
- Removable flue collar for easier installation
- Boost air for easy lighting
- Rich Metallic black finish
- Cast iron warming shelf & ash lip
- Inside and outside combustion air capable
- Single-Lever Air Control
- Two temperature-actuated variable-speed blowers
- 6" flue outlet
- North-South fuel loading

DESIGN OPTIONS

- Arched door: choice of three finishes
- Embossed Surround, Standard Size (43 3/8" x 29 3/16")
- Embossed Surround, Oversize (48" x 33")

AIR WASH
A SYSTEM BY PACIFIC ENERGY

BAFFLE SYSTEM

EBT EXTENDED BURN
TECHNOLOGY

FLOATING FIREBOX

KNIFE EDGE DOOR

SINGLE LEVER
AIR CONTROL

DESIGN-A-FIRE
UN SYSTEME DE PACIFIC ENERGY

For reference only. Installations should be based on installation manuals. Specifications subject to change.