

CAST IRON OVER STEEL



T5 INSERT LE

T5 INSERT CLASSIC LE

WOOD INSERT for medium spaces

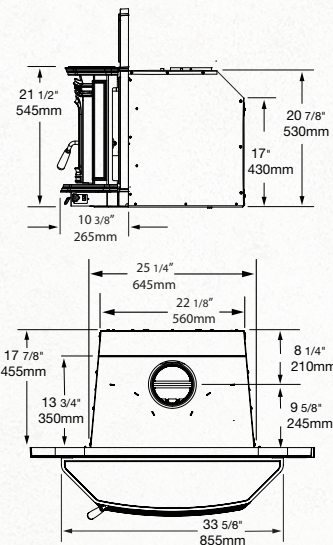
Heat Output Cord Wood

72,000 BTU

38,200 BTU EPA Test Fuel

Efficiency (HHV)	71.3%
Emissions	1.8 gm/hr.
Log Size (recommended)	16"
Log Size (max)	18"
Firebox Size	2.1 cu.ft.
Glass Size	196 sq.in

Transform your fireplace into an efficient heating system with traditional cast iron styling of the T5 Insert LE, or the beauty and charm of the T5 Classic Insert LE in lustrous porcelain enamel. Designed to deliver efficient combustion and controlled heat, T5 Inserts raise the burn temperature while extending the burn time, providing more heat from less fuel. Like all Pacific Energy inserts they are easy to light, easy to use, and provide a clear view of the flame. With a variable speed fans, clean-glass airwash technology and heavy-gauge overbuilt construction, the T5 Inserts LE will provide many years of comfort and enjoyment.



ALDERLEA T5 INSERT LE



ALDERLEA T5 INSERT CLASSIC LE

CATALYTIC-FREE TECHNOLOGY

MORE DURABLE

MORE RELIABLE

EASIER TO OPERATE

EPA 2020
CERTIFIED

2
GRAMS
PER
HOUR
OR LESS

STANDARD FEATURES

- EPA 2020 Certified
- Reliable, durable catalytic-free technology
- EBT Extended Burn Technology
- Air wash system for super clean ceramic glass
- Inside and outside combustion air capable
- Floating firebox for extended stove life
- Easy and safe front to back fuel loading
- 304 Stainless Steel baffle, insulation cover, and rails
- Two 80 cfm temperature actuated variable speed blowers
- Single-Lever Air Control
- North-South loading

DESIGN OPTIONS

- Rich Metallic Black finish (Alderlea T5 Insert LE)
- Choice of two porcelain enamel finishes (Alderlea T5 Classic Insert LE)
- Embossed Surround, Standard Size (42 1/2" x 30 3/8")
- Embossed Surround, Oversize (42 1/2" x 34 1/8")

CAST IRON OVER STEEL

AIR WASH
A SYSTEM BY PACIFIC ENERGY

BAFFLE SYSTEM

EBT EXTENDED BURN
TECHNOLOGY

FLOATING FIREBOX

KNIFE EDGE DOOR

SINGLE LEVER
AIR CONTROL



WWW.PACIFICENERGY.NET

For reference only. Installations should be based on installation manuals. Specifications subject to change.