

I Series



34 FID L
(shown with porcelain panels and driftwood)

MONTIGO[®]
the art of **fireplaces**

Renovate. Revamp. Rejuvenate

Adding supplementary heat to your home doesn't mean you have to sacrifice your tastes or a beautiful fire. We have taken the bright bold flames Montigo is known for and created a new generation of gas inserts.

Design Versatility

Designed for spaces that are traditional, contemporary or somewhere in between. Choose your style, size and accessories to create your perfect fireplace insert.

Burner Technology

The traditional burner has been cast in ceramic to produce a realistic fire bed with glowing embers. With porcelain trim, the concealed ribbon burner provides an elegantly modern flame.

High Efficiency

Models	P4.1-15	
	NG	LP
30FID-S	78.8%	80.1%
30FID-L	77.6%	79%
34FID-S	81.1%	82%
34FID-L	77.4%	78.5%

Serviceability

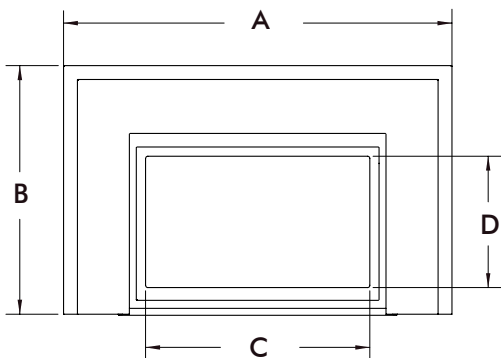
Created with serviceability in mind. All routine service items can be preformed with easy access to the control system and without the use of specialty tools.

Our Guarantee

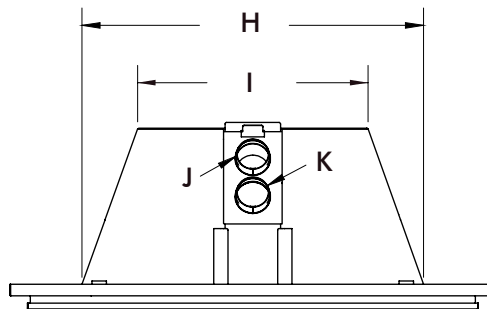
Rest assured our uncompromising quality and long-term reliability is backed by our 10-year limited warranty.

Unit Specs

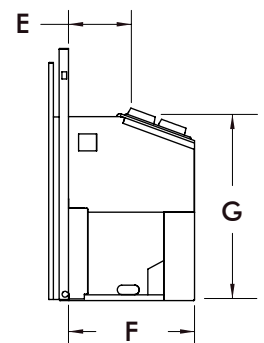
	BTUs		Unit Dimensions										
	NG	LP	A	B	C	D	E	F	G	H	I	J	K
30FID	24,000	23,000	42"	26 ⁷ / ₈ "	24 ¹ / ₄ "	14 ¹ / ₄ "	6 ³ / ₄ "	13 ¹ / ₂ "	20"	29 ¹ / ₂ "	19 ⁷ / ₈ "	3"	3"
34FID	31,000	30,000	46 ¹ / ₂ "	31"	28"	17 ¹ / ₂ "	6 ³ / ₄ "	15"	23 ³ / ₄ "	33 ¹ / ₂ "	23 ⁷ / ₈ "	3"	4"



Front View



Top View



Side View

Styling Options

Linear Model

- Concealed ribbon burner
- Porcelain panels and media tray
- In burner accent lighting
- Variety of interchangeable media options



Traditional Model

- Choice of glossy porcelain panels or brick lining available in red or brown
- High definition cast fiber logset ceramic burner
- Accent lighting



I Series



30FID-L
(shown with porcelain panels)

Features

- Highly efficient firebox design
- Choice of satin black surrounds
- Direct Vent utilizing co-linear venting
- Tool free access to the control system
- Accent lighting
- Hidden pilot design
- Integrated barrier safety screen
- Multiple styling options
- Remote control operation
- Optional high output variable fans

Consult the owner's manual for complete installation instructions, product dimensions and proper clearances to combustible surfaces prior to installing fireplace. All specifications, framing dimensions, product designs, materials and colors are subject to change without notice. The actual flame pattern and color may vary slightly from the illustrations. Diagrams and illustrations are not to scale. Options & accessories may have associated surcharge.

Available at:

WARNING

Some materials used in the manufacturing process of this product can expose you to Benzene which is known in the State of California to cause cancer and birth defects or other reproductive harm. For more information go to www.P65warnings.ca.gov

ARCAT
Printed in Canada

MONTIGO
the art of fireplaces®



P/N XB2508

170510